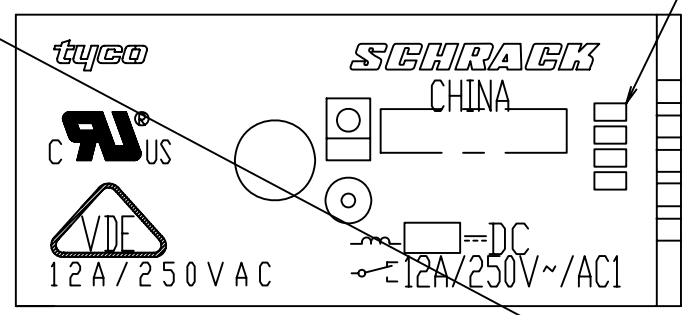


THIS DRAWING IS UNPUBLISHED. RELEASED FOR PUBLICATION
 ©COPYRIGHT BY TYCO ELECTRONICS CORPORATION. ALL RIGHTS RESERVED.

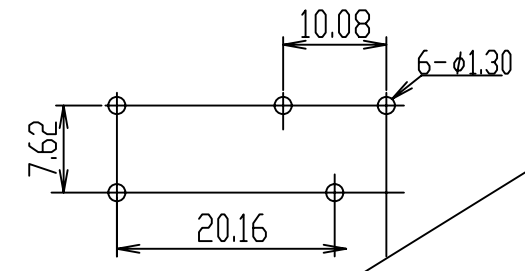
LOC	HH	DIST	REVISIONS						
			P	LTR	DESCRIPTION	ECO	DATE	DWN	APVD
			C		ADD NOTE	ECO-09-015715	6-JUL-09	LUB	ZHANG



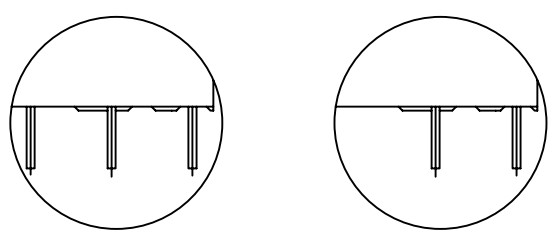
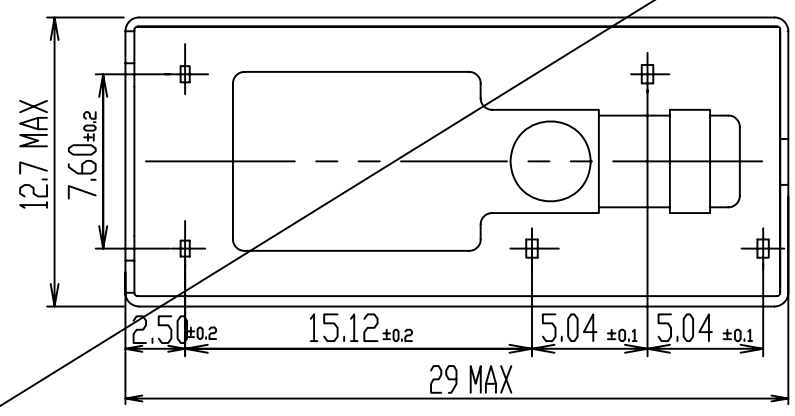
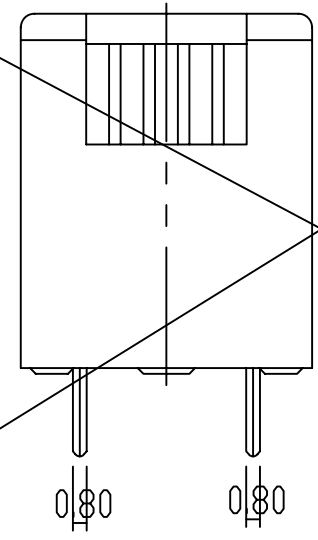
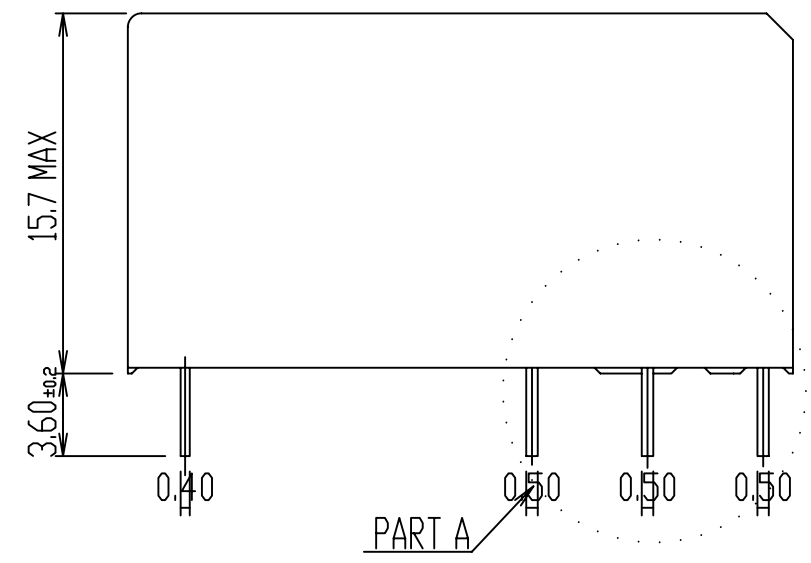
CONNECTION DIAGRAM (BOTTOM VIEW)



PCB LAYOUT (BOTTOM VIEW)



NOTE
 1. SUFFIX "AP" NOT MARKED ON RELAYS COVER (CASE) MEANS PACKAGING ONLY.



C/O NO

PART A

PART NO	DESCRIPTION	ITEM
3-1649327-6	RT234110AP	36
3-1649327-5	RT234060AP	35
3-1649327-4	RT234048AP	34
3-1649327-3	RT234024AP	33
3-1649327-2	RT234018AP	32
3-1649327-1	RT234012AP	31
3-1649327-0	RT234009AP	30
2-1649327-9	RT234006AP	29
2-1649327-8	RT234005AP	28
2-1649327-7	RTC34110AP	27
2-1649327-6	RTC34060AP	26
2-1649327-5	RTC34048AP	25
2-1649327-4	RTC34024AP	24
2-1649327-3	RTC34018AP	23
2-1649327-2	RTC34012AP	22
2-1649327-1	RTC34009AP	21

PART NO	DESCRIPTION	ITEM
2-1649327-0	RTC34006AP	20
1-1649327-9	RTC34005AP	19
1-1649327-8	RT214110AP	18
1-1649327-7	RT214060AP	17
1-1649327-6	RT214048AP	16
1-1649327-5	RT214024AP	15
1-1649327-4	RT214018AP	14
1-1649327-3	RT214012AP	13
1-1649327-2	RT214009AP	12
1-1649327-1	RT214006AP	11
1-1649327-0	RT214005AP	10
1649327-9	RTC14110AP	9
1649327-8	RTC14060AP	8
1649327-7	RTC14048AP	7
1649327-6	RTC14024AP	6
1649327-5	RTC14018AP	5
1649327-4	RTC14012AP	4
1649327-3	RTC14009AP	3
1649327-2	RTC14006AP	2
1649327-1	RTC14005AP	1

RELAY TYPE

OBSOLETE

APVD BY SCHRACK:

Diagram dimension	Tolerance
0.99mm max.	±0.1mm
1 - 2.99mm	±0.2mm
3mm min.	±0.3mm

THIS DRAWING IS A CONTROLLED DOCUMENT FOR TYCO ELECTRONICS CORPORATION IT IS SUBJECT TO CHANGE AND THE CONTROLLING ENGINEERING ORGANIZATION SHOULD BE CONTACTED FOR THE LATEST REVISION.

DIMENSIONS: mm	TOLERANCES UNLESS OTHERWISE SPECIFIED:	DWN	H.XIAO	 SCHRACK
	0 PLC ±	CHK	T.FUKAYA	
	1 PLC ±	APVD	M.J.HO	
	2 PLC ±	PRODUCT SPEC	NAME	
	3 PLC ±	APPLICATION SPEC	SIZE	A3
	4 PLC ±	WEIGHT	CAGE CODE	00779
	ANGLES ±	CUSTOMER DRAWING	DRAWING NO	1649327
MATERIAL	FINISH	RESTRICTED TO	SCALE	3:1
SEE MATERIAL TABLE			SHEET	1 OF 2
			REV	C

