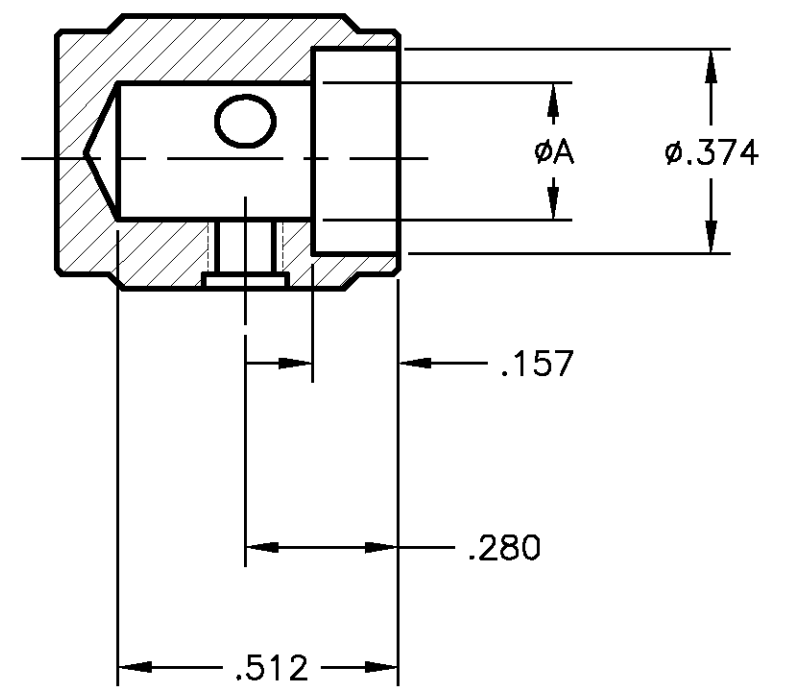
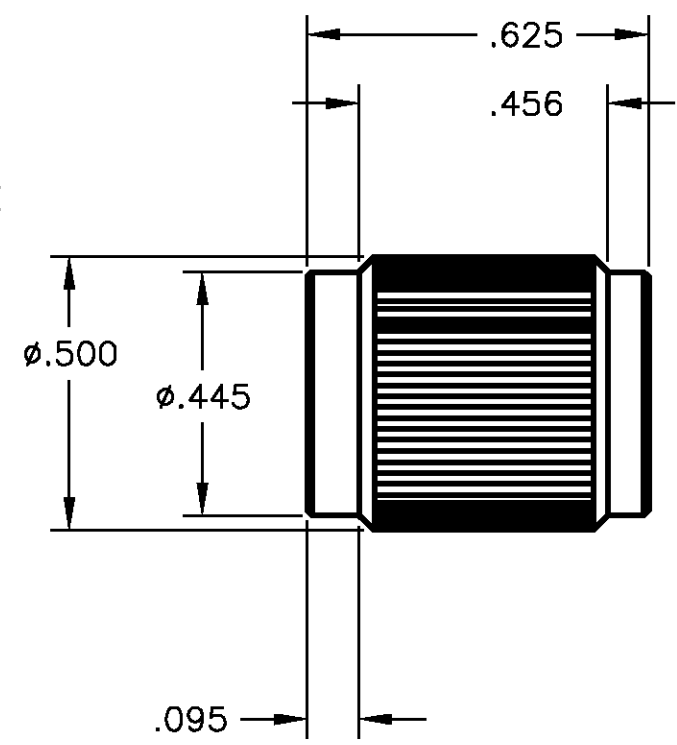
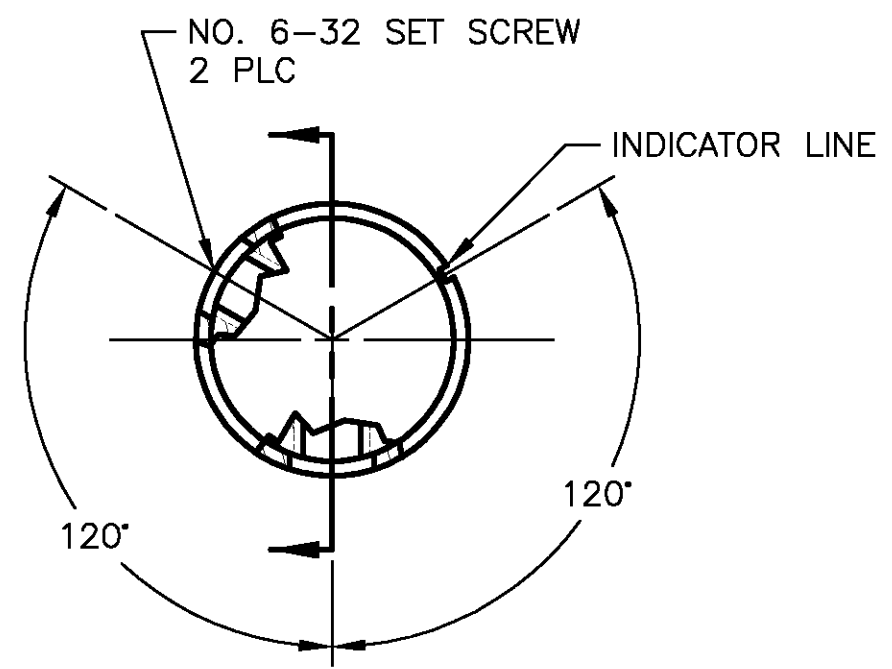


LOC	DIST	REVISIONS					
AD	00	P	LTR	DESCRIPTION	DATE	DWN	APVD
			A	REV PER EC OG3C-425-02	03DEC02	MB	MZ



- 1 KNOB: ALUMINUM; SET SCREWS: STAINLESS STEEL
- 2 FINISH: ANODIZED - SEE TABLE
- 3. WAS DRAWING NUMBER 80253

.251	NONE	BLACK	BLACK	KN500B1/4NL	1571193-1
	WHITE	NATURAL	BLACK	KN500BA1/4	4-1437622-8
	BLACK	BLACK	NATURAL	KN500AB1/4	4-1437622-4
	WHITE	BLACK	BLACK	KN500B1/4	4-1437622-6
	BLACK	NATURAL	NATURAL	KN500A1/4	4-1437622-2
.126	WHITE	NATURAL	BLACK	KN500BA1/8	4-1437622-9
	BLACK	BLACK	NATURAL	KN500AB1/8	4-1437622-5
	WHITE	BLACK	BLACK	KN500B1/8	4-1437622-7
	BLACK	NATURAL	NATURAL	KN500A1/8	4-1437622-3
A	INDICATOR LINE	TOP COLOR	BODY	MODEL NUMBER	PART NUMBER

THIS DRAWING IS A CONTROLLED DOCUMENT.		DWN M.BINNER	03DEC02	Tyco Electronics Corporation Harrisburg, PA 17105	
DIMENSIONS: INCHES		CHK M.ZITTO	-	NAME	
		APVD M.ZITTO	-	KNOB, STRAIGHT KNURL HAIRLINE INDICATOR (KN-500)	
TOLERANCES UNLESS OTHERWISE SPECIFIED:		PRODUCT SPEC	-	SIZE	CAGE CODE
0 PLC ± -	1 PLC ± -	APPLICATION SPEC	-	A3	00779
2 PLC ± -	3 PLC ± .020	WEIGHT	-	DRAWING NO	
4 PLC ± -	ANGLES ± -	CUSTOMER DRAWING	-	4-1437622-6	
MATERIAL		FINISH		RESTRICTED TO	-
				SCALE	3:1
				SHEET	1 OF 1
				REV	A