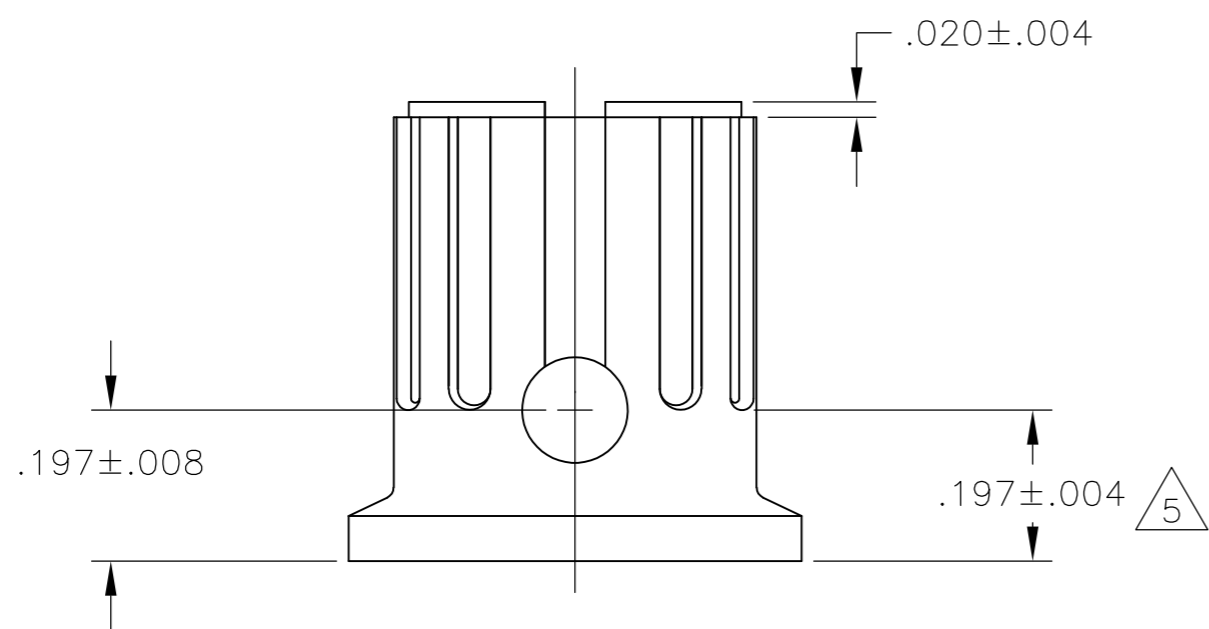
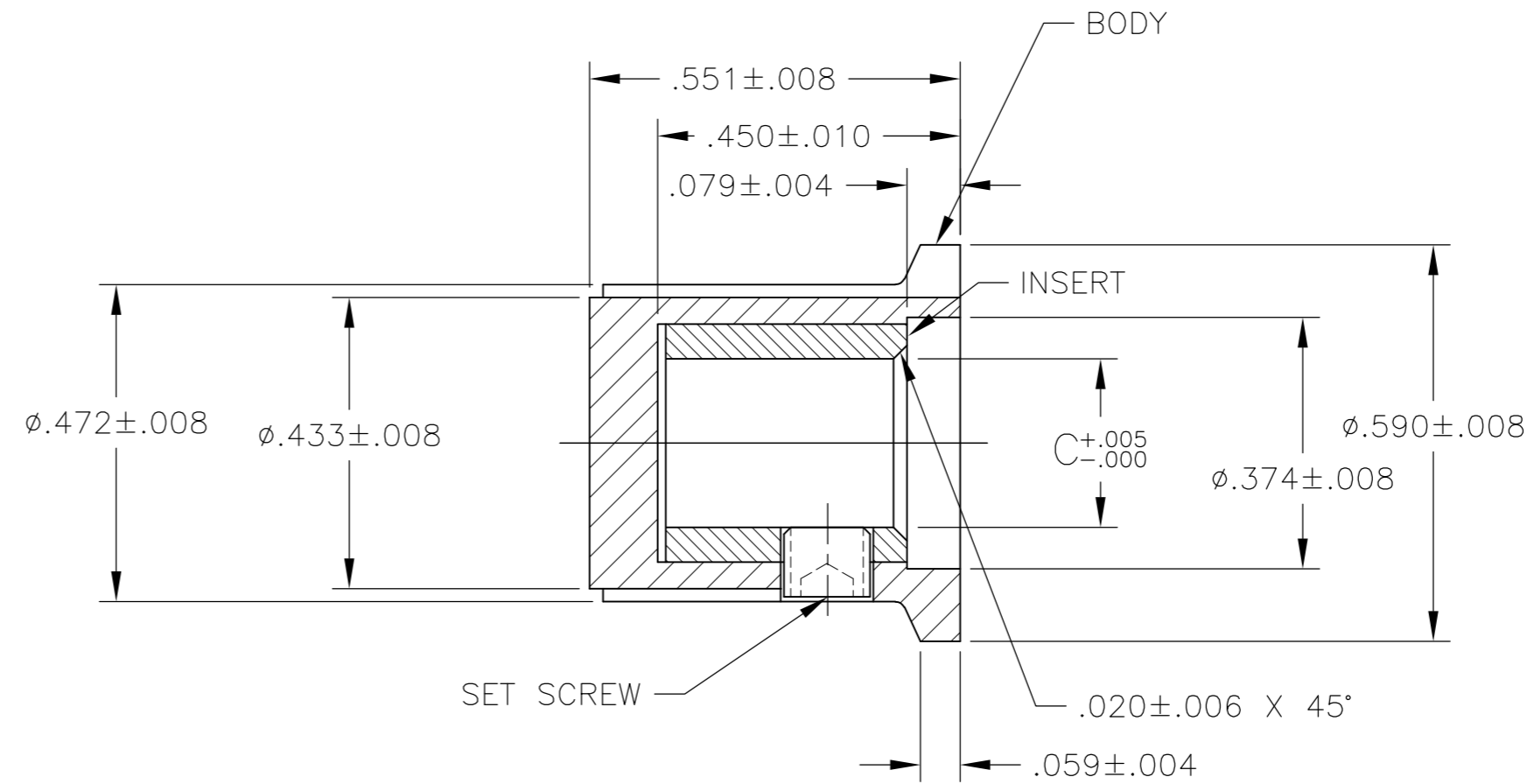
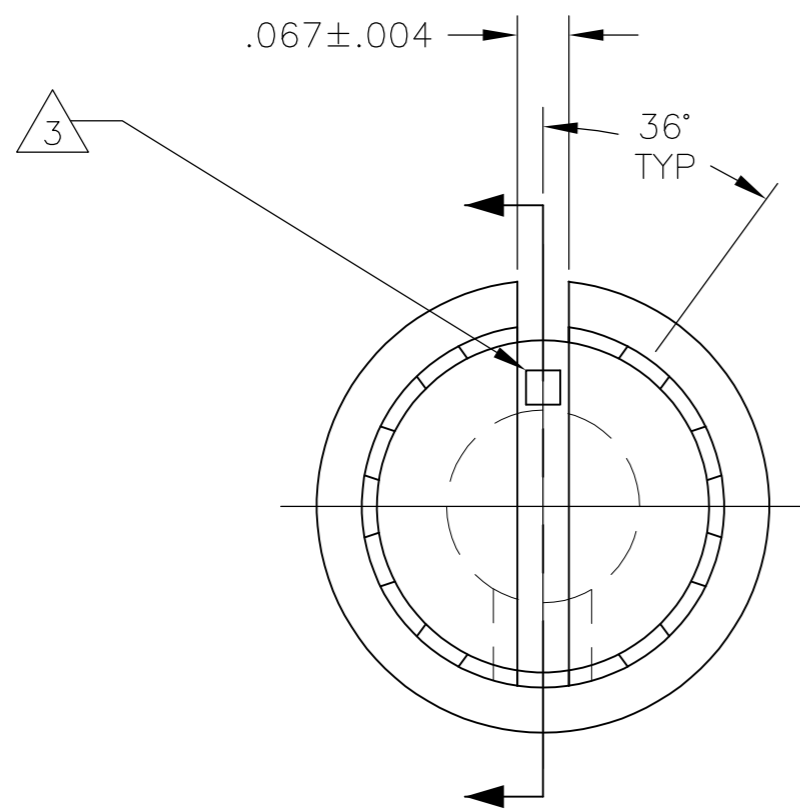


THIS DRAWING IS UNPUBLISHED. RELEASED FOR PUBLICATION  
 © COPYRIGHT BY TYCO ELECTRONICS CORPORATION. ALL RIGHTS RESERVED.

REVISIONS				DATE	DWN	APVD
P	LTR	DESCRIPTION				
	K	ECO-07-026569		09NOV2007	RB	MZ



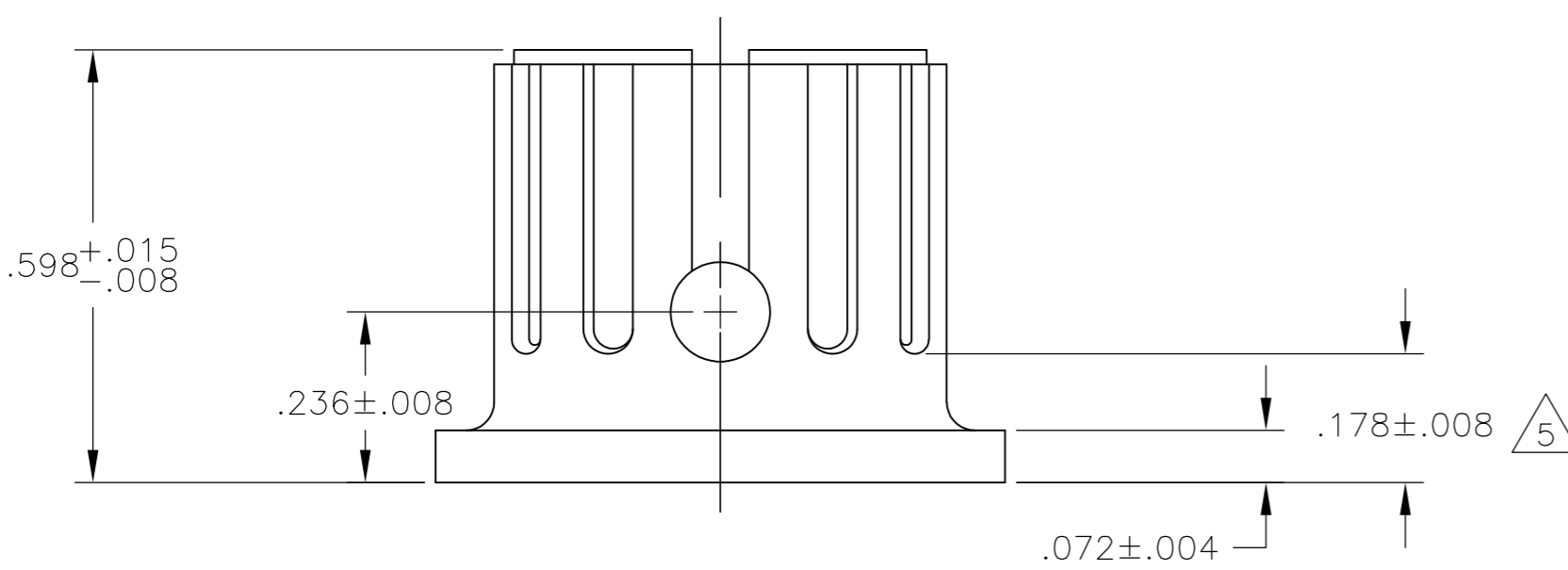
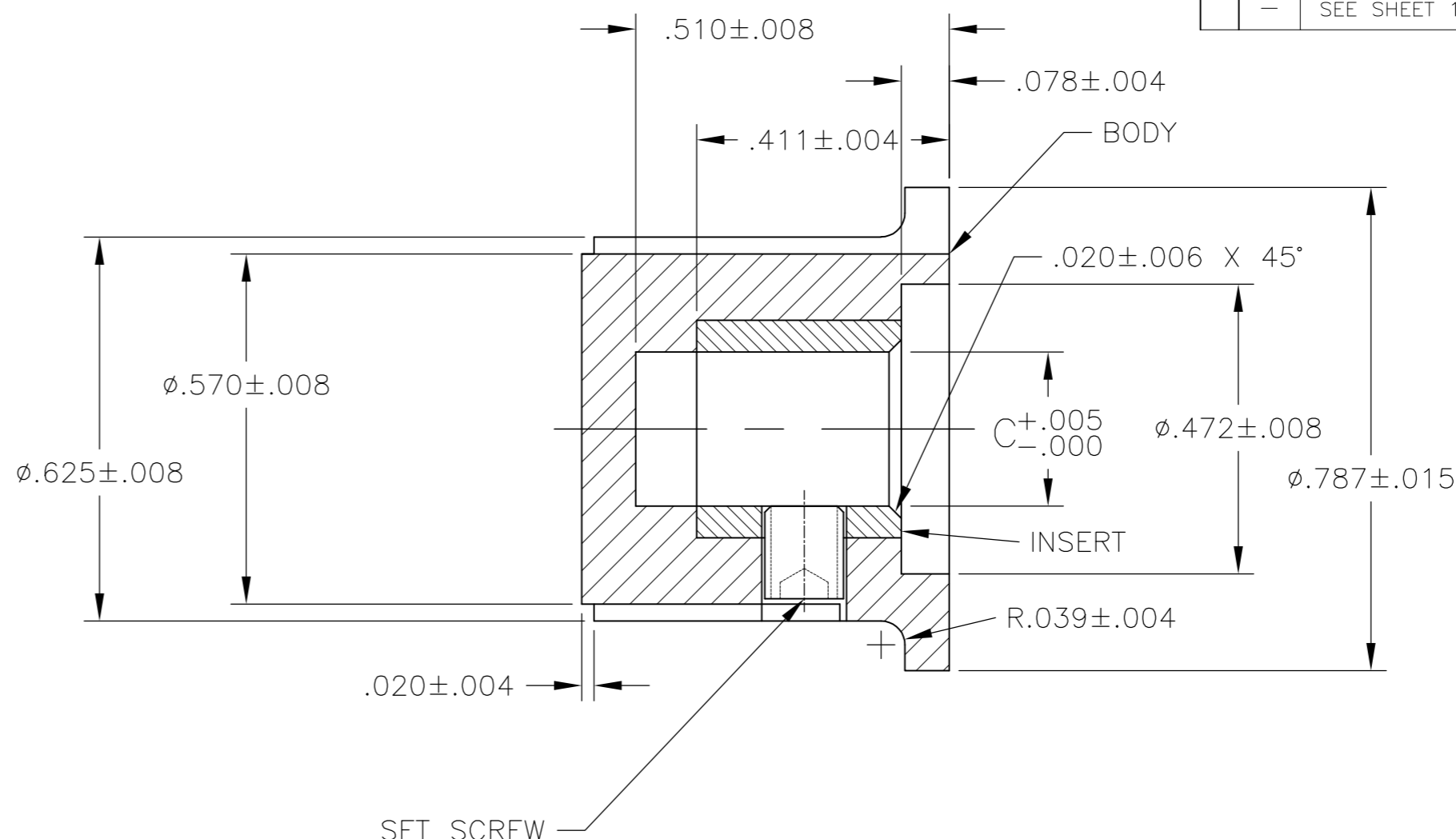
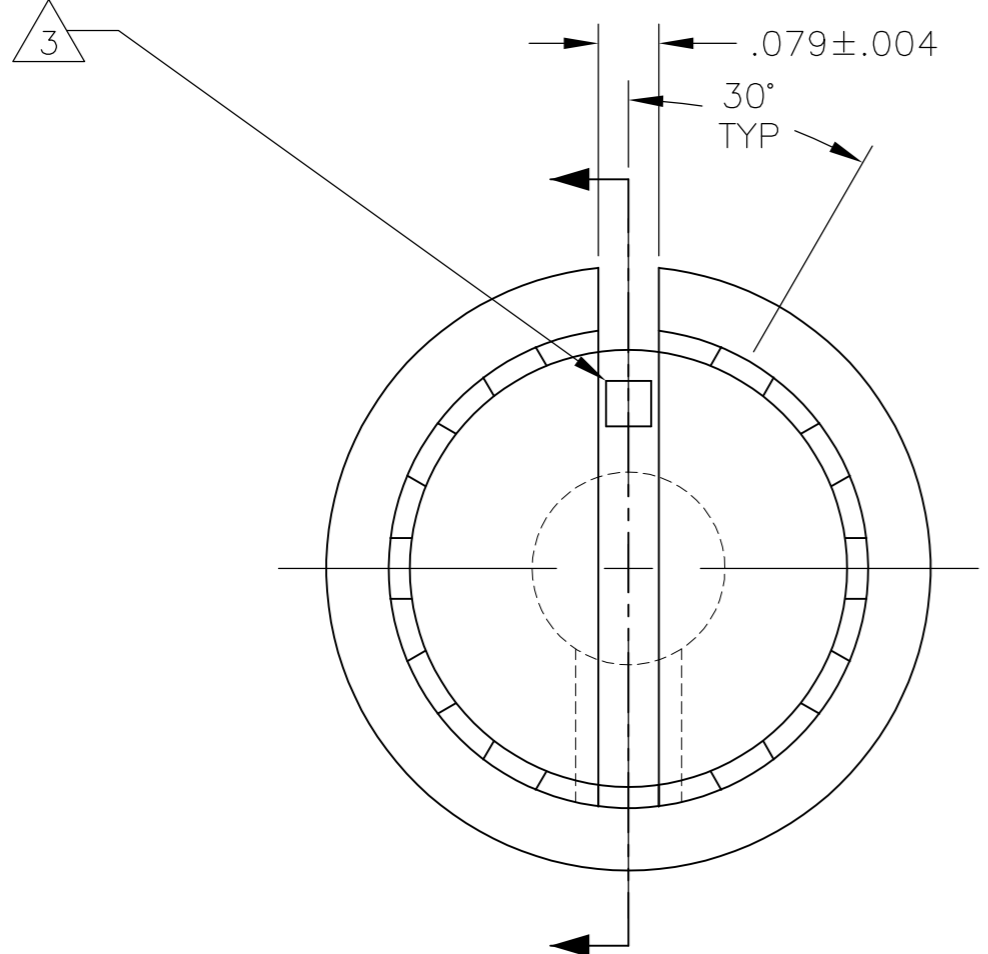
1. MATERIAL AND FINISH:  
 BODY: PHENOLIC, BLACK  
 SET SCREW: 303 STAINLESS STEEL, BLACK ANODIZED  
 INSERT: BRASS
2. SET SCREWS ARE UNC-2A, CUP POINT, HEX HEAD TYPE. LENGTH TOLERANCE OF ALL SET SCREWS TO BE ±.010
3. INDICATOR, PAINTED FULL, COLOR: WHITE; .030±.010 DEEP
4. RETENTION FORCE OF INSERT IN KNOB BODY: 2 LBS MIN.
5. DIMENSION DOES NOT APPLY TO SET SCREW COUNTERBORE.

#4-40 X .187	.251	-	1571682-1
#4-40 X .125	.126	PKX50B1/8	1-1437625-5
#4-40 X .125	.251	PKX50B1/4	1-1437625-4
2 SET SCREW	C SHAFT HOLE	MODEL NUMBER	PART NUMBER

DIMENSIONS:		TOLERANCES UNLESS OTHERWISE SPECIFIED:		DWN		12MAR03	
INCHES		0 PLC	± -	M.BINNER		Tyco Electronics Corporation Harrisburg, PA 17105	
		1 PLC	± -	CHK	-	PKX SERIES KNOB	
		2 PLC	± -	APVD	-	-	
		3 PLC	± .004	PRODUCT SPEC	-	-	
		4 PLC	± -	APPLICATION SPEC	-	-	
		ANGLES	± 2°	WEIGHT	-	SIZE	CAGE CODE
MATERIAL	-	FINISH	-	CUSTOMER DRAWING	-	A2	00779
						DRAWING NO	RESTRICTED TO
						C=1-1437625-1	-
						SCALE	SHEET
						1:1	1 OF 6
						REV	K

THIS DRAWING IS UNPUBLISHED. RELEASED FOR PUBLICATION  
 © COPYRIGHT BY TYCO ELECTRONICS CORPORATION. ALL RIGHTS RESERVED.

REVISIONS				DATE	DWN	APVD
P	LTR	DESCRIPTION				
-	-	SEE SHEET 1	-	-	-	-



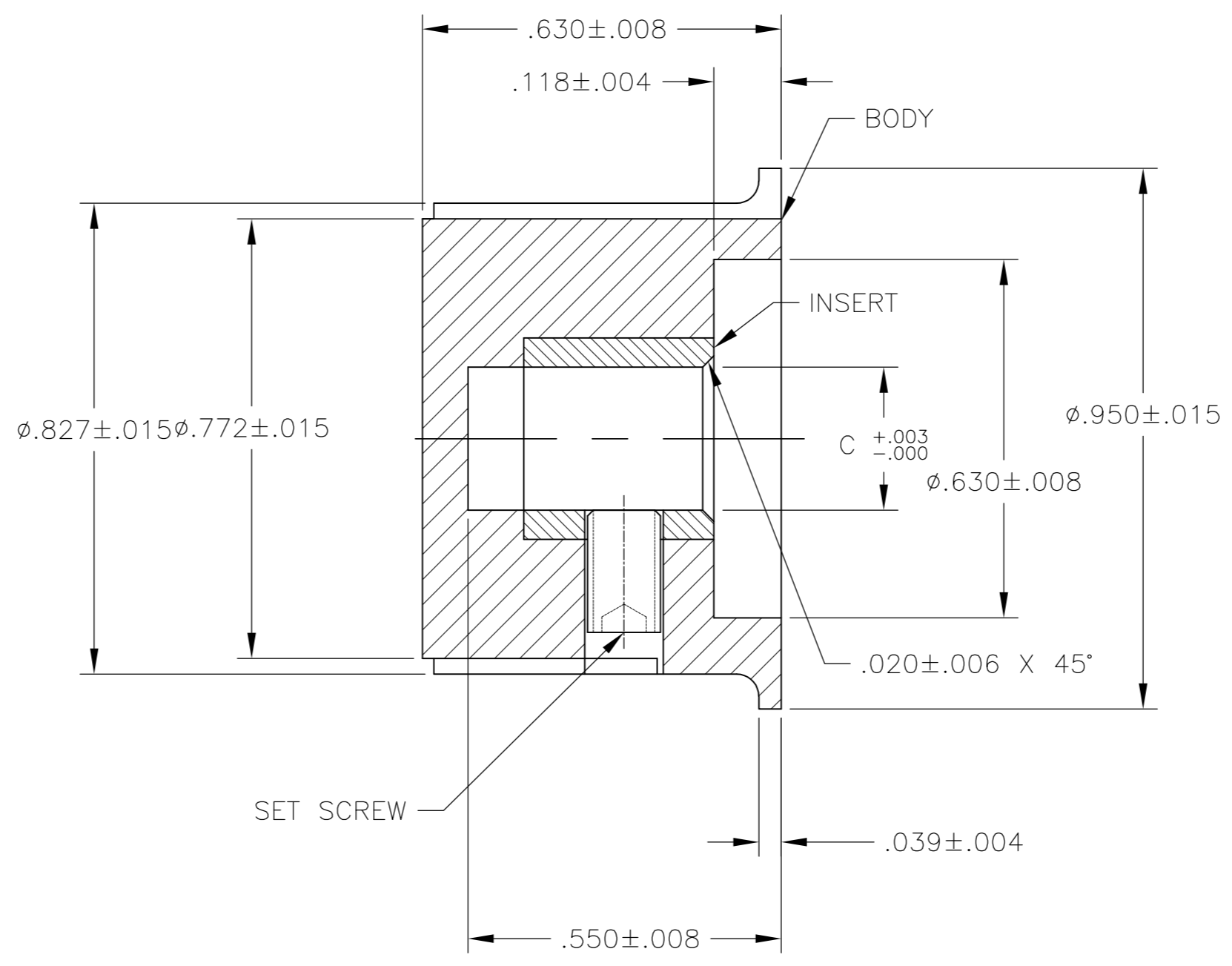
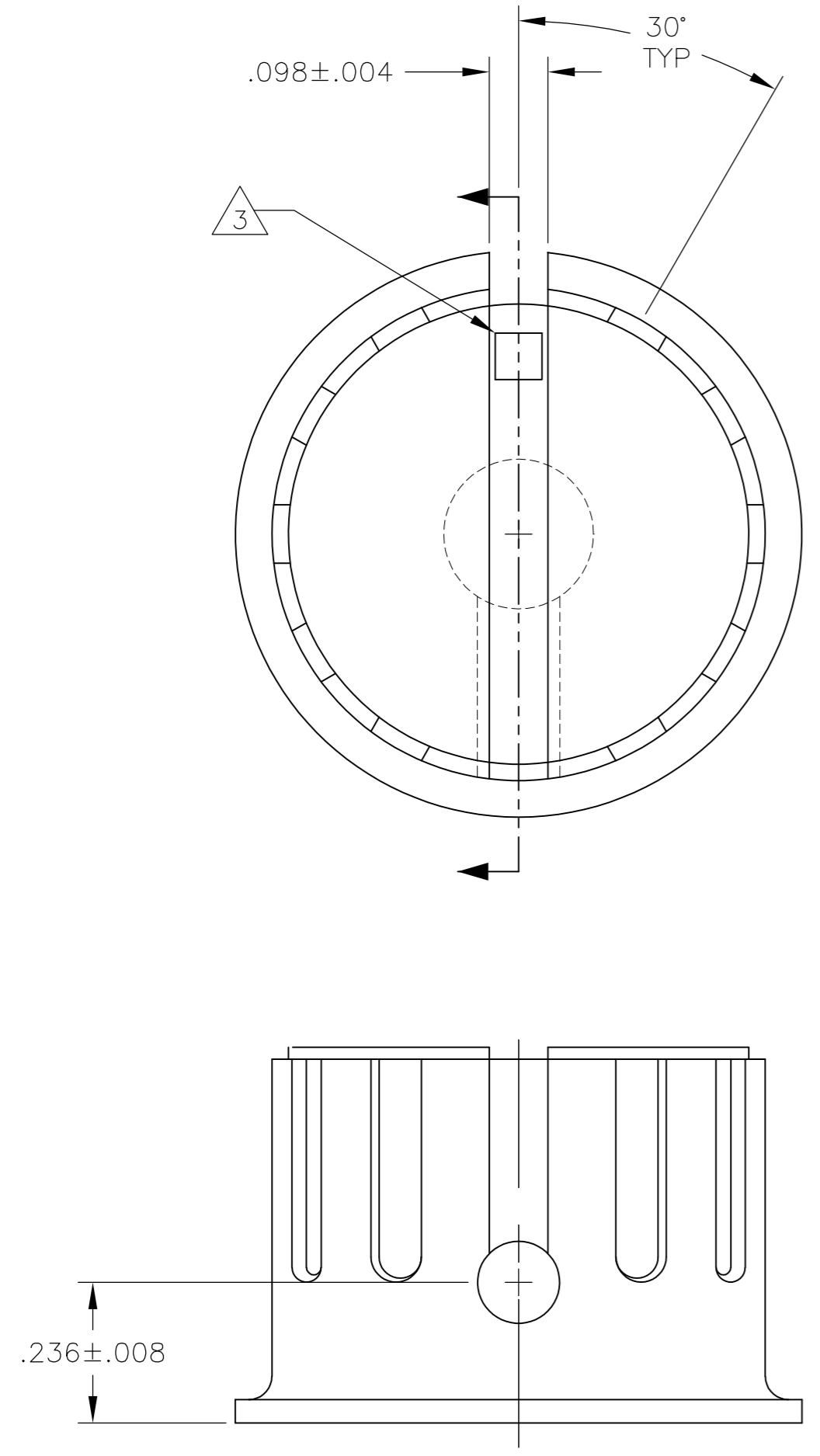
#6-32 X .125	.126	PKX60B1/8	1-1437625-7
#6-32 X .125	.251	PKX60B1/4	1-1437625-6
SET SCREW		MODEL NUMBER	PART NUMBER
		SHAFT HOLE	

THIS DRAWING IS A CONTROLLED DOCUMENT.		DWN	12MAR03	Tyco Electronics Corporation Harrisburg, PA 17105	
DIMENSIONS: INCHES		CHK	-	PKX SERIES KNOB	
TOLERANCES UNLESS OTHERWISE SPECIFIED:		APVD	-	-	
0 PLC ± -		PRODUCT SPEC	-	-	
1 PLC ± -		APPLICATION SPEC	-	-	
2 PLC ± -		WEIGHT	-	SIZE	A2
3 PLC ± .004		CUSTOMER DRAWING		CAGE CODE	00779
4 PLC ± -		SCALE		DRAWING NO	1-1437625-1
ANGLES ± 2°		SHEET		RESTRICTED TO	-
FINISH		1:1		REV	K
MATERIAL		SHEET 2 OF 6			

1-1437625-1

THIS DRAWING IS UNPUBLISHED. RELEASED FOR PUBLICATION  
 © COPYRIGHT BY TYCO ELECTRONICS CORPORATION. ALL RIGHTS RESERVED.

LOC	DIST	REVISIONS			
P	LTR	DESCRIPTION	DATE	DWN	APVD
AD	0	SEE SHEET 1	-	-	-



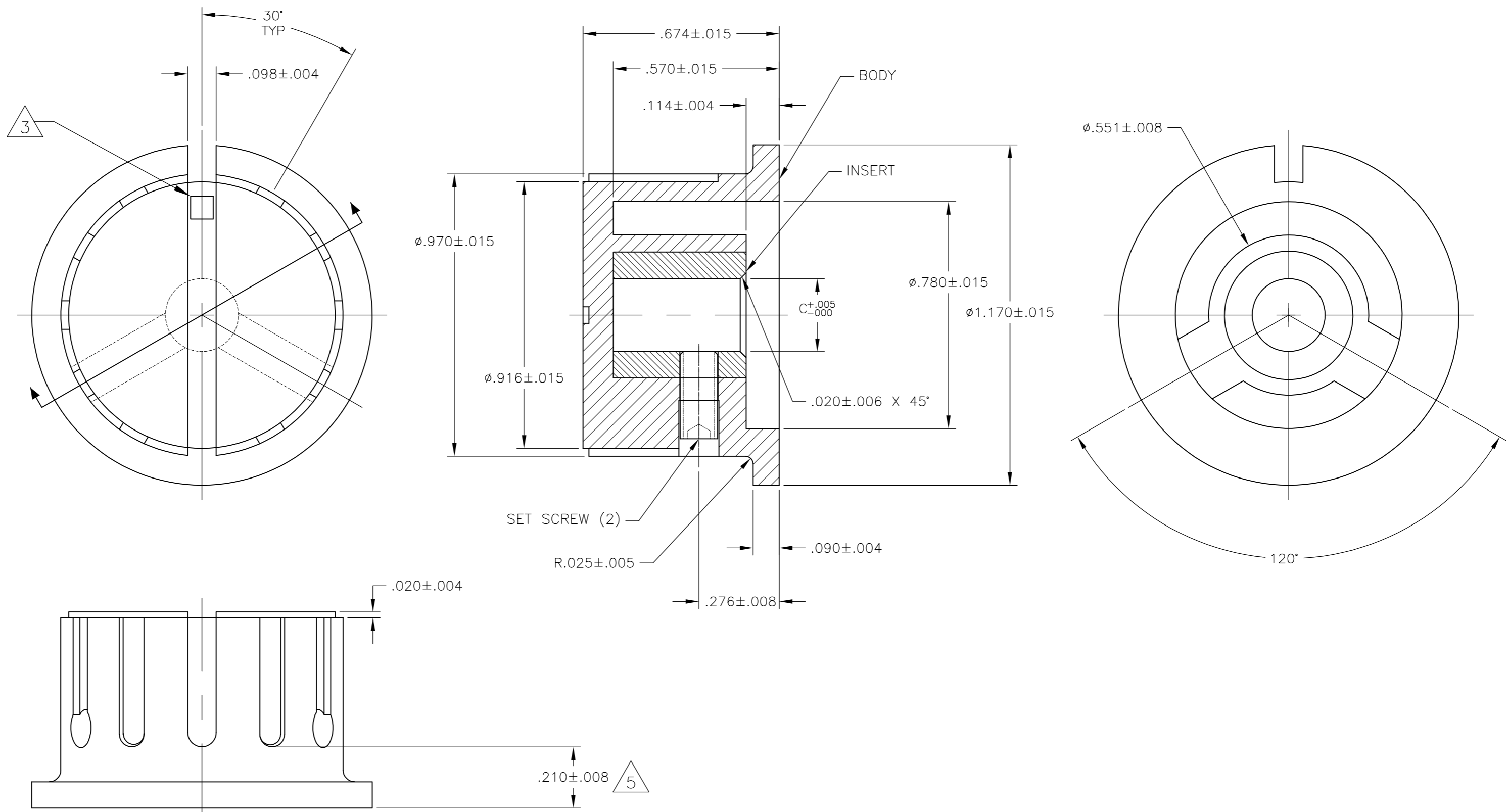
OBSOLETE	#6-32 X .250	.251	PKX80B1/4	1-1437625-8
	SET SCREW		C SHAFT HOLE	MODEL NUMBER
	2			PART NUMBER

THIS DRAWING IS A CONTROLLED DOCUMENT.		DWN	12MAR03	Tyco Electronics Corporation Harrisburg, PA 17105	
DIMENSIONS: INCHES		CHK	-	NAME	
TOLERANCES UNLESS OTHERWISE SPECIFIED:		APVD	-	PRODUCT SPEC	
0 PLC ± -		PRODUCT SPEC	-	APPLICATION SPEC	
1 PLC ± -		APPLICATION SPEC	-	SIZE	CAGE CODE
2 PLC ± -		WEIGHT	-	A2	00779
3 PLC ± .004		CUSTOMER DRAWING	-	DRAWING NO	RESTRICTED TO
4 PLC ± -				C=1-1437625-1	-
ANGLES ± 2°				SCALE	SHEET
FINISH				1:1	3 OF 6
				REV	K

1-1437625-1

THIS DRAWING IS UNPUBLISHED. RELEASED FOR PUBLICATION  
 © COPYRIGHT BY TYCO ELECTRONICS CORPORATION. ALL RIGHTS RESERVED.

LOC		DIST		REVISIONS			
P	LTR	DESCRIPTION	DATE	DWN	APVD		
AD	0	SEE SHEET 1					

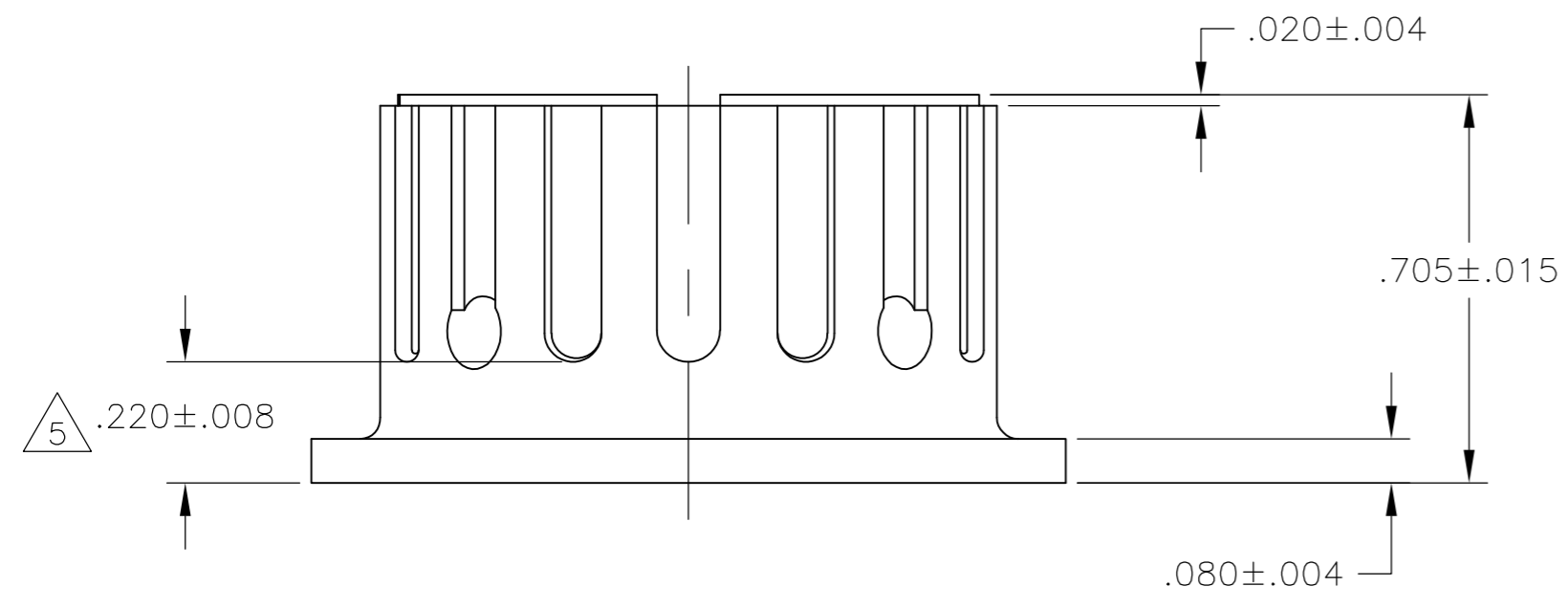
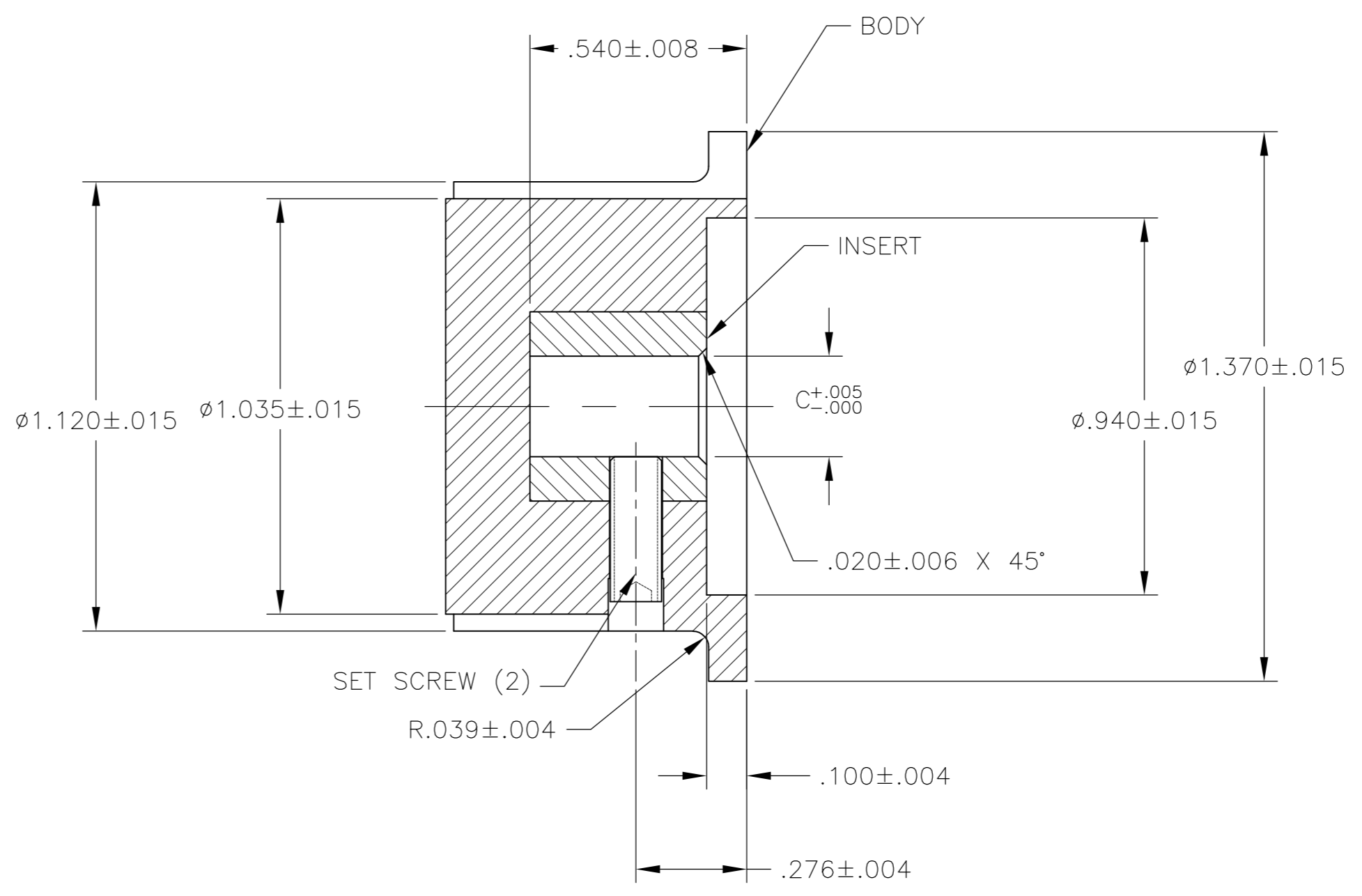
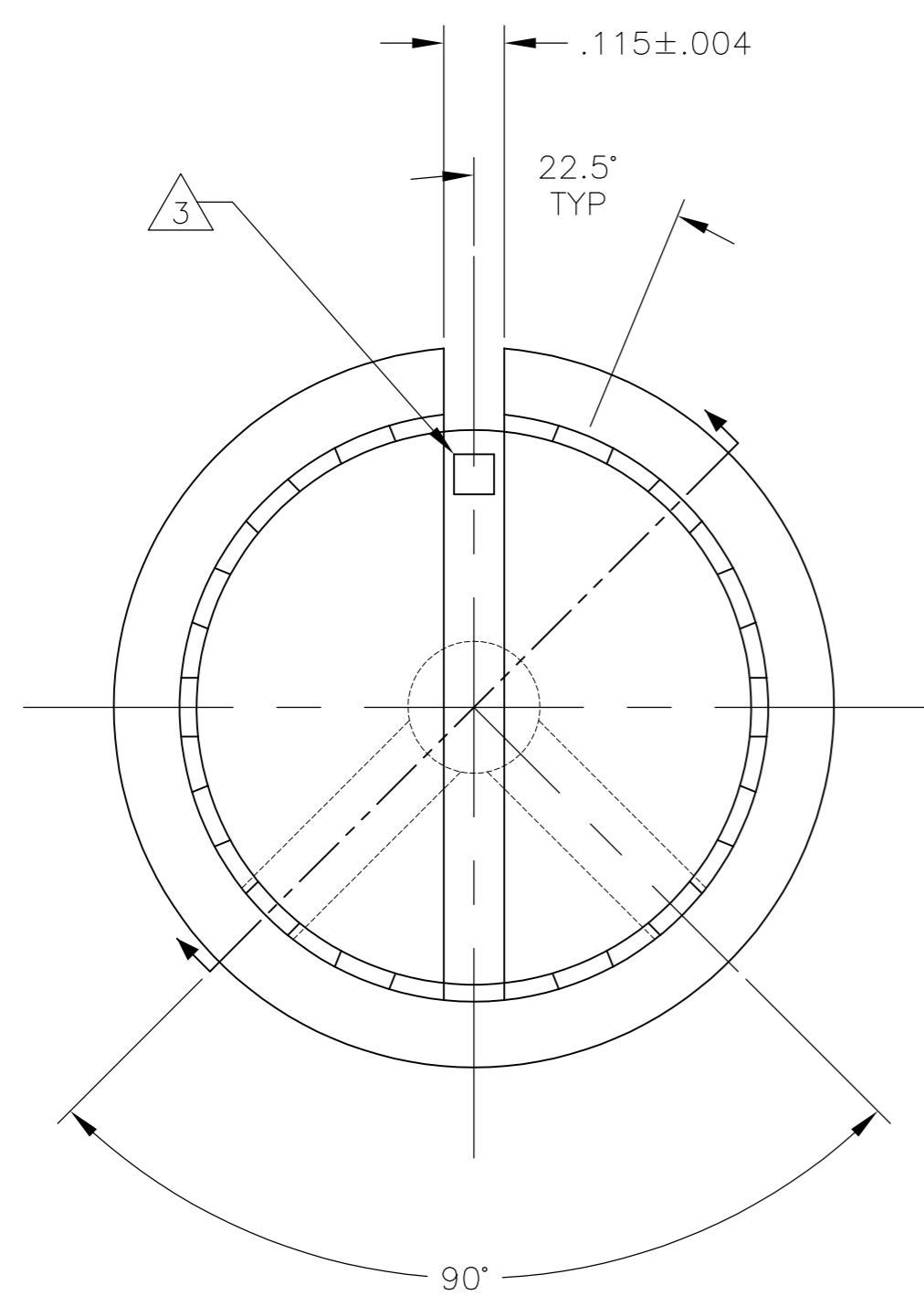


#6-32 X .313	.251	PKX100B1/4	1-1437625-1
SET SCREW	C SHAFT HOLE	MODEL NUMBER	PART NUMBER

THIS DRAWING IS A CONTROLLED DOCUMENT.		DWN	12MAR03	Tyco Electronics Corporation Harrisburg, PA 17105	
DIMENSIONS: INCHES		CHK	-	PKX SERIES KNOB	
TOLERANCES UNLESS OTHERWISE SPECIFIED:		APVD	-	-	
0 PLC ± -		PRODUCT SPEC	-	-	
1 PLC ± -		APPLICATION SPEC	-	-	
2 PLC ± -		WEIGHT	-	SIZE	CAGE CODE
3 PLC ± .004		MATERIAL	-	A2	00779
4 PLC ± -		FINISH	-	DRAWING NO	RESTRICTED TO
ANGLES ± 2°		CUSTOMER DRAWING		C=1-1437625-1	-
		SCALE	1:1	SHEET	4 OF 6
		REV	K		

THIS DRAWING IS UNPUBLISHED. RELEASED FOR PUBLICATION  
 © COPYRIGHT BY TYCO ELECTRONICS CORPORATION. ALL RIGHTS RESERVED.

LOC	DIST	REVISIONS			
P	LTR	DESCRIPTION	DATE	DWN	APVD
AD	0	SEE SHEET 1	-	-	-



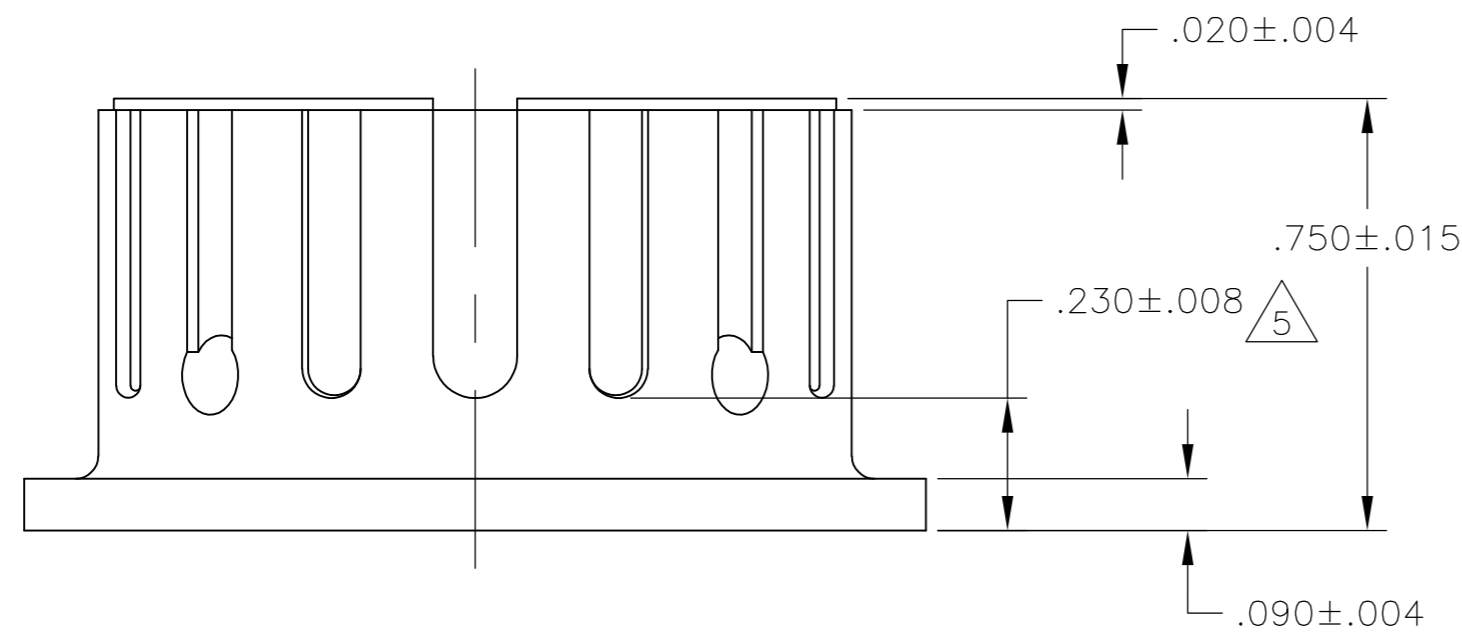
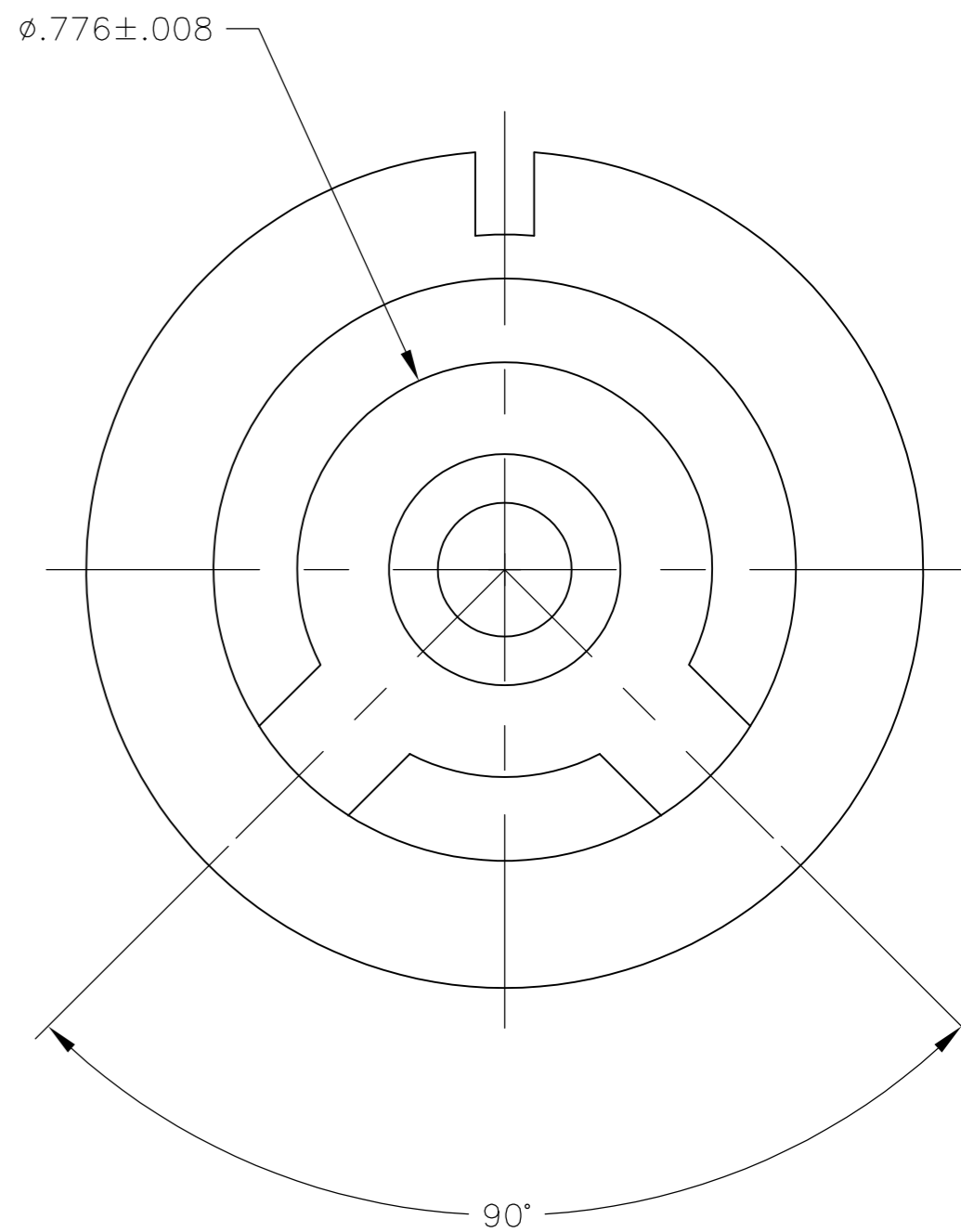
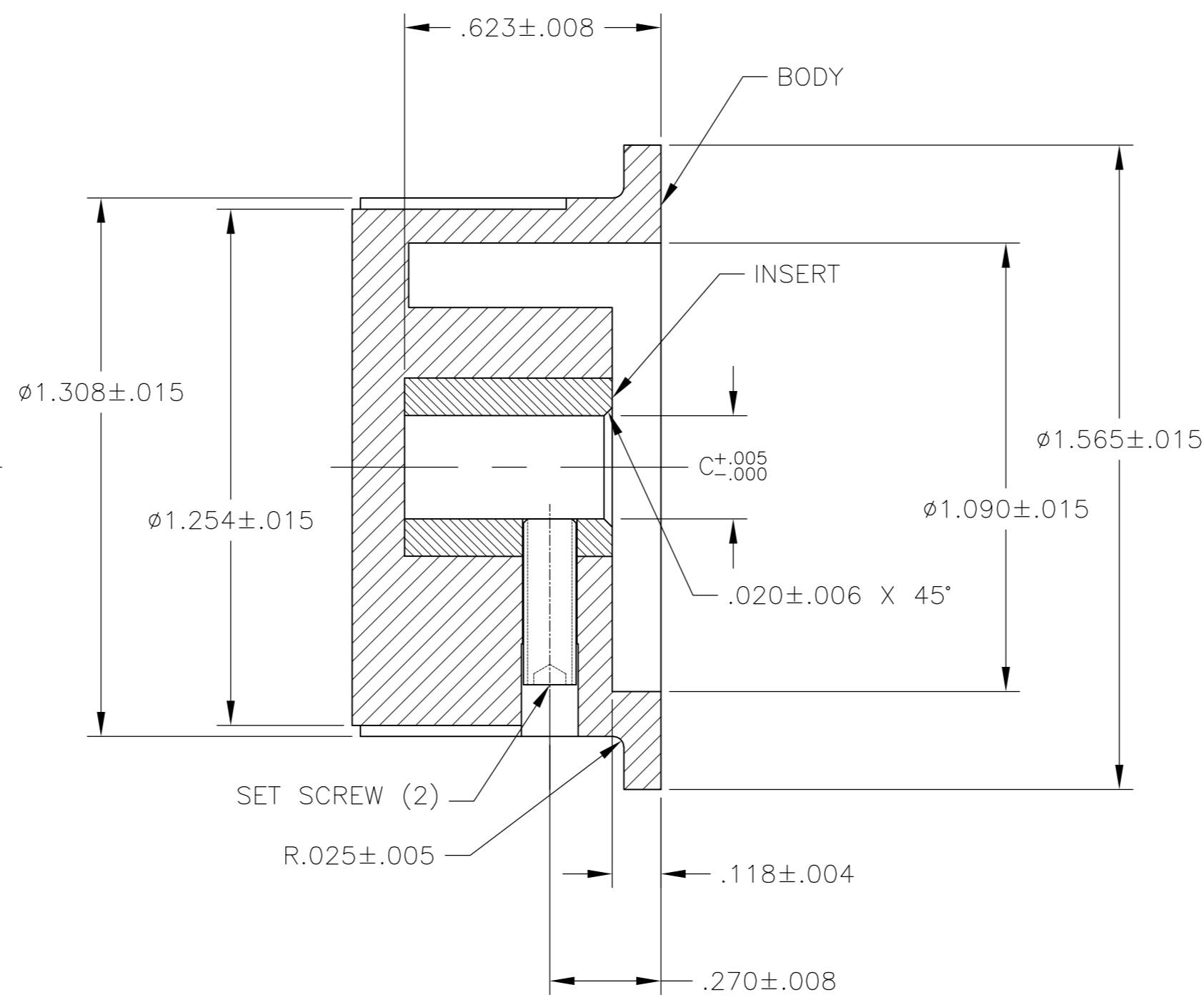
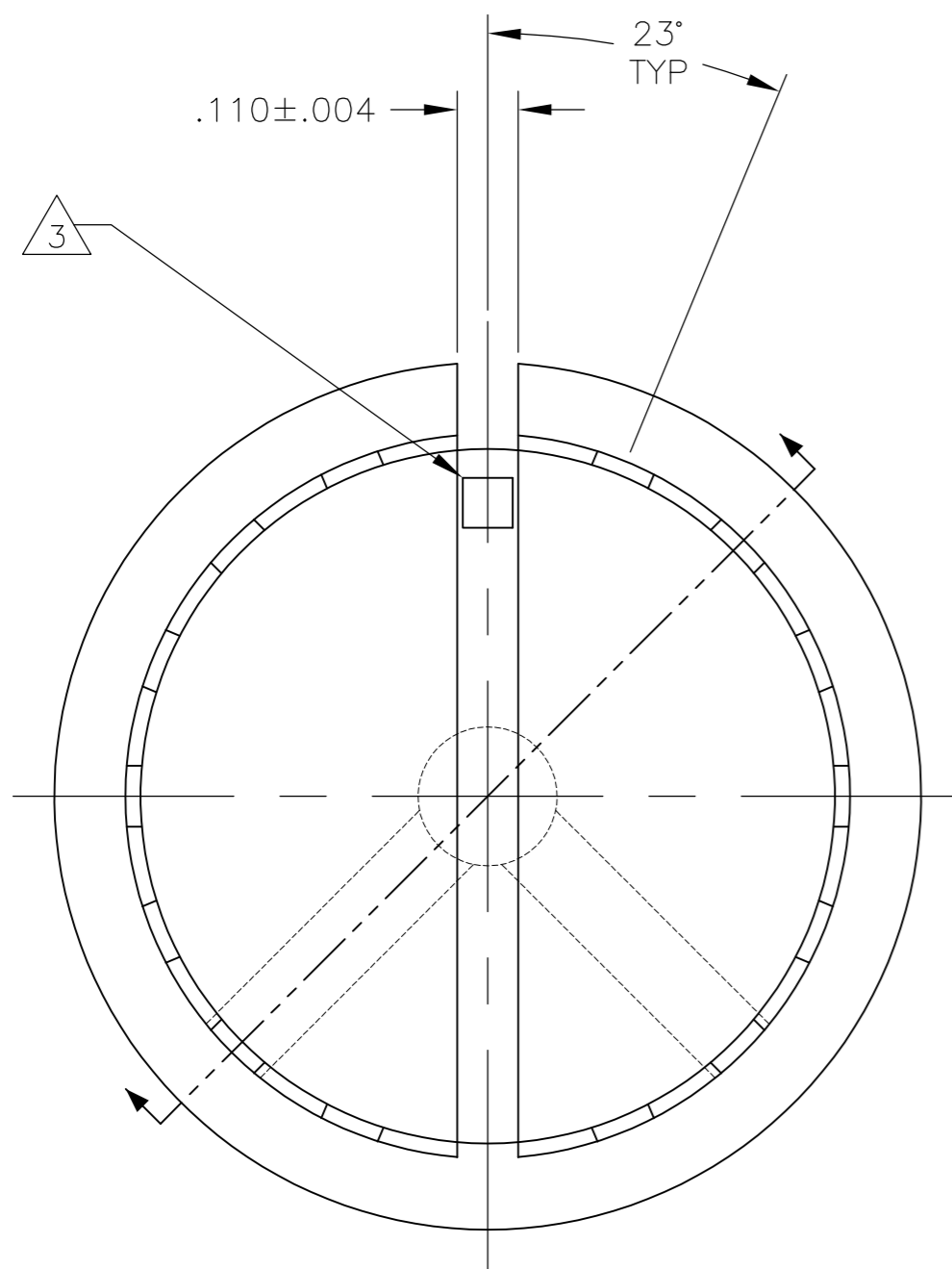
#6-32 X .313	.251	PKX110B1/4	1-1437625-2
SET SCREW	C SHAFT HOLE	MODEL NUMBER	PART NUMBER

THIS DRAWING IS A CONTROLLED DOCUMENT.		DWN	12MAR03	Tyco Electronics Corporation Harrisburg, PA 17105	
DIMENSIONS: INCHES		CHK	-	PKX SERIES KNOB	
TOLERANCES UNLESS OTHERWISE SPECIFIED:		APVD	-	NAME	
0 PLC ± -		PRODUCT SPEC	-	SIZE	CAGE CODE
1 PLC ± -		APPLICATION SPEC	-	A2	00779
2 PLC ± -		WEIGHT	-	DRAWING NO	RESTRICTED TO
3 PLC ± .004		CUSTOMER DRAWING	-	C=1-1437625-1	-
4 PLC ± -		SCALE	1:1	SHEET	5 OF 6
ANGLES ± 2°		REV	K		
FINISH					

1-1437625-1

THIS DRAWING IS UNPUBLISHED. RELEASED FOR PUBLICATION  
 © COPYRIGHT BY TYCO ELECTRONICS CORPORATION. ALL RIGHTS RESERVED.

REVISIONS				DATE	DWN	APVD
P	LTR	DESCRIPTION				
-	-	SEE SHEET 1	-	-	-	-



THIS DRAWING IS A CONTROLLED DOCUMENT.		DWN	12MAR03	#6-32 X .438	.251	PKX130B1/4	1-1437625-3
DIMENSIONS: INCHES		CHK	-	SET SCREW	C	SHAFT HOLE	MODEL NUMBER
TOLERANCES UNLESS OTHERWISE SPECIFIED:		APVD	-	2	PART NUMBER		
0 PLC ± -		PRODUCT SPEC	-	PKX SERIES KNOB			
1 PLC ± -		APPLICATION SPEC	-	SIZE	CAGE CODE	DRAWING NO	RESTRICTED TO
2 PLC ± -		WEIGHT	-	A2	00779	C=1-1437625-1	-
3 PLC ± .004		CUSTOMER DRAWING		SCALE	1:1	SHEET	6 OF 6
4 PLC ± -				REV	K		
ANGLES ± 2°							
FINISH							

1-1437625-1