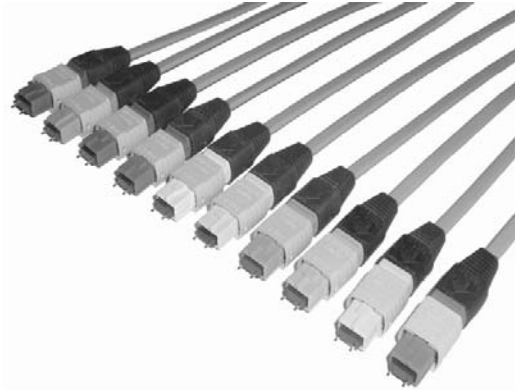


**Expanded SECURE Connector Product Line  
Includes MPO and LC Interfaces**

Ten variants in ten colors  
offered in two new  
interfaces



Tyco Electronics has expanded its SECURE connector product offering to include both MPO and LC interfaces. Through the use of ten different color/key variations, customers operating multiple networks in common areas can physically segregate their network throughout the system, from the backbone to the equipment panel.

Primary colors and keys are available in red, blue, yellow and green, with additional, secondary options for up to ten different color/keying configurations. Only connectors and adapters of the same color will intermate, and no standard product can plug into a secure adapter.

The LC SECURE product is compatible with both jack-

eted and buffered fiber. It is available in both LIGHTCRIMP PLUS and standard epoxy/polish styles for singlemode and multimode fibers. Each connector features a color-coded key that will only mate with like-colored adapters to minimize connection to the wrong networks. Standard colors include red, blue, green and yellow. An additional six colors are available as needed.

The MPO SECURE products are available in the same colors and are compatible with color-coded MPO SECURE cassettes. Standard MPO SECURE trunk cables are available in fiber counts to 72 fibers. MPO SECURE cassettes are available as twelve or

twenty-four fiber assemblies. Cables and cassettes are available with 50 $\mu$ m, XG and 62.5 $\mu$ m multimode fiber.

The success of the MT-RJ SECURE product line has fostered growing interest in the SECURE product concept. The addition of the LC and MPO interfaces to the AMP NETCONNECT SECURE product portfolio will allow a wider adoption of the concept and allow more customers to take advantage of the benefits the system offers.

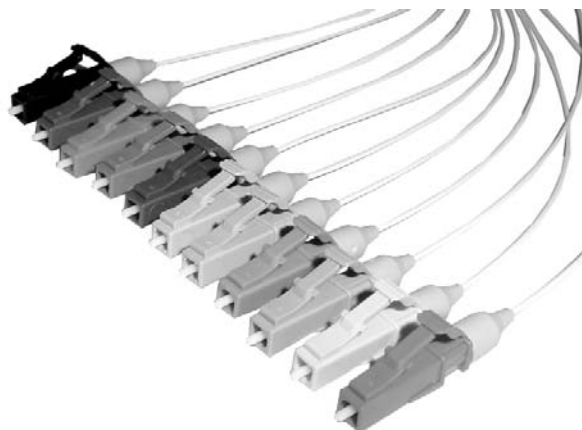
A complete line of connectivity, cable assemblies, and cables are available for MT-RJ SECURE, LC SECURE and MPO SECURE. See pages 9-13 for details.



**LIGHTCRIMP PLUS and Epoxy Style LC Product Facts**

- **LIGHTCRIMP PLUS—**  
No Epoxy/No Polish strip, cleave and crimp
- **LC small form factor design** is half the size of SC
- **10 exclusive connector variants**
- **Color coded plugs & adapters match MT-RJ & MPO SECURE offerings**
- **LIGHTCRIMP PLUS—**  
Termination to 250 or 900 μm tight-buffered fiber using standard tooling
- **Epoxy Style—Termination to 250 or 900 μm tight-buffered fiber 1.6 – 2.0 mm jacketed fiber**
- **Epoxy Style—Suitable for use with heat-cured or anaerobic (quick cure) epoxies (See instruction sheet for recommended anaerobic epoxies)**
- **Product qualification to TIA/EIA 568-B.3**
- **Field installable duplex clip (black) for polarity correction if needed**
- **Plug nose features can provide up to 70 mutually exclusive keying combinations**
- **Distinct keyway geometry on plug nose & color coding assures identifiable key-type**
- **Extended lugs on plug side-walls prevent SECURE connectors from mating with non-secure adapters**
- **Molded internal geometry produces tamper resistant system**
- **Key placement allows SECURE plugs to interface with standard 1.25 mm test equipment, inspection microscopes and application tooling**

**LC SECURE Product Offering**



**LIGHTCRIMP PLUS LC SECURE Kits**

Color	Simplex 50/125 MM SECURE	Simplex 50/125 XG MM SECURE	Simplex 62.5/125 MM SECURE	Simplex SM SECURE	Notes
Red	1828853-1	1828854-1	1828855-1	1828856-1	Primary
Yellow	1828853-2	1828854-2	1828855-2	1828856-2	Primary
Green	1828853-3	1828854-3	1828855-3	1828856-3	Primary
Blue	1828853-4	1828854-4	1828855-4	1828856-4	Primary
Rose	1828853-5	1828854-5	1828855-5	1828856-5	
Aqua	1828853-6	1828854-6	1828855-6	1828856-6	
Brown	1828853-7	1828854-7	1828855-7	1828856-7	
Violet	1828853-8	1828854-8	1828855-8	1828856-8	
Orange	1828853-9	1828854-9	1828855-9	1828856-9	
Slate	1-1828853-0	1-1828854-0	1-1828855-0	1-1828856-0	

Highlighted Part Numbers are routinely stocked for shortest lead times.

**Epoxy Style LC Kits**

Color	Simplex Jumper Multimode	Simplex Jumper Singlemode	Simplex Buffer Multimode	Simplex Buffer Singlemode	Notes
Red	1828078-1	1828079-1	1828861-1	1828862-1	Primary
Yellow	1828078-2	1828079-2	1828861-2	1828862-2	Primary
Green	1828078-3	1828079-3	1828861-3	1828862-3	Primary
Blue	1828078-4	1828079-4	1828861-4	1828862-4	Primary
Rose	1828078-5	1828079-5	1828861-5	1828862-5	
Aqua	1828078-6	1828079-6	1828861-6	1828862-6	
Brown	1828078-7	1828079-7	1828861-7	1828862-7	
Violet	1828078-8	1828079-8	1828861-8	1828862-8	
Orange	1828078-9	1828079-9	1828861-9	1828862-9	
Slate	1-1828078-0	1-1828079-0	1-1828861-0	1-1828862-0	

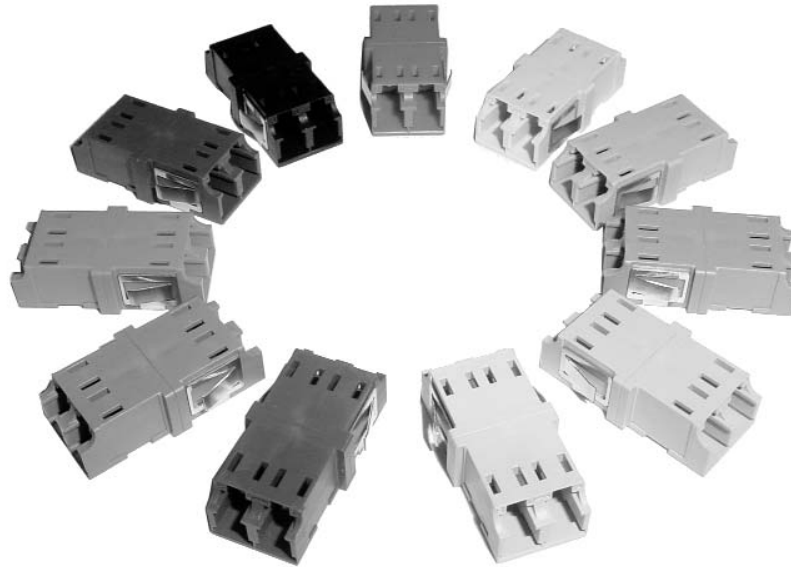
Highlighted Part Numbers are routinely stocked for shortest lead times.

**Note:** Part Numbers are RoHS compliant except: ♦ Indicates non-RoHS compliant.

**LC SECURE Product Offering** (Continued)

**LC Duplex Adapters**  
Product Facts

- Flange mount, flangeless, and SL Series configurations
- High quality ceramic sleeves
- Suitable for singlemode and multimode
- Key and color compatible to Epoxy Style and LIGHTCRIMP PLUS Product
- Universal Hybrid Adapters: includes universal adapter half, allows standard LC plugs to be used Behind The Wall or Inside The Box



**LC Duplex Adapters**

Color	SECURE Adapter Flanged	SECURE Adapter Flangeless	SECURE Adapter SL	Notes
Red	1828073-1	1828074-1	1828075-1	Primary
Yellow	1828073-2	1828074-2	1828075-2	Primary
Green	1828073-3	1828074-3	1828075-3	Primary
Blue	1828073-4	1828074-4	1828075-4	Primary
Rose	1828073-5	1828074-5	1828075-5	
Aqua	1828073-6	1828074-6	1828075-6	
Brown	1828073-7	1828074-7	1828075-7	
Violet	1828073-8	1828074-8	1828075-8	
Orange	1828073-9	1828074-9	1828075-9	
Slate	1-1828073-0	1-1828074-0	1-1828075-0	

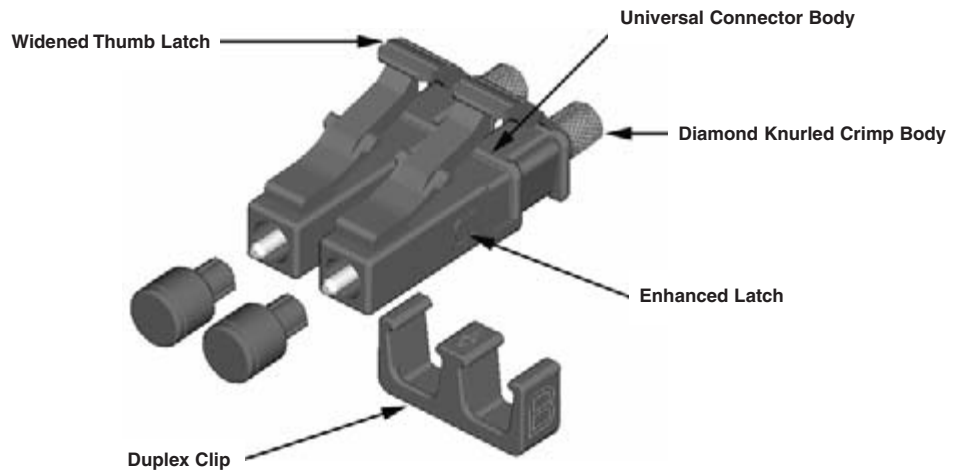
Highlighted Part Numbers are routinely stocked for shortest lead times.

**Note:** Part Numbers are RoHS compliant except: ♦ Indicates non-RoHS compliant.

**LC Connectors**

**Product Facts**

- Singlemode Telecordia GR-326 tested (Report #501-582)
- Multimode TIA/EIA 568-B.3 tested (Report #501-580)
- Singlemode and Multimode are compatible with both anaerobic adhesives and heat cure epoxy adhesives
- Universal Connector Body
  - Common body for simplex or duplex
  - Common body for jumper or buffer applications
  - Fewer parts to inventory
- Duplex Clip
  - Field installable
  - Makes simplex assemblies duplex
  - Correct polarity errors
  - Used for both jumpers and buffered fiber applications
- Enhanced Latch
  - Improved rigidity
  - Stronger Body
  - Improved side-load strength



- Widened Thumb Latch
  - Increased hit area
  - Increased bend strength
  - Ramped front latch for snag resistance
- Diamond Knurled Crimp Body
  - Increased tensile proof strength
  - Identical to Tyco Electronics' SC/FC design

**Performance Characteristics**

- Insertion Loss** — 0.5 dB Typical
- Reflectance** — -58 dB Typical
- Operating Temperature** — -40°C to +75°C
- Durability** — 500 Cycles

**LC Connector Kits**

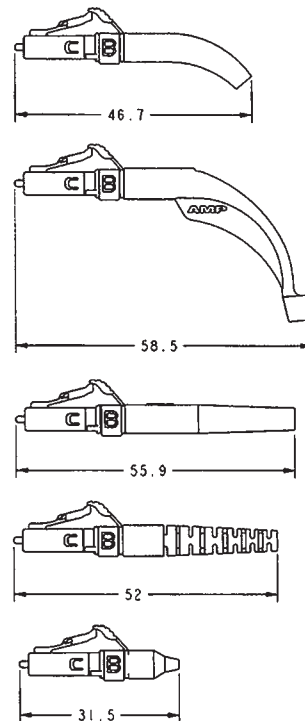
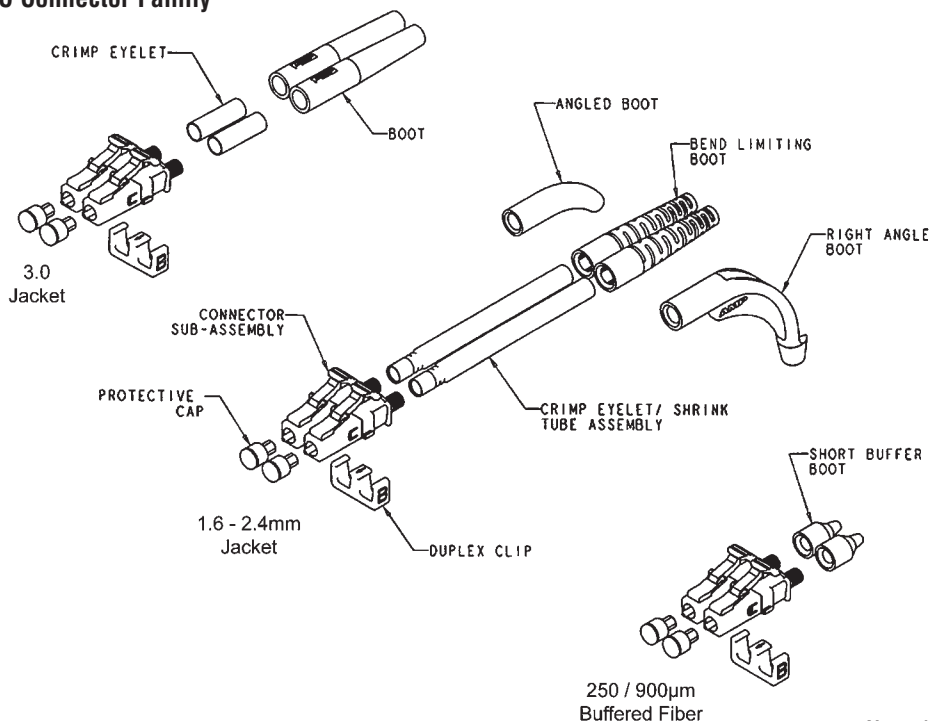
Fiber Type	Kit Part Number	Description
Singlemode (blue body & straight boot)	6588709-X	Simplex, 1.6-2.0 mm
	6588710-X	Simplex, 900 μm
	6588711-X	Duplex, 1.6-2.0 mm
	6588712-X	Duplex, 900 μm
	6754723-X	Simplex, 2.4mm
	6693482-X	Simplex, 3.0mm
Multimode (beige body & straight boot)	6693481-X	Duplex, 3.0mm
	6588705-X	Simplex, 1.6-2.0 mm
	6588706-X	Simplex, 900 μm
	6588707-X	Duplex, 1.6-2.0 mm
	6588708-X	Duplex 900 μm
	6754724-X	Duplex, 2.4mm
	6693480-X	Simplex, 3.0mm
	6693479-X	Duplex, 3.0mm

Note: X = -1 for individual package, -2 for bulk package.

Note: Part Numbers are RoHS compliant except: ♦ Indicates non-RoHS compliant.



**LC Connector Family**



Note: All of the above are also available in simplex.

**LC Connector Component Selection Chart (bulk packaged)**

Fiber Type	Simplex Connector Assembly & Dust Cap	Duplex Clip	Cable Size	Crimp Eyelet with Heat Shrink	Crimp Eyelet	Strain Relief Description	Strain Relief Part Number (see chart below)
Singlemode (blue hsg.)	6588239-1	1374728-1	1.6-2.0 mm	6374150-1	—	Straight/Bend Limiting	1588153-X
			1.6-2.0 mm	6374150-1	—	Angled	1374737-X
			1.6-2.0 mm	6374150-1	—	50 Degree Angle	6457543-X
			2.4 mm	6588189-1	—	Straight/Bend Limiting	1588153-X
			2.4 mm	6588189-1	—	Angled	1374737-X
			2.4 mm	6588189-1	—	50 Degree Angle	6457543-X
			3.0 mm	—	5504118-3	Straight	502716-X
			900 µm	—	—	900 µm Buffer, 10mm	6588612-X
Multimode (beige hsg.)	6588240-1	1374728-2	1.6-2.0 mm	6374150-1	—	Straight/Bend Limiting	1588153-X
			1.6-2.0 mm	6374150-1	—	Angled	1374737-X
			1.6-2.0 mm	6374150-1	—	50 Degree Angle	6457543-X
			2.4 mm	6588189-1	—	Straight/Bend Limiting	1588153-X
			2.4 mm	6588189-1	—	Angled	1374737-X
			2.4 mm	6588189-1	—	50 Degree Angle	6457543-X
			3.0 mm	—	5504118-3	Straight	502716-X
			900 µm	—	—	900 µm Buffer, 10mm	6588612-X

Crimp Tool Dieset only - 1588175-1  
Crimp Tool with Dieset - 1588176-1  
Instruction Sheet: 408-8675

Termination Kit - 1754462-1  
Upgrade Kit for Anaerobic terminations - 1754603-1



**Strain Relief Color**

Base Part Number	Beige	Blue	Black	Red
1588153	-5	-2	-3	—
1374737	-2	-1	-3	-4
6457543	-1	-2	-4	—
502716	-3	-4	-1	-5
6588612	-1	-2	-5	-4

Note: Part Numbers are RoHS compliant except: ♦ Indicates non-RoHS compliant.



**“NEW” Tight Jacketed LC Connectors**

**Product Facts**

- Multimode or singlemode
- Simplex or duplex
- Tested using MIL-PRF-85045/16 2.0mm cable

**Application**

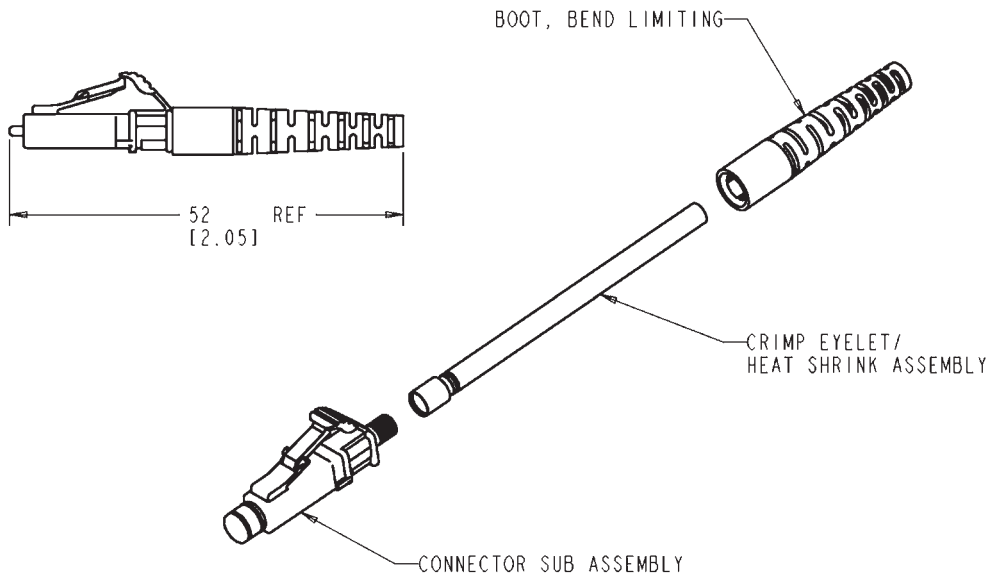
- In Flight Networks
- Shipboard Applications
- Aero Market

**LC Connectors (Continued)**



The tight jacketed LC Connectors are non pull-proof versions of the standard connectors that are designed for use with tight construction cable. Unlike

standard connectors, this design allows the jacket and buffer to move together, reducing the chances of micro-bends and fiber breakage.



Fiber Type	Kit Part Number	Description
Singlemode (blue body & straight boot)	6828095-X	Simplex, 1.6–2.0mm
	6828130-X	Duplex, 1.6–2.0mm
	1918228-1	Simplex, 2.4mm
Multimode (beige body & straight boot)	6828094-X	Simplex, 1.6–2.0mm
	6828129-X	Duplex, 1.6–2.0mm
	1918153-X	Simplex, 2.4mm

**Note:** X = -1 for individual package, -2 for bulk package.  
Instruction Sheet 408-10014

**Note:** Part Numbers are RoHS compliant except: ♦ Indicates non-RoHS compliant.

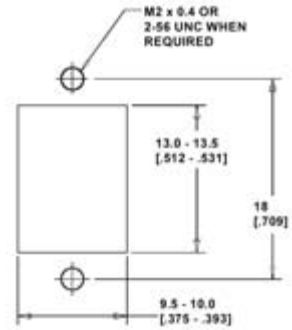


**LC Adapters**

**LC Duplex Adapter for SC Cutout — Plastic**



Alignment Sleeve Material	Housing Color	Description	Part Numbers
Ceramic	Blue	Flangeless	6457567-1
Ceramic	Beige	Flangeless	6457567-2
Ceramic	Green	Flangeless	6457567-3
Ceramic	Blue	Flanged	6457567-4
Ceramic	Beige	Flanged	6457567-5
Ceramic	Green	Flanged	6457567-6
Metal	Beige	Flangeless	6457567-7
Metal	Beige	Flanged	6457567-8
"NEW" Ceramic	Aqua	Flanged	1918150-1
"NEW" Ceramic	Aqua	Flangeless	1918151-1

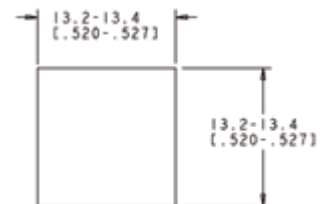


**Recommended Panel Cutout**  
Max. Panel Thk. 1.70 [.067]

**LC Duplex Adapter for LC Cutout — Plastic**



Alignment Sleeve Material	Housing Color	Description	Part Numbers
Ceramic	Blue	Duplex, Square Cutout	1374352-1
Ceramic	Beige	Duplex, Square Cutout	1374352-2



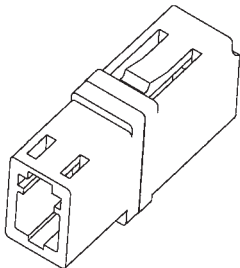
**Recommended Panel Cutout**  
Panel Thk. 1.2/1.7 [.047/.067]

**LC Adapter for SC Cutout — Metal**

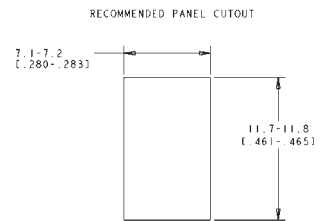


Alignment Sleeve Material	Housing Color	Description	Part Numbers
Ceramic	Electroless Nickel	Flangeless	1754682-1
Ceramic	Electroless Nickel	Flanged	1754683-1
Ceramic	Electroless Nickel	Flangeless w/ EMI Shielding	1754727-1

**LC Simplex Adapter — Plastic**



Alignment Sleeve Material	Housing Color	Part Numbers
Ceramic	Blue	1457062-1
Ceramic	Beige	1457062-2



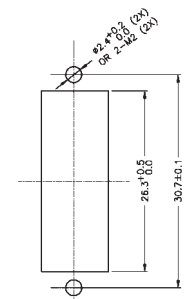
**Recommended Panel Cutout**  
Panel Thk. 1.2/1.7 [.047/.067]

**LC Quad Adapter — Plastic Flanged**



Alignment Sleeve Material	Housing Color	Part Numbers
Ceramic	Blue	1695790-4
Metal	Beige	1695790-5

**Note:** Part Numbers are RoHS compliant except: ♦ Indicates non-RoHS compliant.



**Recommended Panel Cutout**  
Max. Panel Thk. 1.7 [.067]