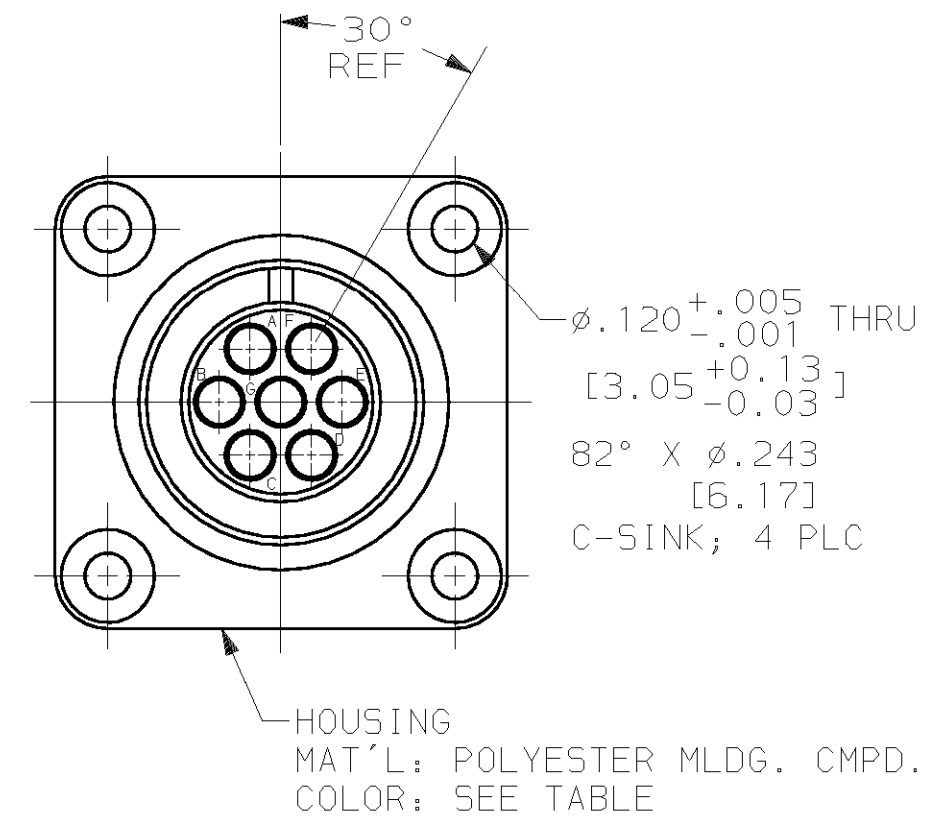
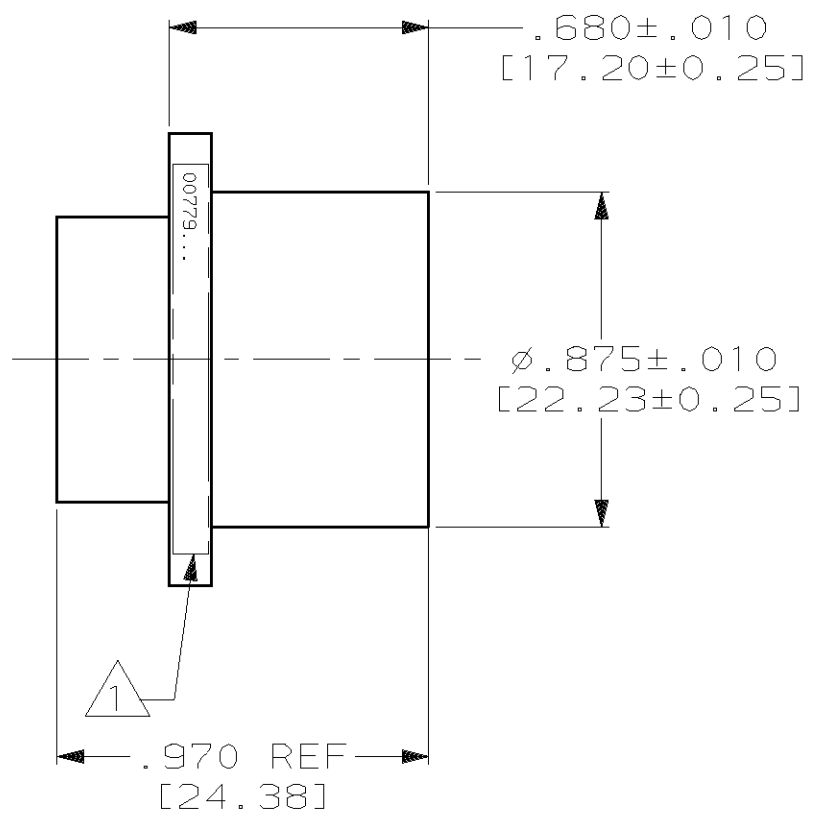
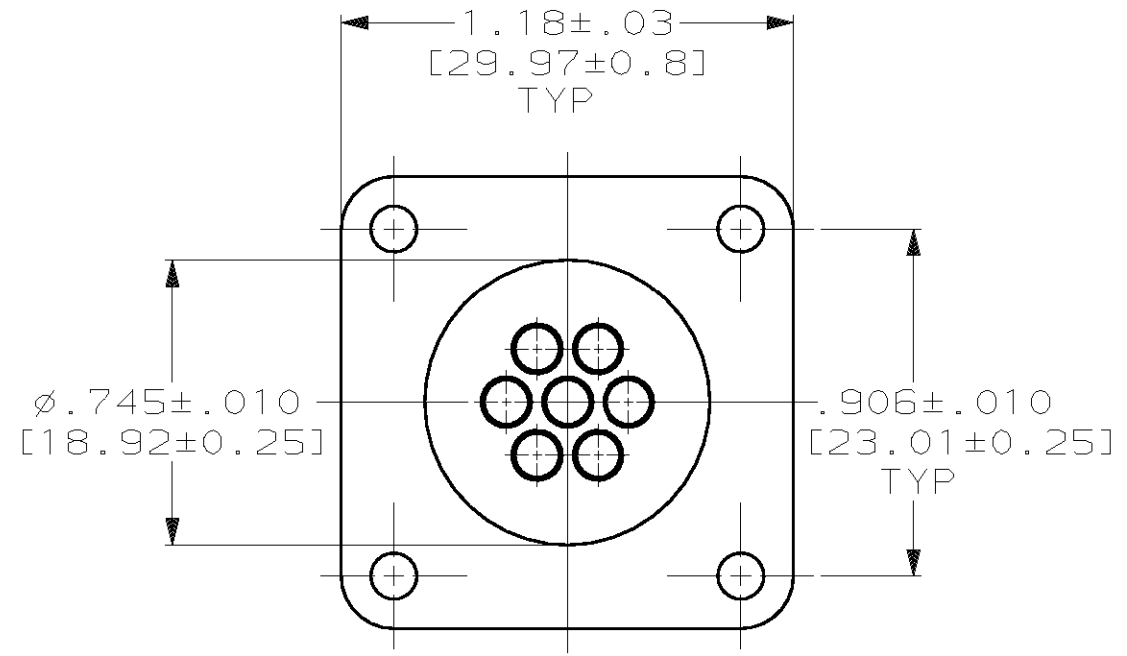


THIS DRAWING IS UNPUBLISHED. RELEASED FOR PUBLICATION ,19 .
 © COPYRIGHT 19 BY AMP INCORPORATED

PROD 4085
 LOC DF
 DIST 50

P		F		ZONE		LTR		DESCRIPTION		DATE	APPD	
								0	RELEASED PER 0600-2854-94	CT	9-94	DE
								A	ADD -3; 0600-5311-96	CT	4-96	DE
								B	REV PER 063D-0192-99	JEB	3-00	DE



- ① MARKED PER MIL-STD-130.
- 2. RECEPTACLE HAS NO MATING THREADS.
- ③ "PMS" PANTONE MATCHING SYSTEM #3145 U.

DO NOT SCALE PRINT. UNLESS SPECIFIED DIMENSIONS IN INCHES [mm] TOLERANCES ON: 2 PLC DEC ± - 3 PLC DEC ± .005 [0.13] ANGLES ± -	DR 9-12-94 C.C.THOMAS
	CHK 9-21-94 D.EABY
MATERIAL SEE CALLOUTS	APPD 9-21-94 D.EABY
	RLSE 9-21-94 C.C.THOMAS
FINISH -	PRODUCT SPEC -
	APPLICATION SPEC -
	WEIGHT -

SPECIAL AQUA BLUE ③	443065-3
BLACK	443065-1
COLOR	PART NO.

AMP AMP Incorporated Harrisburg, PA 17105-3608		
NAME RECEPTACLE, 7 POSN., LGH		
SIZE B	CAGE CODE 00779	DRAWING NO C-443065
SCALE 2:1	SHEET 1 OF 1	

THIS DRAWING IS A CONTROLLED DOCUMENT FOR AMP INCORPORATED. IT IS SUBJECT TO CHANGE AND THE CONTROLLING ENGINEERING ORGANIZATION SHOULD BE CONTACTED FOR THE LATEST REVISION.