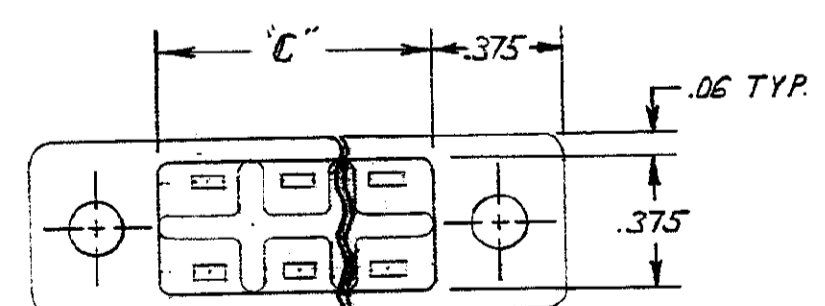
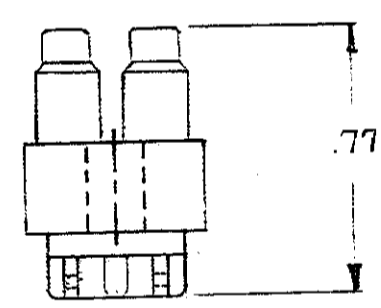
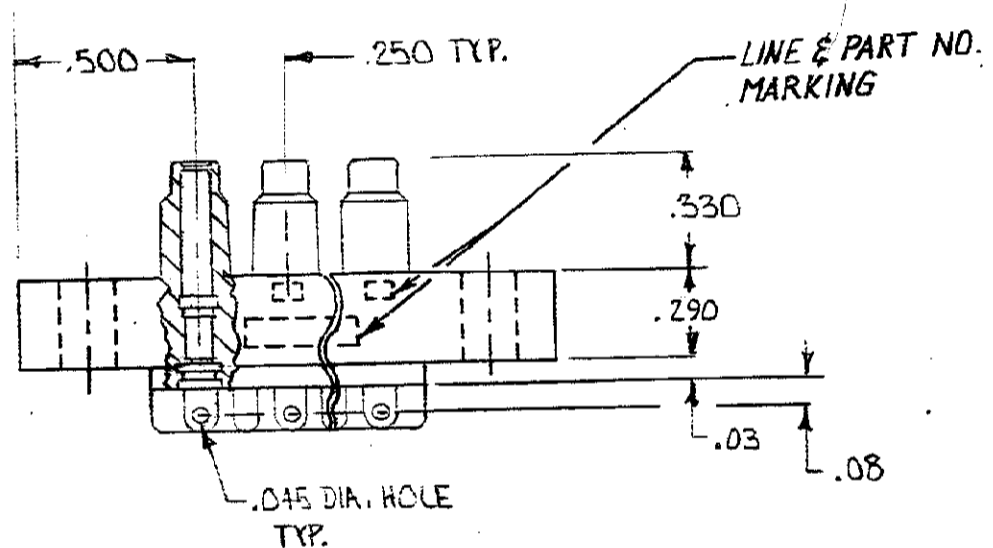
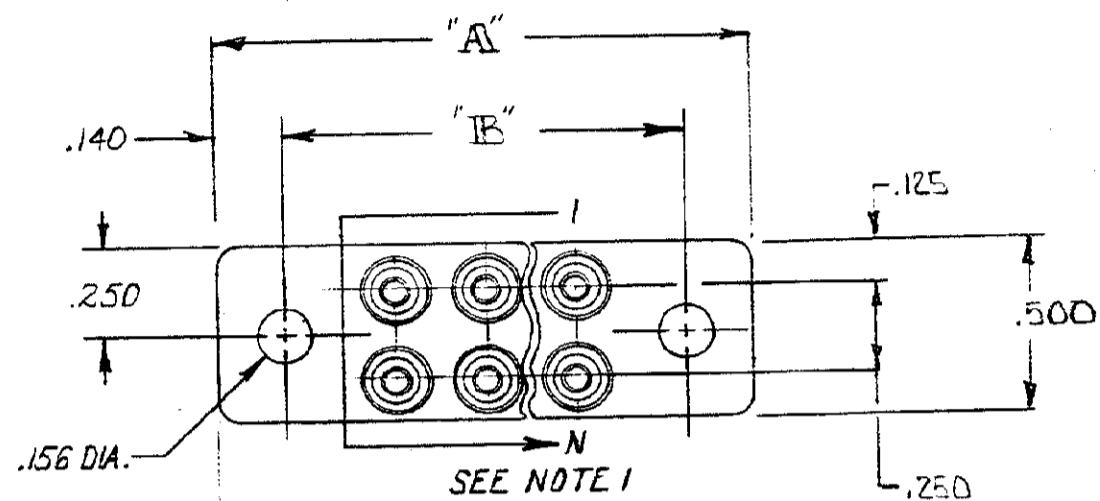


DRAWING MADE IN THIRD ANGLE PROJECTION

© COPYRIGHT 1977 BY AMP INCORPORATED, HARRISBURG, PA. ALL INTERNATIONAL RIGHTS RESERVED. AMP INCORPORATED PRODUCTS COVERED BY U. S. AND FOREIGN PATENTS AND/OR PATENTS PENDING.

LOC DIST
OF 50

REVISIONS						
P	F	ZONE	LTR	DESCRIPTION	DATE	APPROVED
				WAS SK-5685BA1	9-20-77	<i>[Signature]</i>
			O	RELEASED FOR PROD.	RN 9/21/77	
			A	ADDED NOTE 1 & MARKING ECN 8180	RN 10-28-77	<i>[Signature]</i>
		B-3	B	.290 WAS .260, .03 WAS .06, ECN 8192, DS	11-16-77	<i>[Signature]</i>
			C	REV CONES ECN 8227	RN 2-15-78	<i>[Signature]</i>
			D	REV. PER ECN. 8740	AS 3-27-78	<i>[Signature]</i>
			E	OBSOLETE -3 ECN S3614	1-19-87	<i>[Signature]</i>
			F	OBSOLETE -5 ECN L1556	4-7-87	<i>[Signature]</i>
			F	REACTIVATED -5 ECN S3524		
			G	OBS-1-6-LELNAF0376	2P 2-89	<i>[Signature]</i>



AMP P/N	CONTACTS	"A" DIM.	"B" DIM.	"C" DIM.
OBSOLETE 863769-1	2	1.000	.719	.250
863769-2	4	1.250	.969	.500
OBSOLETE 863769-3	6	1.500	1.219	.750
863769-4	8	1.750	1.469	1.000
863769-5	10	2.000	1.719	1.250
OBS 863769-6	12	2.250	1.969	1.500

NOTE:
1. LINE NUMBERS ARE MARKED ON THE SIDES COUNTING FROM 1 TO N AS SHOWN (N=NUMBER OF CONTACTS).

				UNLESS OTHERWISE SPECIFIED DIMENSIONS ARE IN INCHES. TOLERANCES: .00 ± .02 .000 ± .005 ANGLES ±		CONTRACT NO		PART NO	
				MATERIAL MOLDED GLASS EPOXY		DR <i>[Signature]</i> 8-2-77		AMP INCORPORATED Elizabethtown, Pa.	
				FINISH BLACK		CHK		NAME SOCKET HOUSING ASSEMBLY (LG4)	
						APPD <i>[Signature]</i> 8-3-77		SIZE CODE IDENT NO DRAWING NO	
						APPD <i>[Signature]</i> 9-21-77		C 00779 863769	
						DSGN APPD		SHEET 1 OF 1	
						OTHER APPD		SCALE <i>[Signature]</i>	
NEXT ASSY		FINAL ASSY		NEXT ASSY		USED ON			
QTY REQD		APPLICATION							