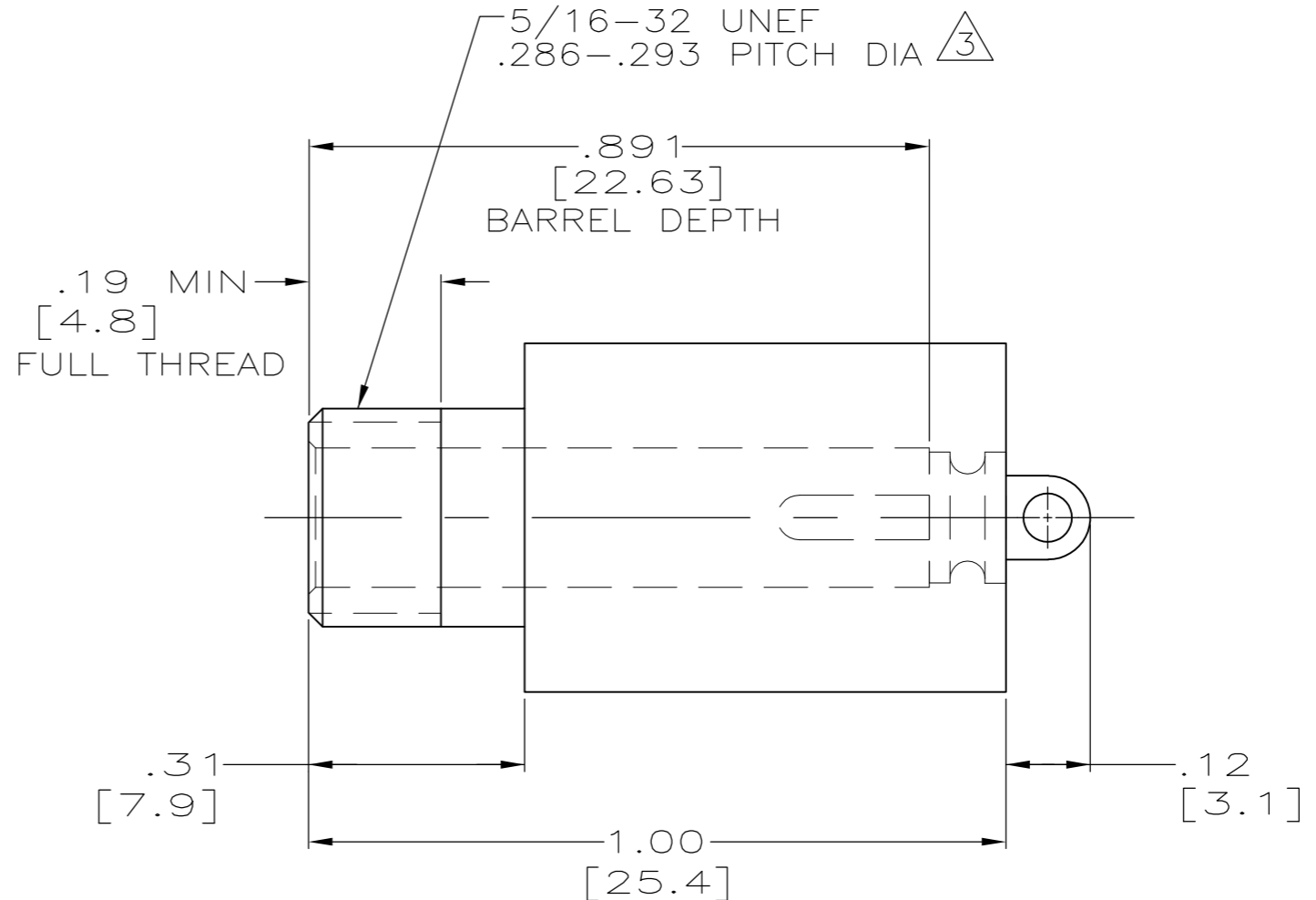
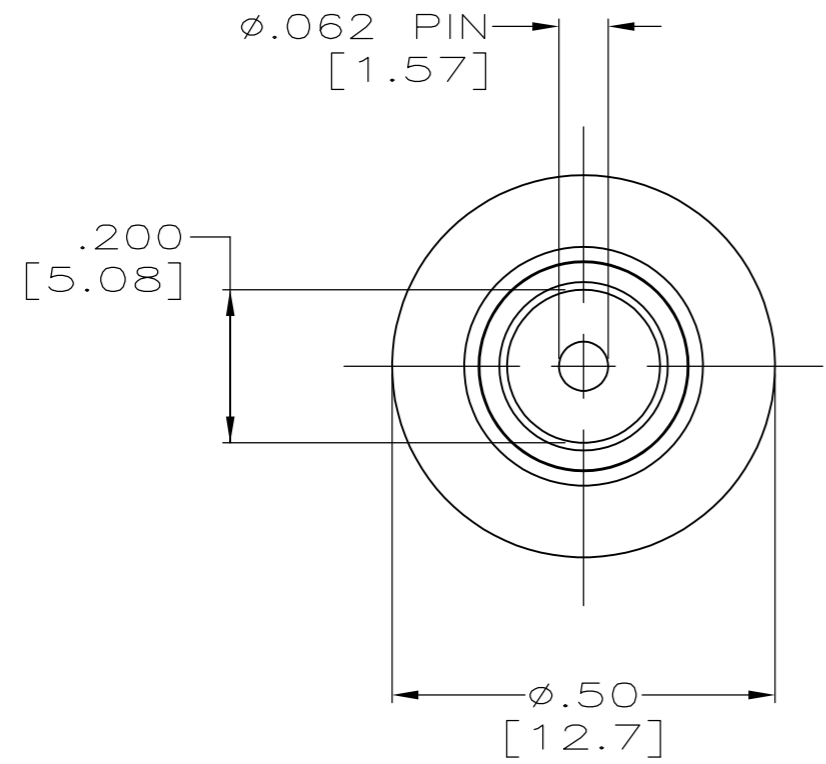


THIS DRAWING IS UNPUBLISHED. RELEASED FOR PUBLICATION - ,N/A .  
 © COPYRIGHT N/A BY TYCO ELECTRONICS CORPORATION. ALL RIGHTS RESERVED.

LOC	DIST	REVISIONS			
P	LTR	DESCRIPTION	DATE	DWN	APVD
DF	S0	M	REV PER ECO-08-011735	05JUN08	PY DE



	TIN 150μ MIN	BLACK	5-858855-1
	GOLD 50μ MIN	BLACK	858855-9
OBSOLETE	GOLD 30μ MIN	GREEN	858855-4
OBSOLETE	TIN-LEAD 150μ MIN	GREEN	858855-3
	GOLD 30μ MIN	BLACK	858855-2
	TIN-LEAD 150μ MIN	BLACK	858855-1
	PIN FINISH	MOLD CMPD. COLOR	PART NO.

- MARKED PER MIL-STD-130.
  - RECEPTACLE TO MATE WITH AMP LGH-1/2L LEAD ASSY.
- $\Delta$  PER FEDERAL STD H-28, 3 WIRE METHOD. DIMENSION OVER WIRES TO BE .307-.318 [7.80-8.08].

THIS DRAWING IS A CONTROLLED DOCUMENT.		DWN C.C.THOMAS 15-JUL-93	Tyco Electronics Corporation Harrisburg, Pa 17105-3608	
DIMENSIONS: INCHES	TOLERANCES UNLESS OTHERWISE SPECIFIED:	CHK D.EABY 21-JUL-93	NAME	
	0 PLC ± -	APVD D.EABY 21-JUL-93	RECEPTACLE FOR ENCAPSULATED UNIT LGH-1/2L	
	1 PLC ± -	PRODUCT SPEC	SIZE	RESTRICTED TO
	2 PLC ± .02[0.5]	APPLICATION SPEC	CAGE CODE	DRAWING NO
	3 PLC ± .005[0.13]		A3	00779
	4 PLC ± -	WEIGHT	C-858855	
	ANGLES ± ± -		SCALE	SHEET
MATERIAL	FINISH	CUSTOMER DRAWING	4:1	1 OF 1
COLOR: BLACK			REV	M