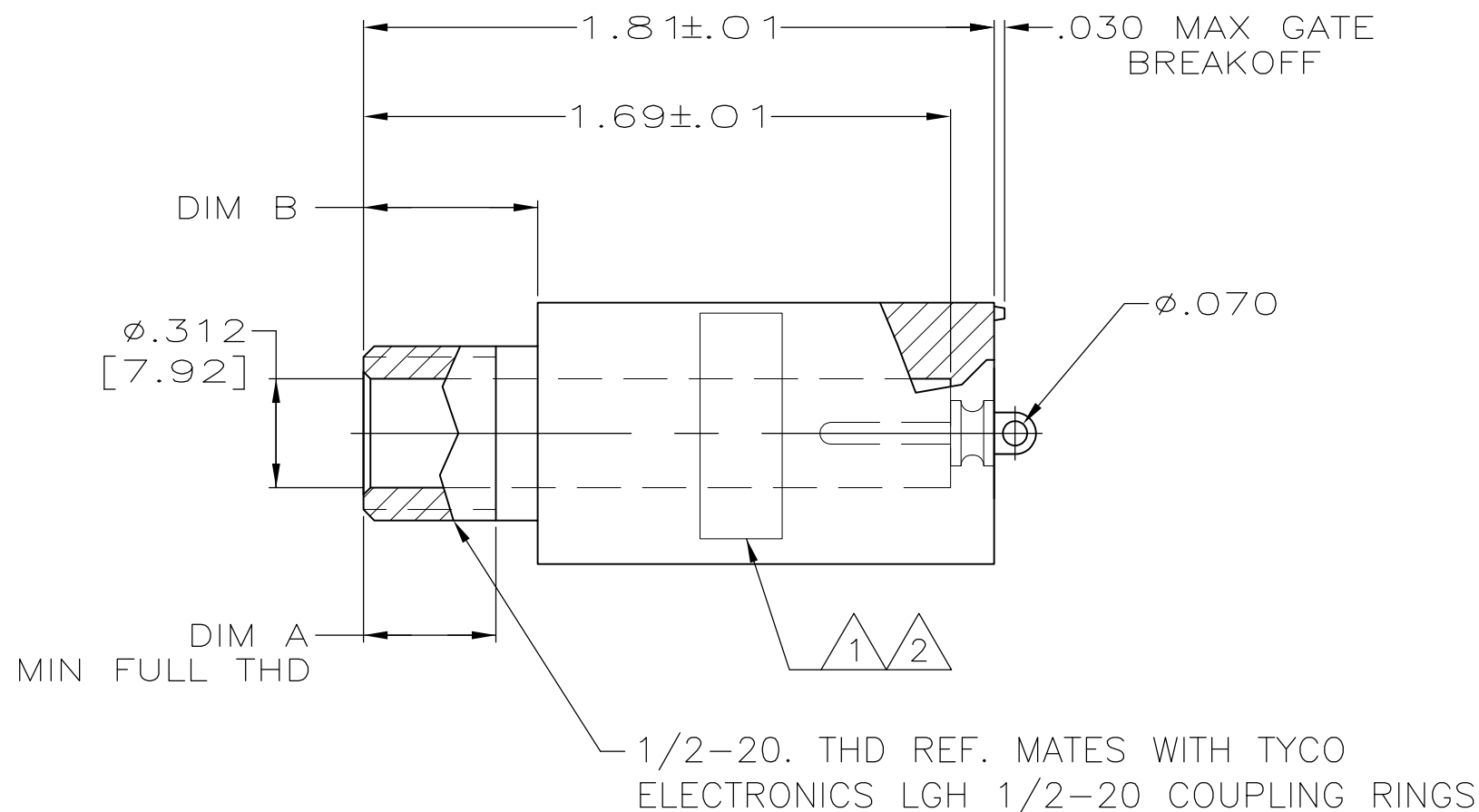
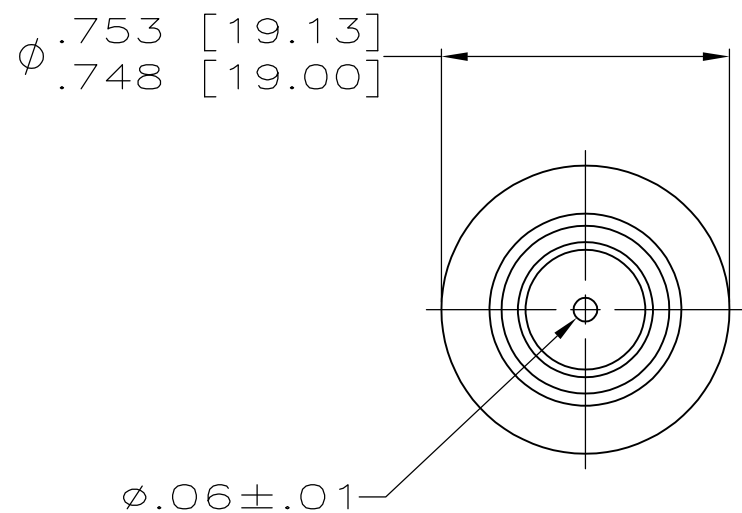


THIS DRAWING IS UNPUBLISHED. RELEASED FOR PUBLICATION - .N/A .

© COPYRIGHT N/A BY TYCO ELECTRONICS CORPORATION. ALL RIGHTS RESERVED.

LOC DF	DIST SO	REVISIONS		
P	LTR	DESCRIPTION	DATE	DWN
	K	REVISED PER ECO-08-025676	11NOV08	CT
				APVD SG



- 1 MARKED PER MIL-STD-130.
- 2 MARKED PER MIL-STD-130, INCLUDING SPECIAL CUSTOMER MARKING FOR -7 ONLY.

-	.500 [12.70]	.38 [9.7]	TIN	5-858868-1
2	.500 [12.70]	.38 [9.7]	GOLD	858868-7
-	.630 [16.00]	.56 [14.2]	TIN-LEAD	858868-5
OBSOLETE	.500 [12.70]	.38 [9.7]	GOLD	858868-2
-	.500 [12.70]	.38 [9.7]	TIN-LEAD	858868-1
REMARKS	DIM B	DIM A	TERMINAL PLATING	PART NUMBER

THIS DRAWING IS A CONTROLLED DOCUMENT.		DWN C.C.THOMAS 17-JUL-96	Tyco Electronics Corporation Harrisburg, PA 17105-3608	
DIMENSIONS: INCHES		CHK S.GLATFELTER 01-AUG-96	NAME RECEPTACLE ASSEMBLY LGH-1	
TOLERANCES UNLESS OTHERWISE SPECIFIED: 0 PLC ± - 1 PLC ± - 2 PLC ± - 3 PLC ± .005[0.13] 4 PLC ± - ANGLES ± -		APVD S.GLATFELTER 01-AUG-96	PRODUCT SPEC APPLICATION SPEC	
MATERIAL GLASS EPOXY MLDG CMPD		FINISH SEE TABLE	WEIGHT -	RESTRICTED TO -
CUSTOMER DRAWING		SIZE A3	CAGE CODE 00779	DRAWING NO G-858868
		SCALE 2:1	SHEET 1 OF 1	REV K