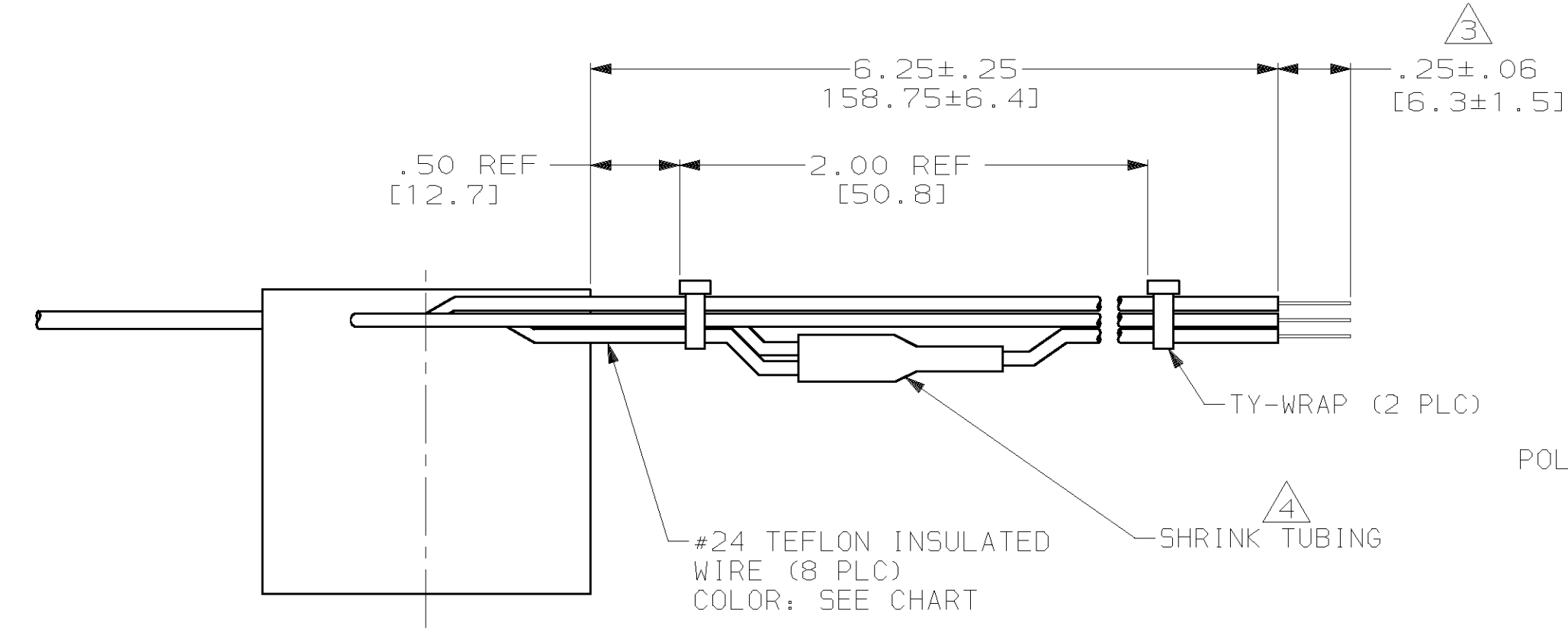


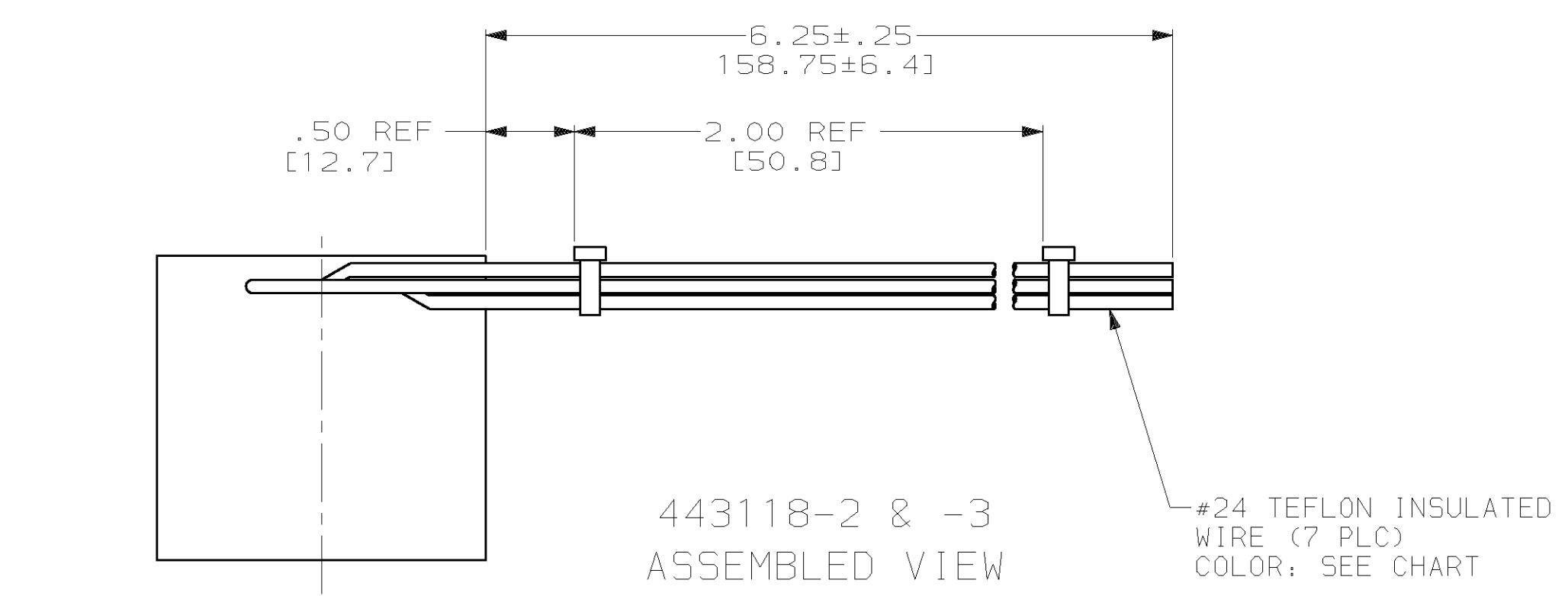
LOC	DIST	P	F	ZONE	LTR	DESCRIPTION	DATE	APPD
DF	50				E	REV PER 063D-0257-01	CT	6-01 DE

PART NO.	PIN	COLOR	AWG	INSULATION	O.D.
	443118-1	1	RED	#24 AWG	TEFLON
2		ORANGE	#24 AWG	TEFLON	.050 [1.3]
3		WHITE	#24 AWG	TEFLON	.050 [1.3]
4		WHITE	#24 AWG	TEFLON	.050 [1.3]
5		ORANGE	#24 AWG	TEFLON	.050 [1.3]
6		BLUE	#24 AWG	TEFLON	.050 [1.3]
7		GREEN	#24 AWG	TEFLON	.050 [1.3]
8		YELLOW	#24 AWG	TEFLON	.050 [1.3]
10		RED	#24 AWG	SEE CALLOUT	.060 [1.5]
443118-2		1	RED	#24 AWG	TEFLON
	2	-	-	-	-
	3	WHITE	#24 AWG	TEFLON	.050 [1.3]
	4	WHITE	#24 AWG	TEFLON	.050 [1.3]
	5	ORANGE	#24 AWG	TEFLON	.050 [1.3]
	6	BLUE	#24 AWG	TEFLON	.050 [1.3]
	7	GREEN	#24 AWG	TEFLON	.050 [1.3]
	8	YELLOW	#24 AWG	TEFLON	.050 [1.3]
	10	RED	#24 AWG	SEE CALLOUT	.060 [1.5]
	443118-3	1	RED	#24 AWG	TEFLON
2		-	-	-	-
3		WHITE	#24 AWG	TEFLON	.050 [1.3]
4		WHITE	#24 AWG	TEFLON	.050 [1.3]
5		ORANGE	#24 AWG	TEFLON	.050 [1.3]
6		BLUE	#24 AWG	TEFLON	.050 [1.3]
7		GREEN	#24 AWG	TEFLON	.050 [1.3]
8		YELLOW	#24 AWG	TEFLON	.050 [1.3]
10		RED	#24 AWG	SEE CALLOUT	.060 [1.5]

1 MARKED PER MIL-STD-130.  
 2 NUMBERS SHOWN FOR REFERENCE ONLY.  
 3 PIG TAILS ARE SOLDER DIPPED.  
 4 WIRES FROM POSITION #2 & 5 ARE SOLDERED TOGETHER INTO ONE ORANGE WIRE.

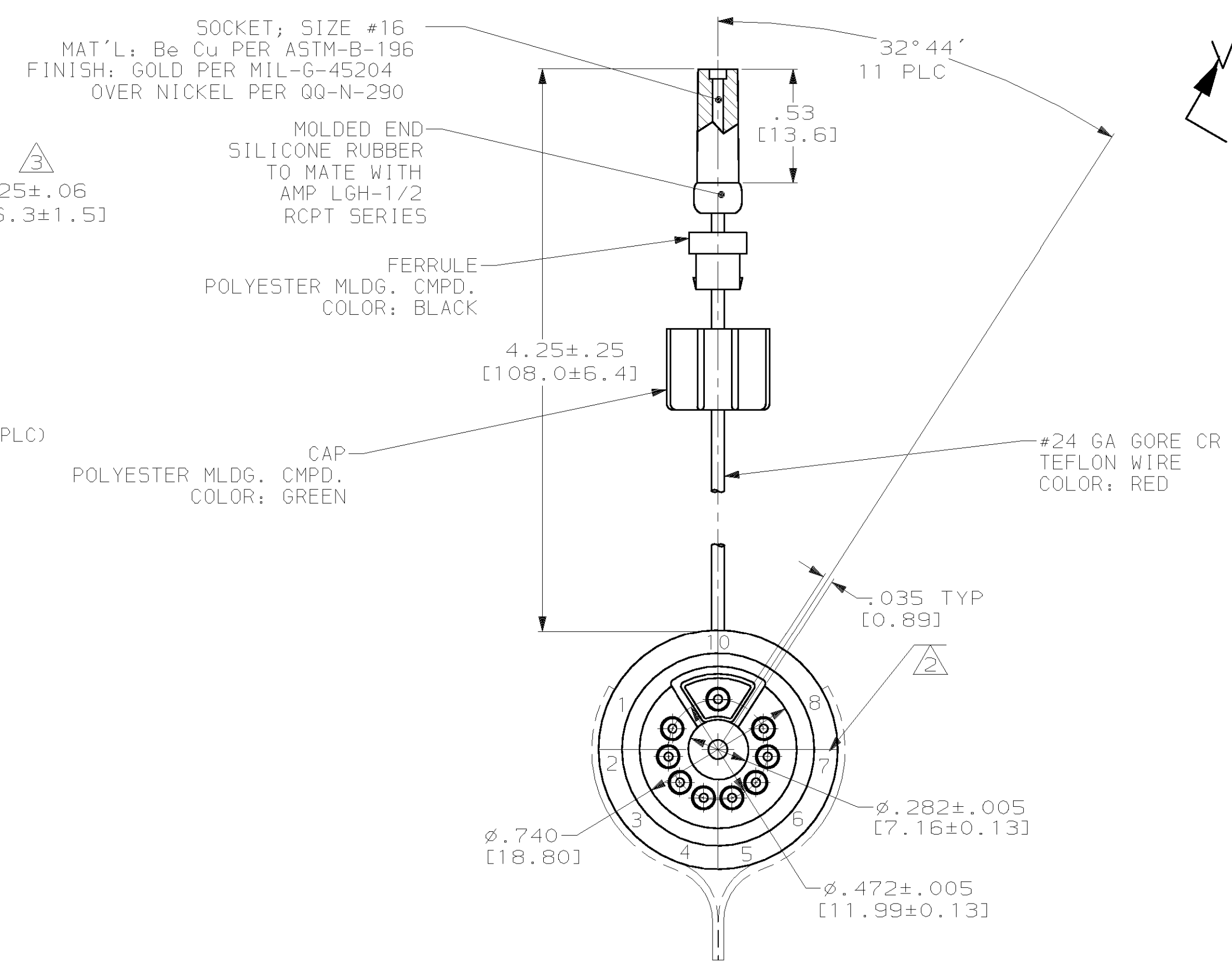


443118-1  
 ASSEMBLED VIEW  
 WIRES EXIT BETWEEN  
 PIN #4 & #5

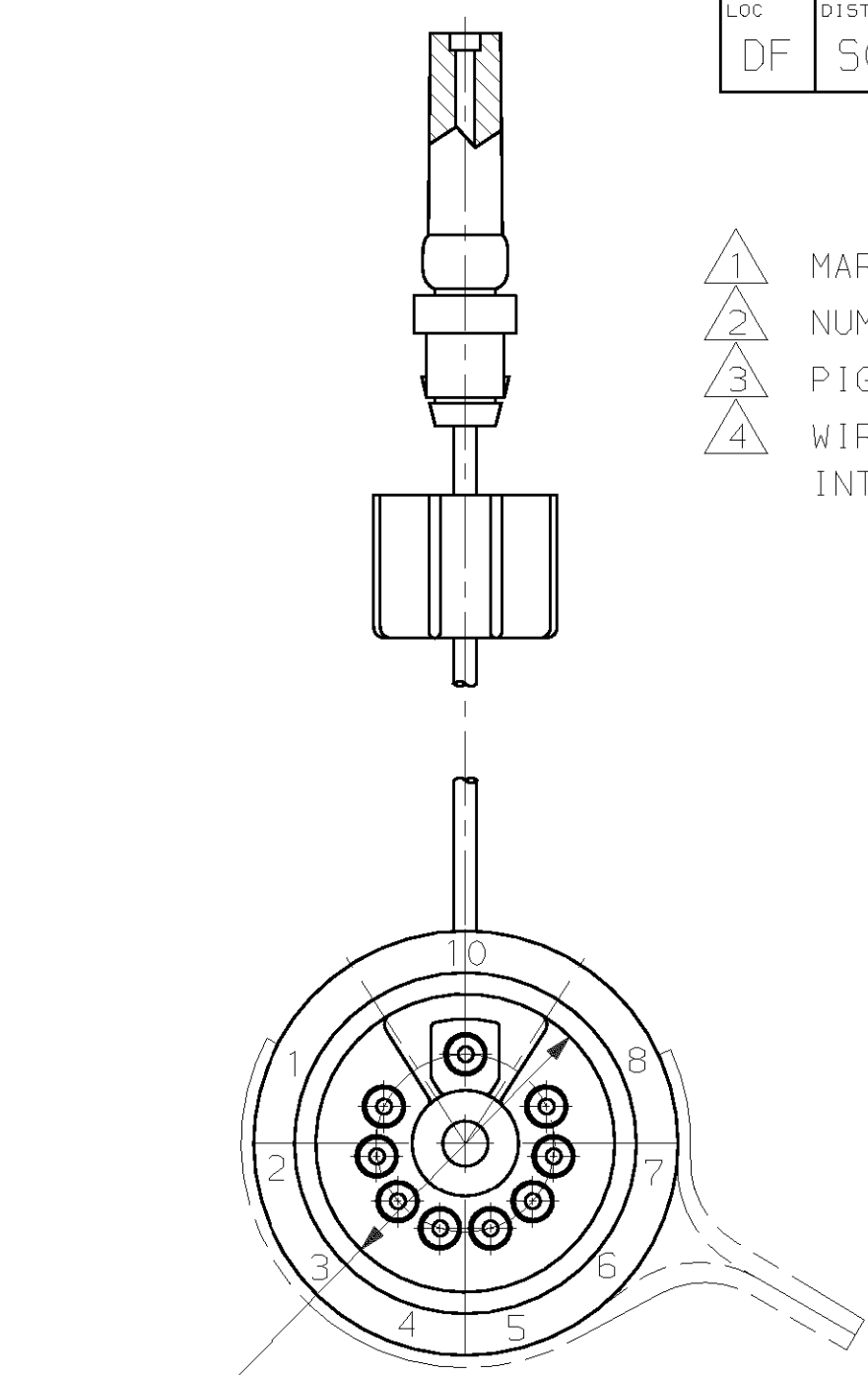


443118-2 & -3  
 ASSEMBLED VIEW  
 WIRES EXIT BETWEEN  
 PIN #6 & #7

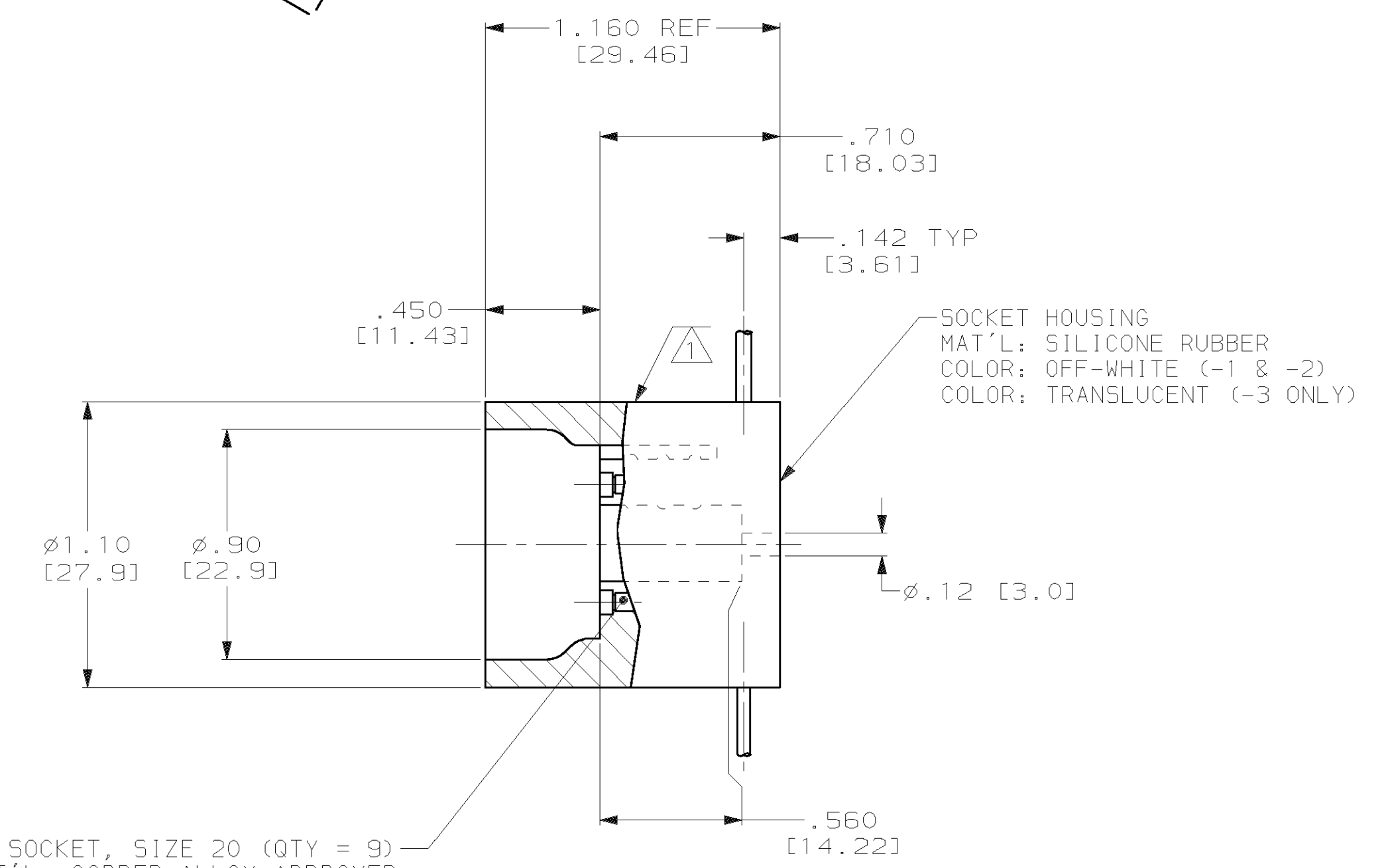
VIEW V-V



443118-1 VIEW SHOWN  
 WITHOUT #24 AWG WIRES



443118-2 & -3 VIEW SHOWN  
 WITHOUT #24 AWG WIRES  
 MATERIALS AND DIMENSIONS  
 ARE THE SAME AS -1  
 EXCEPT AS SHOWN AND NOTED



SOCKET, SIZE 20 (QTY = 9)  
 MAT'L: COPPER ALLOY APPROVED  
 PER MIL-C-39029  
 FINISH: GOLD PER MIL-G-45204

DO NOT SCALE PRINT. UNLESS SPECIFIED DIMENSIONS IN INCHES [mm]	DR 6-2-97 C.C. THOMAS
TOLERANCES ON:	CHK 6-2-97 D. EABY
2 PLC DEC ± .02 [0.51]	APPD 6-2-97 D. EABY
3 PLC DEC ± .010 [0.253]	APPD 6-2-97 C.C. THOMAS
ANGLES ± 0°30'	PRODUCT SPEC
MATERIAL	SEE CALLOUTS
FINISH	SEE CALLOUTS
APPLICATION SPEC	-
WEIGHT	-

AMP Incorporated Harrisburg, PA 17105-3608		
NAME		
CRT CABLE ASSY, 11 POSN, LGH		
SIZE	CAGE CODE	DRAWING NO.
D	00779	G-443118
SCALE	SHEET	
2:1	1 OF 1	

THIS DRAWING IS A CONTROLLED DOCUMENT FOR AMP INCORPORATED. IT IS SUBJECT TO CHANGE AND THE CONTROLLING ENGINEERING ORGANIZATION SHOULD BE CONTACTED FOR THE LATEST REVISION.