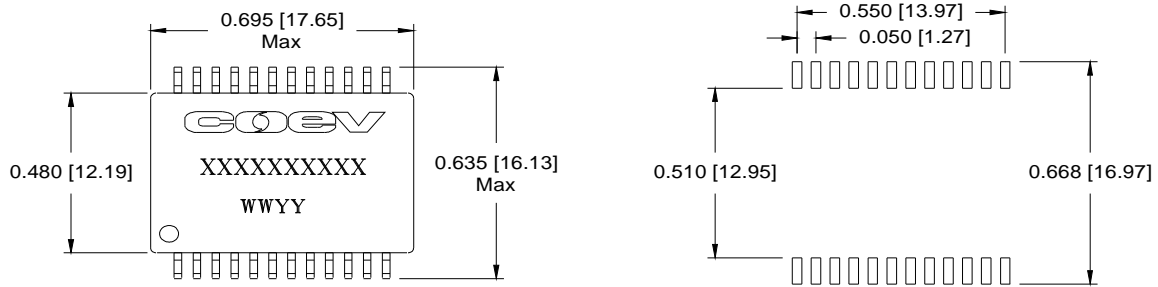


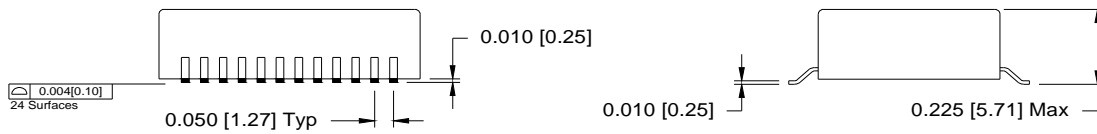
<b>Product Description</b>	<b>1000BASE-T MAGNETICS</b> <b>SINGLE PORT, SURFACE MOUNT MODULE</b>
----------------------------	---

**Standard Features:**

Single port interface for Gigabit application.  
 Compliant with IEEE 802.3 and ANSI X3.263 Standards.  
 Surface mount package designed for reflow process (240°C peak).  
 Tape and Reel packaging standard.  
 Package molded using UL94-V0 rated material.



Suggested Pad Layout



All dimensions are in inches [millimeters].  
 All dimensions are ±0.005[0.127] unless otherwise noted.

**1000BASE-T Electrical Characterisitcs @ 25°C**

Inductance: 350uH Min with 8mADC Bias, 0°C - 70°C  
 (each transformer measured on the cable side)

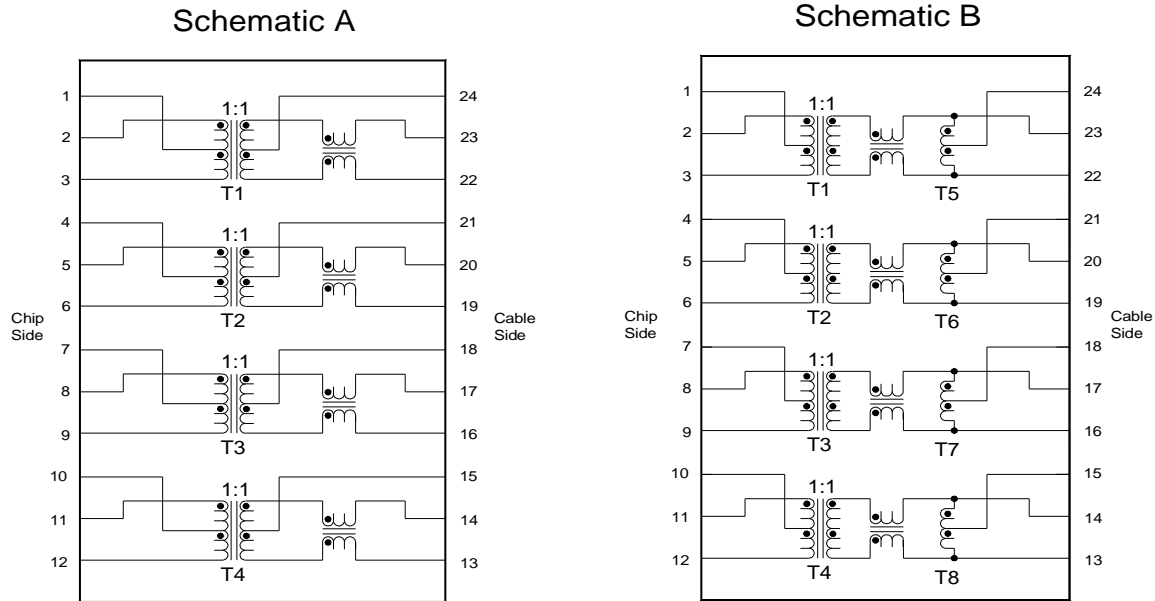
Rise time (10% - 90%): 2.5nSec typical

Dielectric Isolation: 1500Vrms Minimum

Frequency	Insertion Loss (dB Max)	Return Loss (dB Min) (Note 1)	Crosstalk Attenuation (dB Min)	CMRR (dB Min)
0.1MHz - 1MHz	1.0	18.0	43.0	46.0
1.1MHz - 15MHz	0.4	18.0	35.0	46.0
15.1MHz - 40MHz	0.6	18.0	35.0	46.0
40.1MHz - 60MHz	0.8	14.5 @ 60Mhz	30.0	42.0
60.1MHz - 80MHz	1.2	12.0 @ 80MHz	30.0	42.0
80.1MHz - 100MHz	1.3	10.1 @ 100MHz	30.0	42.0

Notes:  
 1) Minimum return loss is as follows with a circuit impedance of 100 Ohms +/- 15%:  
 0.1Mhz - 39.9Mhz = 18dB  
 40Mhz - 100MHz = 12 - 20Log<sub>10</sub>(f/80) dB where f is in MHz

<b>Product Description</b>	<b>1000BASE-T MAGNETICS</b> <b>SINGLE CHANNEL, SURFACE MOUNT MODULE</b>
----------------------------	--



**Part Number Table**

Part Number	Schematic	Packaging
GB1G01	A	Epoxy Filled
GB1G04	B	Epoxy Filled
GB1G24	B	Epoxy Filled
MGG1S-00005	B	Open Cup

Tolerances unless otherwise specified; Angles:  $\pm 1^\circ$ , Fractions:  $\pm 1/64$ , Decimals:  $\pm 0.005(.127\text{mm})$

The information contained in this drawing is the sole property of CoEv, Inc. Any reproduction or use without the written permission of CoEv, Inc. is prohibited.

TEL 888-978-2638 - FAX 605-886-8995 - Specifications subject to change without notice. For latest revision visit [www.tycopowercomponents.com](http://www.tycopowercomponents.com)