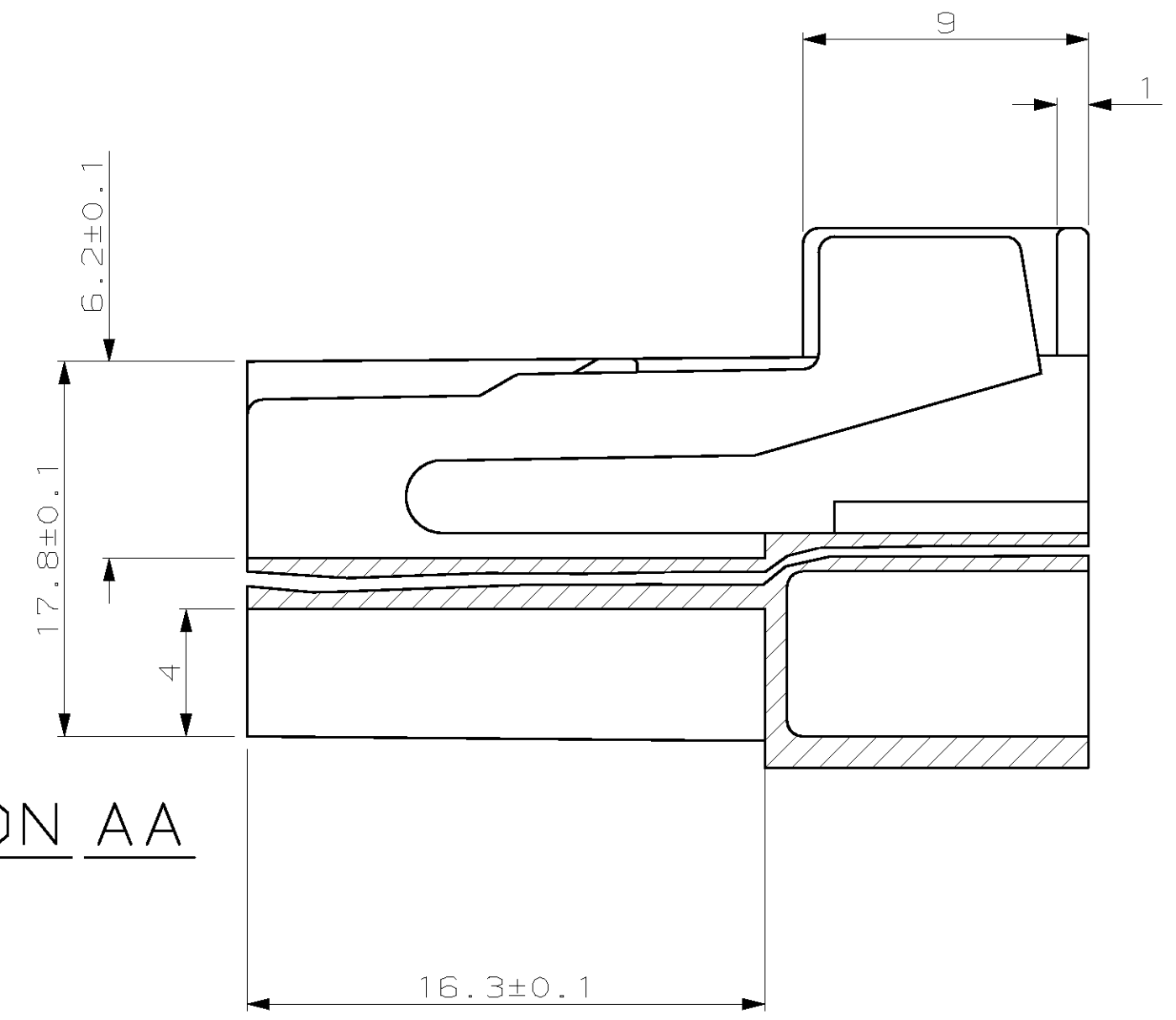
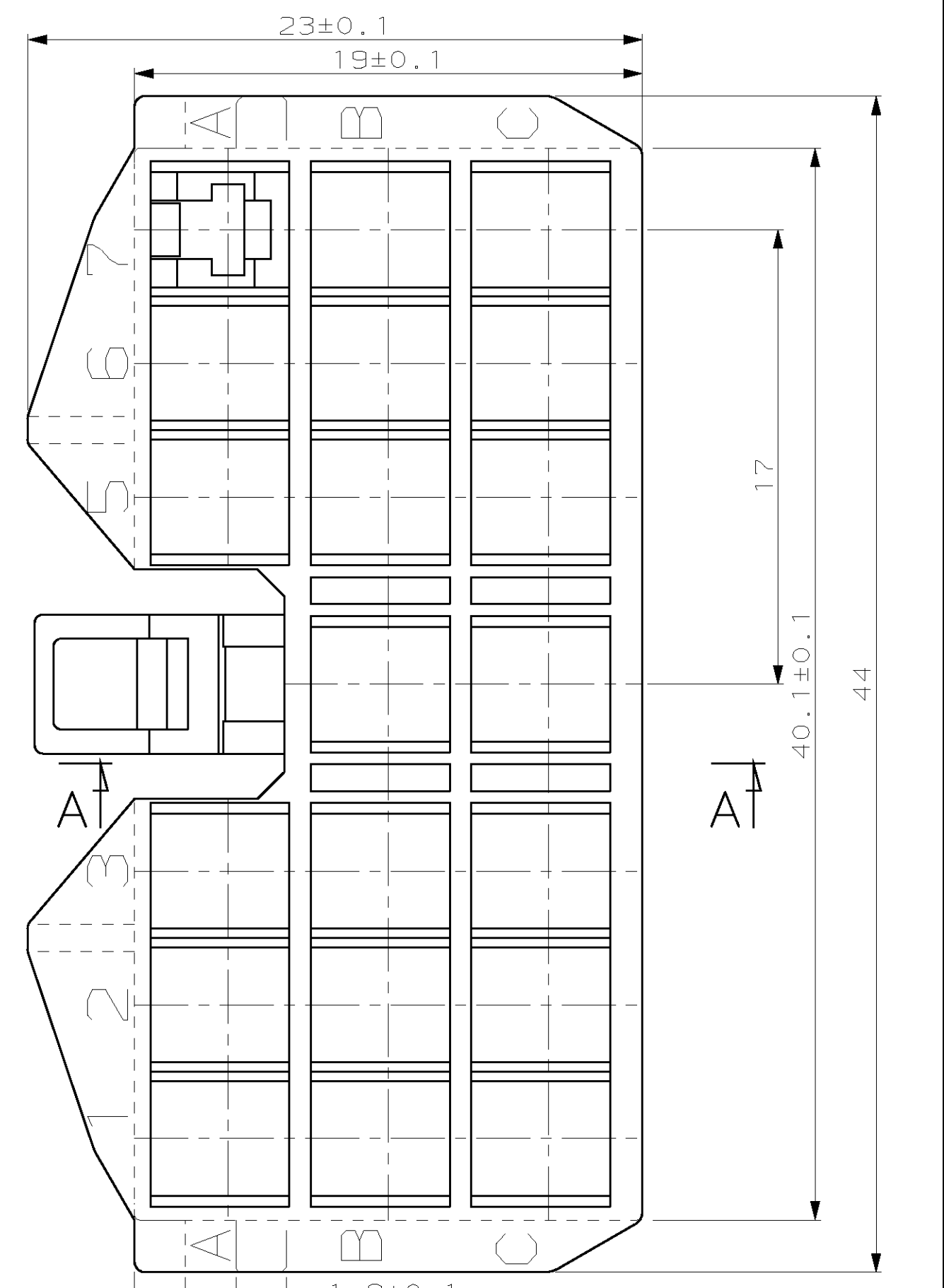
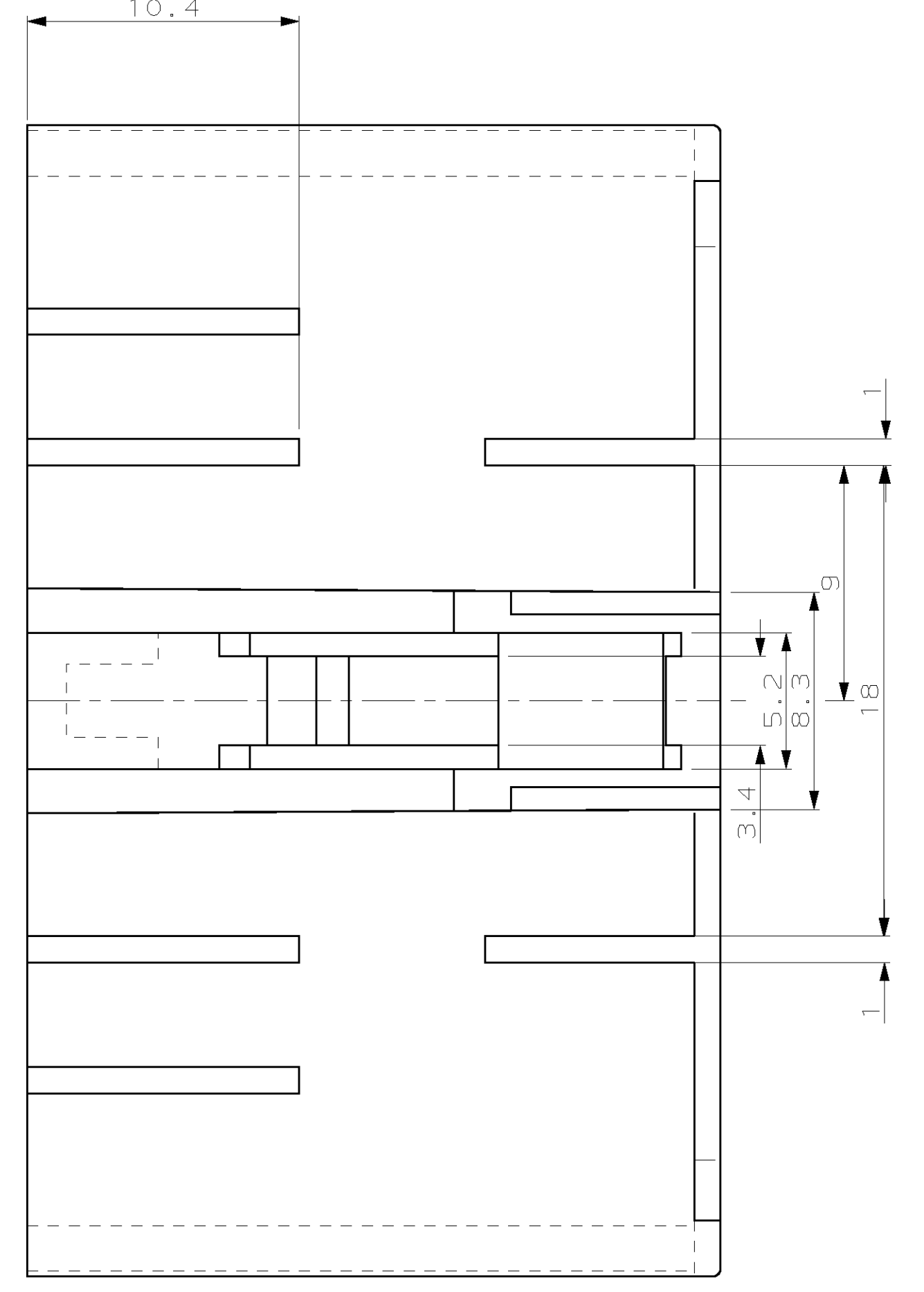
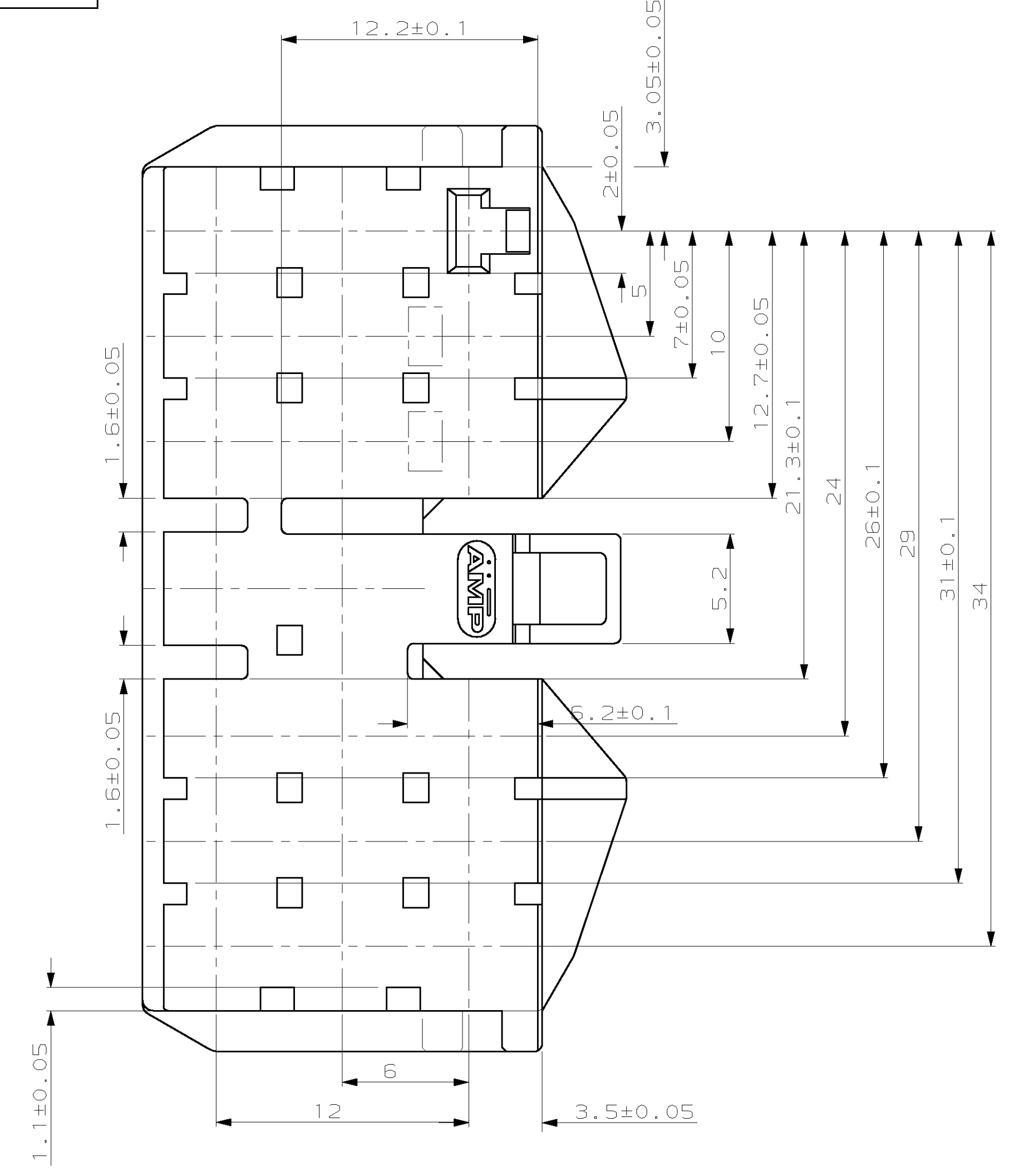
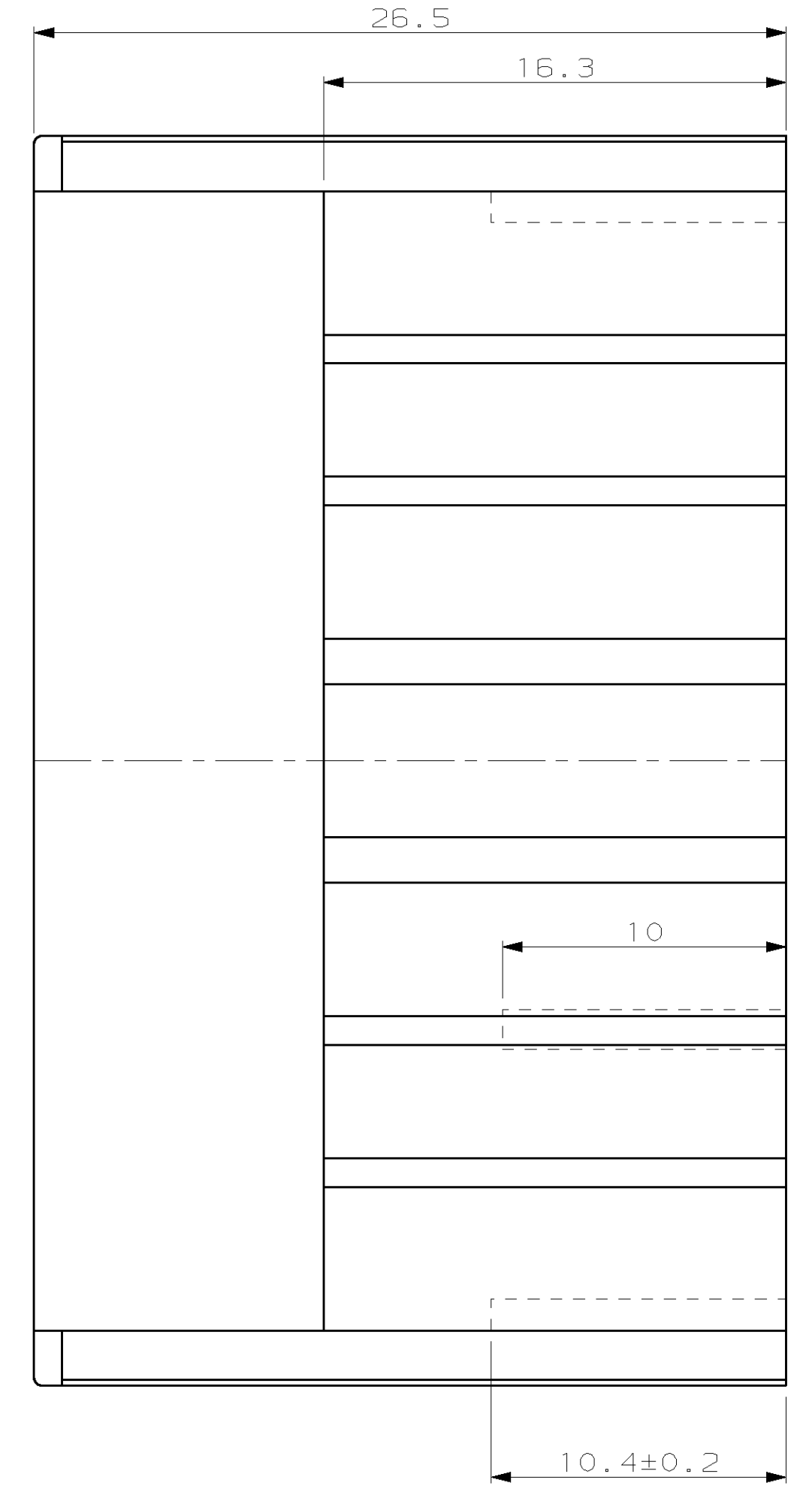
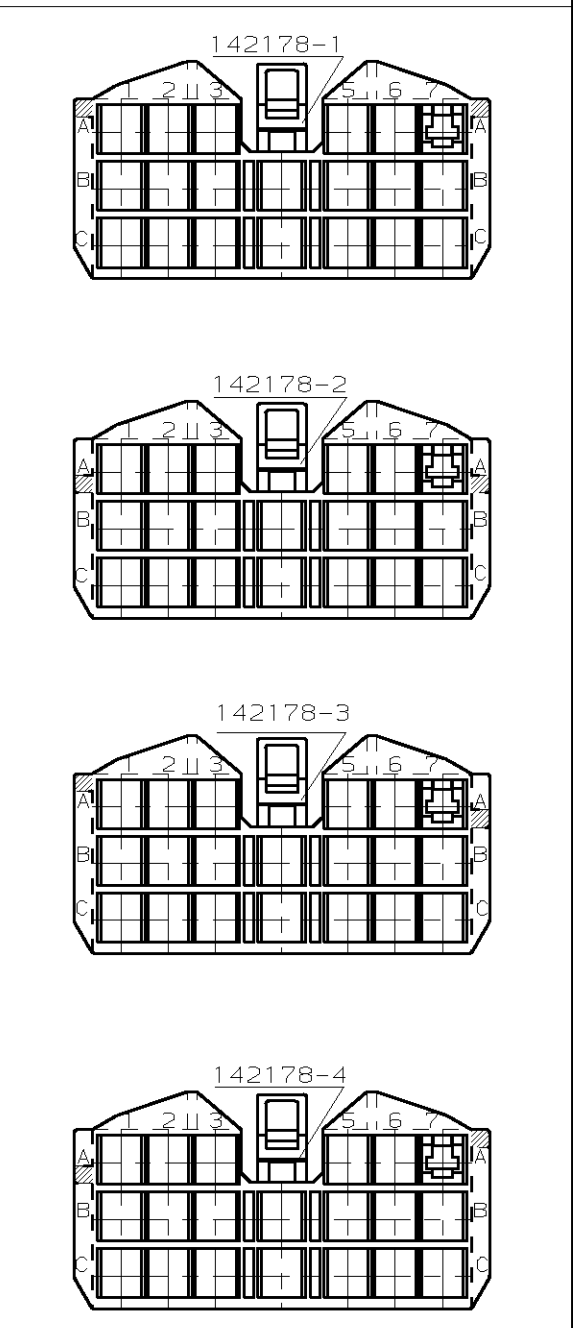


LOC		DIST		REVISIONS			
F	7	F	7	DESCRIPTION MODIFICATIONS	DATE	OWN DESS.	APPRO. APP.
F	7	F	7	COTES ET NOTES ENLEVEES	21-OCT-02	RP	JD



SECTION AA

POLARIZATION TABLE (VIEW F)
(tableau de detrompage)



P. R. C.	COLOR (couleur)	P. N.
G	GRAY (gris)	-4
G	BROWN (marron)	-3
G	BLACK (noir)	-2
G	(naturel ou blanc) NATURAL OR WHITE	142178-1

THIS DRAWING IS A CONTROLLED DOCUMENT. CE PLAN EST UN DOCUMENT CONTROLE.		DWG/DESSINE Reini PATIN 21-OCT-02	TYCO ELECTRONICS FRANCE SAS BP 39, 95301 CERGY-PONTOISE CEDEX	NAME TITRE	
DIMENSIONS: mm		CHK/VERIFIE JP PICAUD 21-OCT-02		PRODUCT SPEC SPEC. PRODUIT	SIZE FORMAT
TOLERANCES UNLESS OTHERWISE SPECIFIED, (SAUF NB DE DECIMALES): FRACTIONNELLES DECIMALES ±0.2 ±0.1 ±0.05 ±0.025		APPROVED J. DAHER 21-OCT-02	APPLICATION SPEC SPEC. APPLICATION	DRAWING NO 100779	
MATERIAL MATERIE PA 6.6		FINISH FINITION -	WEIGHT MASSE APPROX. -	SHEET OF FEUILLE DE 1	
		CUSTOMER DRAWING/PLAN CLIENT POUR REFERENCE		SCALE EHELLES: 1	