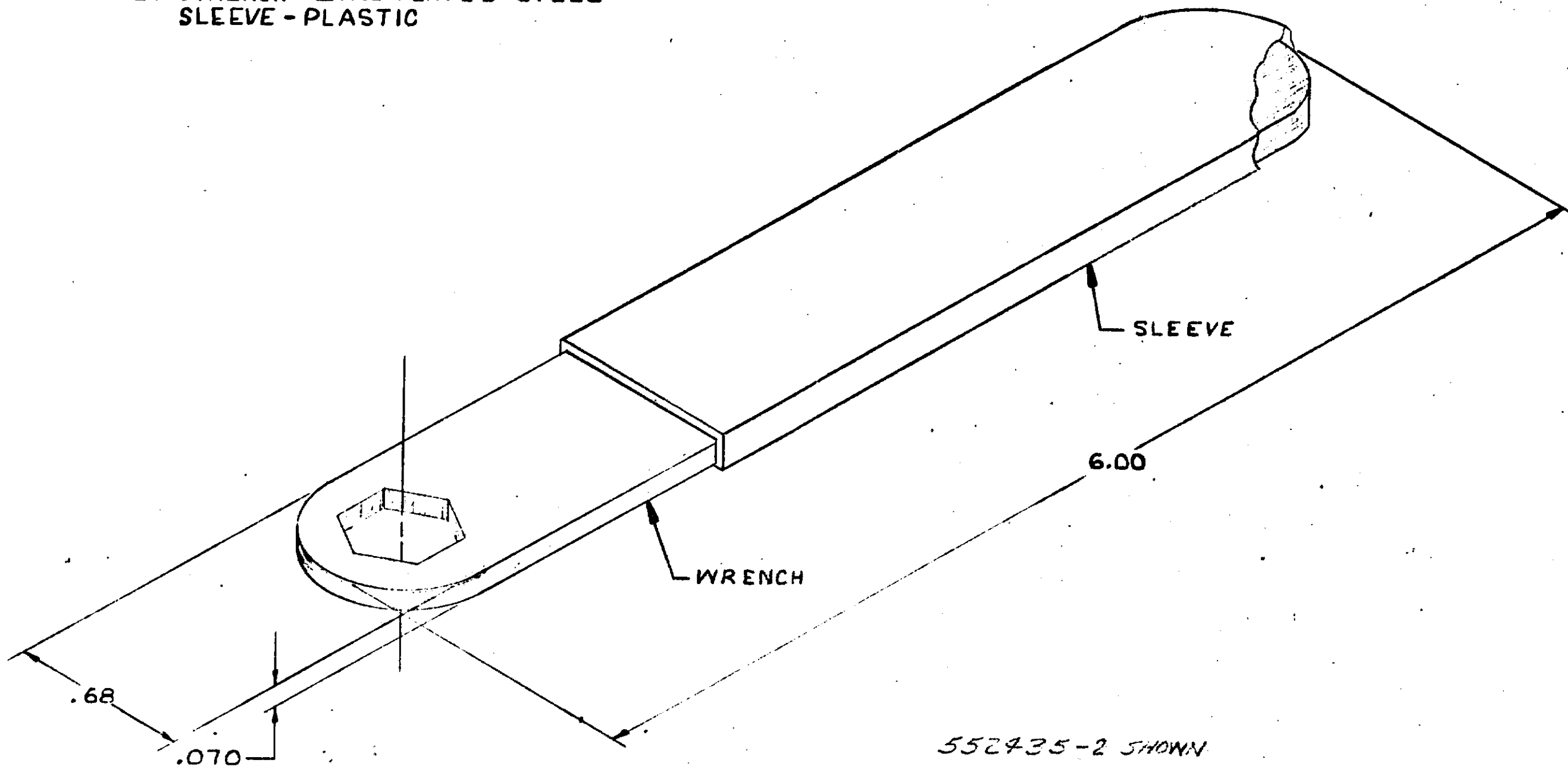


© COPYRIGHT 1973 BY AMP INCORPORATED, HARRISBURG, PA.
 ALL INTERNATIONAL RIGHTS RESERVED. AMP INCORPORATED PRODUCTS
 COVERED BY U. S. AND FOREIGN PATENTS AND/OR PATENTS PENDING.

		REVISIONS				LOG	DIST
P	F	ZONE	LTR	DESCRIPTION	DATE	APPROVED	
B			B	REVISED PER ECN AA-2	10-11-83	ND	SD

⚠ MATERIAL: WRENCH - ZINC PLATED STEEL
 SLEEVE - PLASTIC



UNLESS OTHERWISE SPECIFIED DIMENSIONS ARE IN INCHES. TOLERANCES ON: DECIMALS ± .020 ANGLES ± .5°		CONTRACT NO		PART NO	
MATERIAL		DR <i>Special Project 9/12/83</i>		AMP INCORPORATED Harrisburg, Pa.	
FINISH		CHK <i>[Signature]</i> 10/15/83		NAME WRENCH, 1/4-20 HEX HEAD BOLT	
		APPD		SIZE B	CODE IDENT NO 06779
		DSGN APPD		NUMBER 552435	
		OTHER APPD		SCALE 2/1	SHEET 1 OF 1