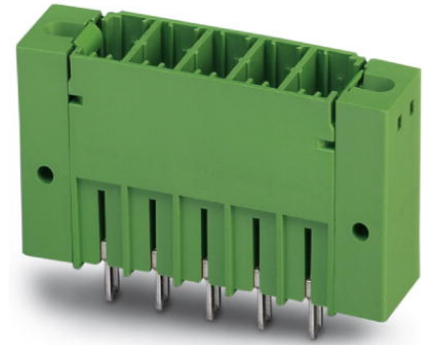


PCV 5/ 6-GF-7,62

Order No.: 1720945

The figure shows a 5-pos. version of the product

<http://eshop.phoenixcontact.de/phoenix/treeViewClick.do?UID=1720945>Header, Nominal current: 41 A, Nom. voltage: 500 V, Pitch: 7.62 mm,
Number of positions: 6, Color: green, Assembly: Soldering

Commercial data

EAN	4046356114066
Pack	50 pcs.
Customs tariff	85366990
Weight/Piece	0.01876 KG
Catalog page information	Page 393 (CC-2009)

Product notes

WEEE/RoHS-compliant since:
12/05/2005

<http://www.download.phoenixcontact.com>
Please note that the data given here has been taken from the online catalog. For comprehensive information and data, please refer to the user documentation. The General Terms and Conditions of Use apply to Internet downloads.

Technical data

Dimensions / positions

Pitch	7.62 mm
Dimension a	38.1 mm
Number of positions	6
Pin dimensions	0,8 x 1,0
Pin spacing	7.62 mm

Hole diameter	1.3 mm
Technical data	
Insulating material group	I
Rated surge voltage (III/3)	6 kV
Rated surge voltage (III/2)	6 kV
Rated surge voltage (II/2)	6 kV
Rated voltage (III/2)	630 V
Rated voltage (II/2)	800 V
Connection in acc. with standard	EN-VDE
Nominal current I_N	41 A
Nominal voltage U_N	500 V
Maximum load current	41 A
Insulating material	PA
Inflammability class acc. to UL 94	V0

Certificates / Approvals



Certification CUL, UL

CUL

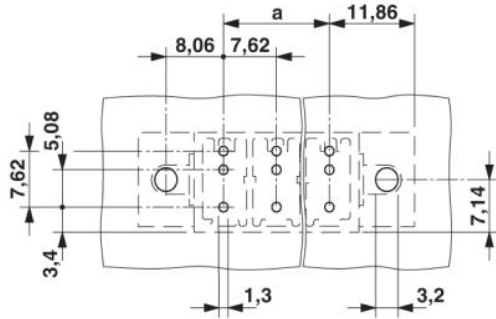
Nominal voltage U_N	300 V
Nominal current I_N	41 A

UL

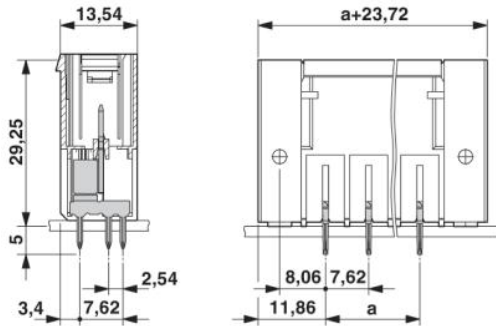
Nominal voltage U_N	300 V
Nominal current I_N	41 A

Diagrams/Drawings

Drilling plan/solder pad geometry



Dimensioned drawing



Address

PHOENIX CONTACT Inc., USA
586 Fulling Mill Road
Middletown, PA 17057, USA
Phone (800) 888-7388
Fax (717) 944-1625
<http://www.phoenixcon.com>



© 2010 Phoenix Contact
Technical modifications reserved;