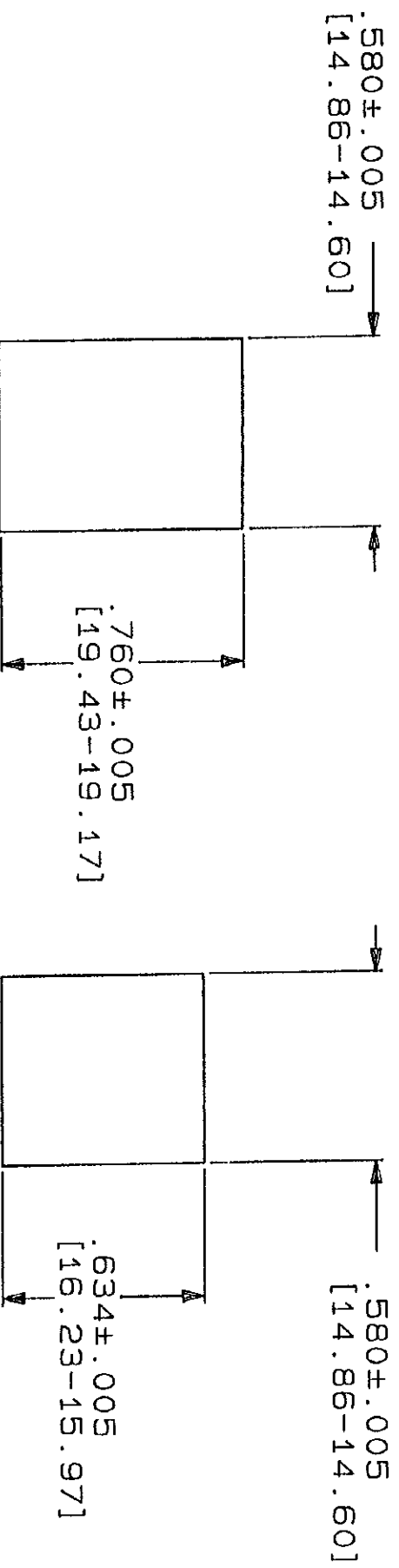
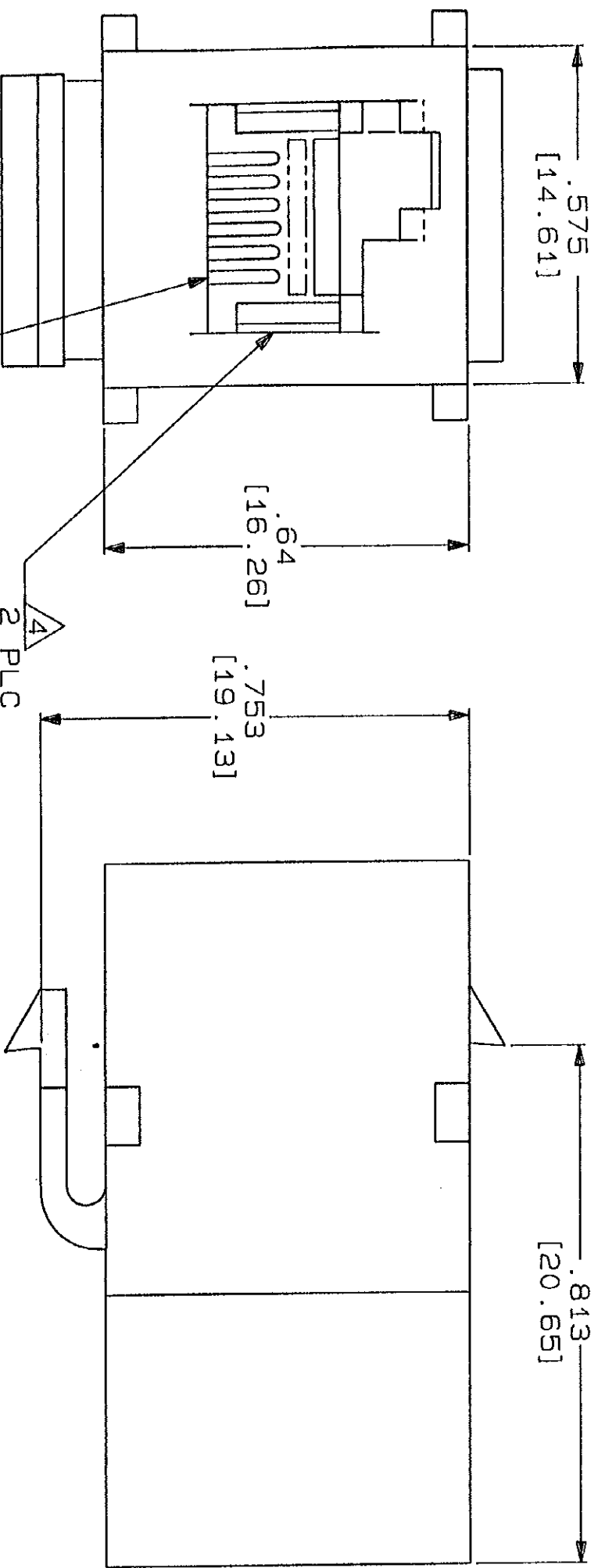
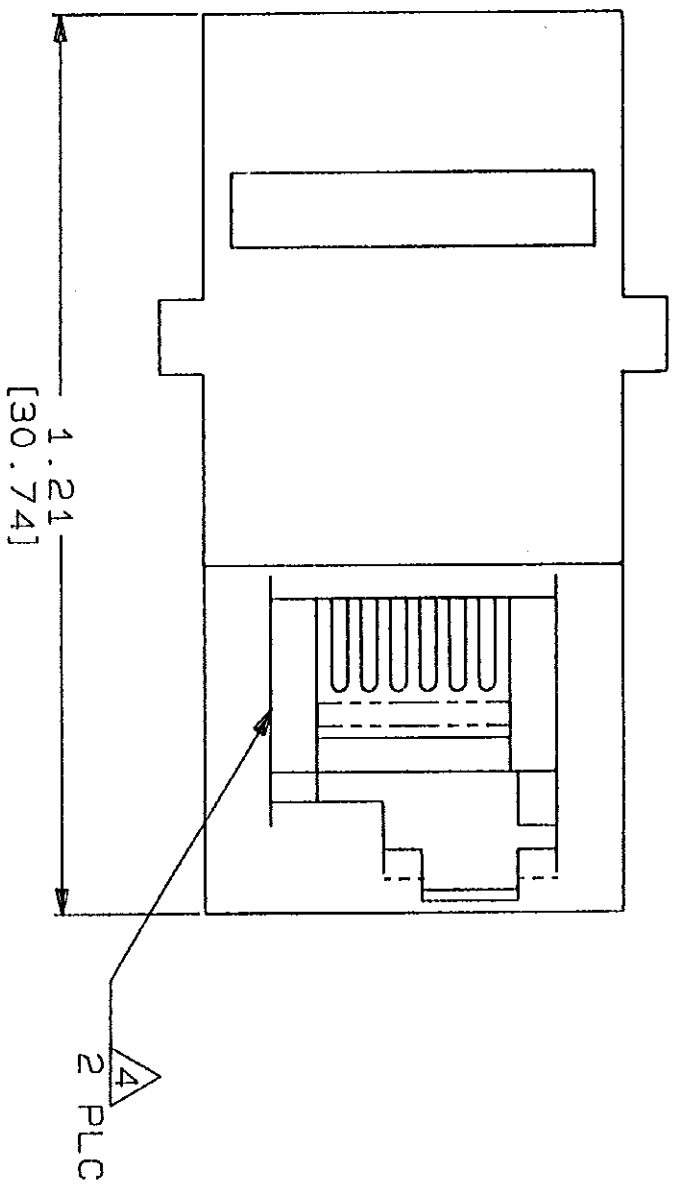
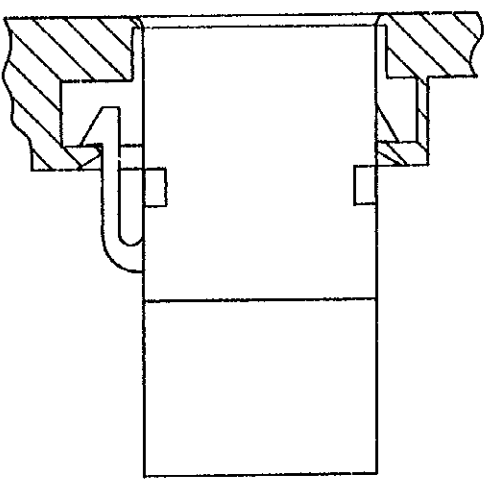


LOC	QST	F	ZONE	LTR	REVISIONS DESCRIPTION	DATE	APPD
AA	28	P			0	11/16/89	JW
					RLSD: NPR C89-134		N.A.

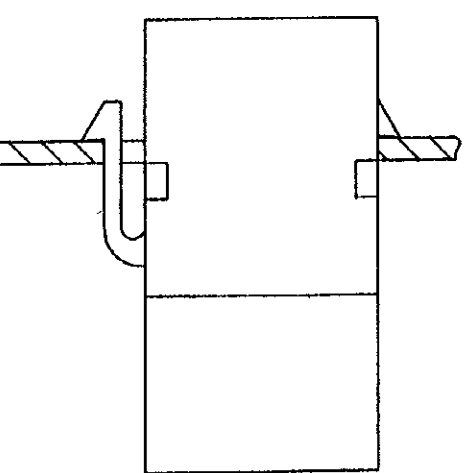


RECOMMENDED PANEL CUTOUT FOR SINGLE WALL PLATE AND BACK PANEL FOR DOUBLE WALL PLATE

RECOMMENDED FRONT PANEL CUTOUT FOR DOUBLE WALL PLATE



DOUBLE WALL PLATE NOT TO SCALE



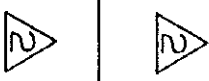
SINGLE WALL PLATE NOT TO SCALE

1. ALL DIMENSIONS SHOWN ARE MAXIMUM UNLESS OTHERWISE SPECIFIED.
2. MATERIAL:
HOUSING- POLYPHENYLENE OXIDE, BLACK, TERMINAL-Ø.018 [0.46] PHOSPHOR BRONZE PLATED WITH .000050 [1.27µM] MINIMUM THICK GOLD OVER .000050 [1.27µM] MINIMUM THICK NICKEL.
3. MOUNTING PANEL THICKNESS .062 [1.58] NOMINAL.

△ CAVITIES SHALL CONFORM TO FCC RULES AND REGULATIONS, PART 68, SUBPART F.

DO NOT SCALE PRINT.
 UNLESS SPECIFIED DIMENSIONS IN INCHES (MM) TOLERANCES ON:
 1. DIMENSIONS IN INCHES
 2. PLC DEC #
 3. PLC DEC #
 ANGLES #
 MATERIAL

FINISH



556626-1
 PART NO

AMP AMP INCORPORATED
 HARTFORD, PA. 17105

NAME
 COUPLER ASSEMBLY, 6 POSITION, RIGHT ANGLE, MODIFIED MODULAR JACK/MODIFIED MODULAR JACK

SIZE FSCM NO DRAWING NO
 C 00779 556626
 SCALE 4:1 SHEET 1 OF 1

556626

CAD DRAWINGS
 THIS DRAWING WAS CREATED BY A COMPUTER AIDED DESIGN (CAD) SYSTEM. TO INSURE THE INTEGRITY OF THE DATA BASE ALL CHANGES/ REVISIONS MUST BE MADE ON THE CAD SYSTEM.