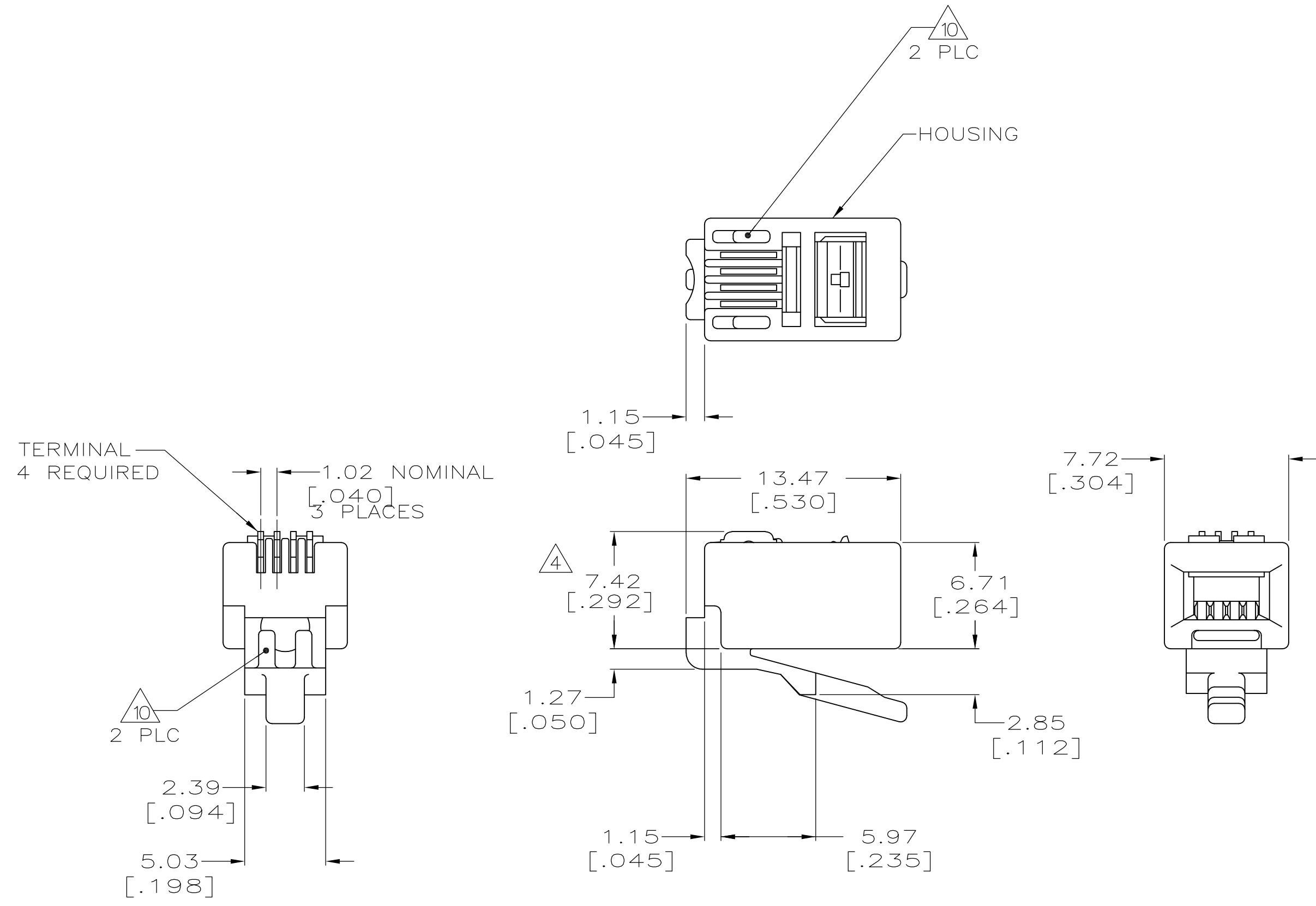


THIS DRAWING IS UNPUBLISHED. RELEASED FOR PUBLICATION  
 © COPYRIGHT BY TYCO ELECTRONICS CORPORATION. ALL RIGHTS RESERVED.

LOC	DIST	REVISIONS					
HM	00	P	LTR	DESCRIPTION	DATE	DWN	APVD
		V		OBS. 6/3, EC 0502-0843-97	20MAY98	DS	EL
		W		SUPSD -1, REV ECO-07-029245	19MAR08	LH	BM
		Y		REV ECO-08-007212	31MAR08	LH	BM



- ① DIMENSIONS ARE MAXIMUM UNLESS OTHERWISE SPECIFIED.
- ② MATERIAL: HOUSING—POLYCARBONATE, CLEAR. TERMINAL—0.36[.014] THICK PHOSPHOR BRONZE PLATED WITH 1.27 $\mu$ m[.000050] THICK GOLD IN LOCALIZED GOLD PLATE AREA, GOLD FLASH OVER THE REMAINDER, OVER 2.54 $\mu$ m[.000100] THICK NICKEL UNDERPLATE.
- 3. PLUG WILL ACCEPT 26 OR 28 AWG STRANDED WIRE, 0.99[.039] MAX INSULATION DIAMETER, WITH A 2.29 X 4.83 [.090 X .190] OVAL JACKET.
- ④ TERMINATED DIMENSION 6.15[.242] MAXIMUM.
- ⑥ 10,000 ASSEMBLES PER PACKAGE.
- ⑦ 1000 ASSEMBLIES PER PACKAGE.
- ⑧ 100 ASSEMBLIES PER PACKAGE.
- ⑨ 25 ASSEMBLIES PER PACKAGE.

**SUPERSEDED BY 5-641334-2**

⑨	5-641334-7
⑧	5-641334-3
⑦	5-641334-2
⑥	5-641334-1
REELED ⑩	641334-1
PACKAGED	PART NO.

THIS DRAWING IS A CONTROLLED DOCUMENT.		DWN	8-31-93	Tyco Electronics Corporation	
DIMENSIONS: MM [INCHES]		YTP/UTA		Harrisburg, PA 17105-3608	
TOLERANCES UNLESS OTHERWISE SPECIFIED:		CHK	9-15-93	NAME	
0 PLC ± - ①		C.WHITT		MODULAR PLUG ASSEMBLY, 4 POSITION, HANDSET	
1 PLC ± - ①		APVD	-	SIZE	RESTRICTED TO
2 PLC ± - ①		PRODUCT SPEC		A2	-
3 PLC ± - ①		APPLICATION SPEC	108-1163	CAGE CODE	
4 PLC ± - ①		WEIGHT	114-6016	DRAWING NO	
ANGLES ± - ①		CUSTOMER DRAWING		SCALE	
FINISH ± - ②				4:1	
				SHEET	
				1 OF 1	
				REV	
				Y	

641334

A