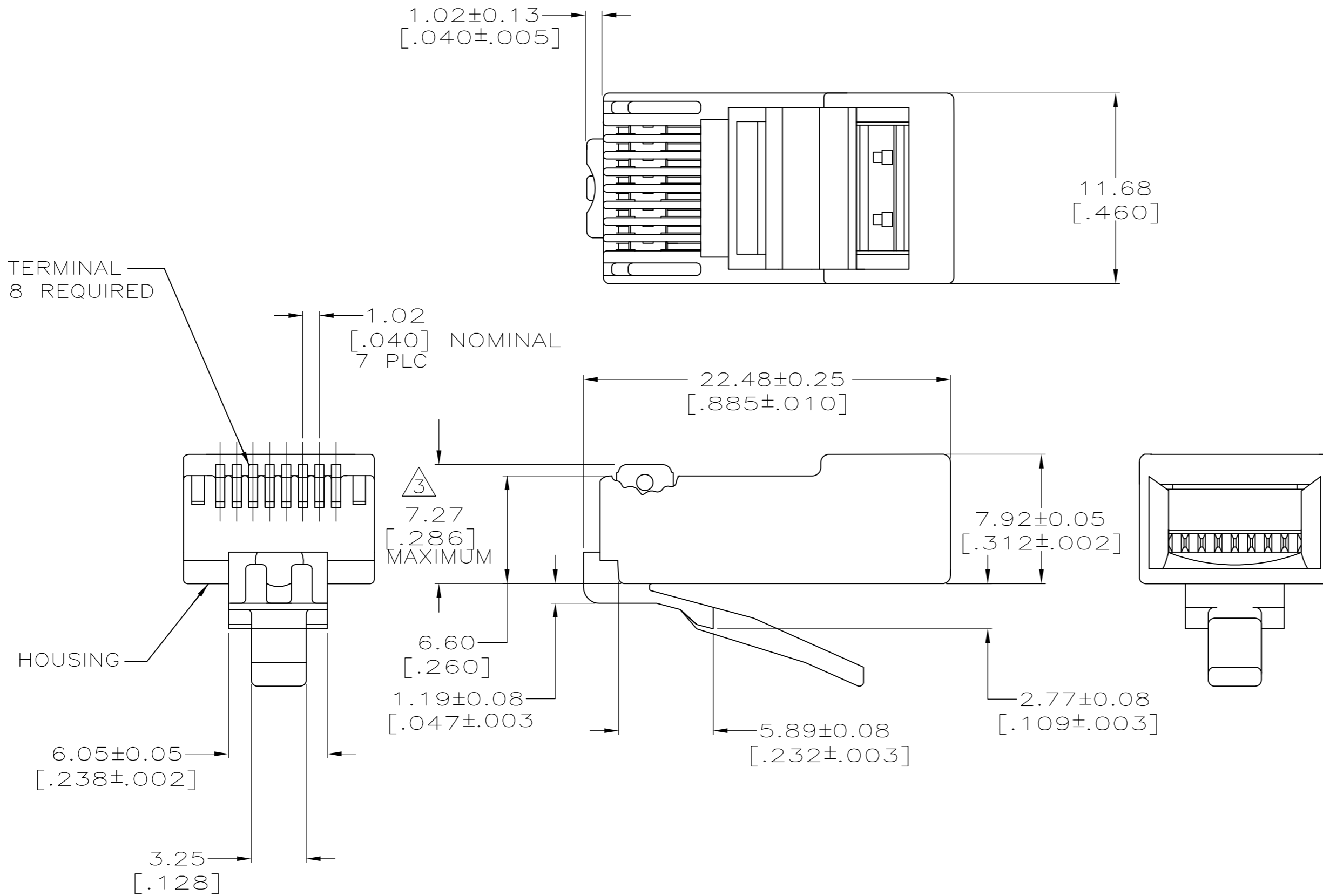


THIS DRAWING IS UNPUBLISHED. RELEASED FOR PUBLICATION
 © COPYRIGHT BY TYCO ELECTRONICS CORPORATION. ALL RIGHTS RESERVED.

LOC		DIST		REVISIONS			
P	LTR	DESCRIPTION		DATE	DWN	APVD	
	A	OBS:5/1,5/3;EC 0502-0830-97		19MAY98	DS	EL	
	A1	REV ECO-08-004864		29FEB08	LH	BM	



- 1 MATERIAL: HOUSING— POLYCARBONATE, CLEAR
 TERMINAL— PHOSPHOR BRONZE, PLATED WITH 1.27 μm [.000050] MINIMUM THICK GOLD IN LOCALIZED GOLD PLATE AREA, GOLD FLASH OVER THE REMAINDER, OVER 2.54 μm [.000100] MINIMUM THICK NICKEL UNDERPLATE.
- 2. PLUG WILL ACCEPT 24 OR 26 AWG SOLID WIRE, 0.74–0.99 [.029–.039] DIAMETER. CABLE JACKET OUTSIDE DIAMETER 5.08 [.200] MAXIMUM.
- 3 TERMINATED DIMENSION 6.15 [.242] MAXIMUM.
- 5 500 ASSEMBLIES PER PACKAGE.

5	5-569215-2
PACKAGED	PART NO.

THIS DRAWING IS A CONTROLLED DOCUMENT.		DWN	B.SIMPSON	3-03-95	Tyco Electronics Corporation Harrisburg, PA 17105-3608				
DIMENSIONS: mm [INCHES]		CHK	C. WHITT	3-16-95					
TOLERANCES UNLESS OTHERWISE SPECIFIED:		APVD	E. LAURER	3-23-95					
0 PLC ± - 1 PLC ± - 2 PLC ± - 3 PLC ± 0.10[.004] 4 PLC ± - ANGLES ± - FINISH ± -		PRODUCT SPEC	108-1163						
MATERIAL		APPLICATION SPEC	114-6016		NAME	MODULAR PLUG ASSEMBLY, 8 POSITION, SMALL OPENING, ROUND CABLE, SOLID WIRE			
		WEIGHT	-		SIZE	CAGE CODE	DRAWING NO	RESTRICTED TO	
		CUSTOMER DRAWING		SCALE	4:1	SHEET	1 OF 1	REV	A1