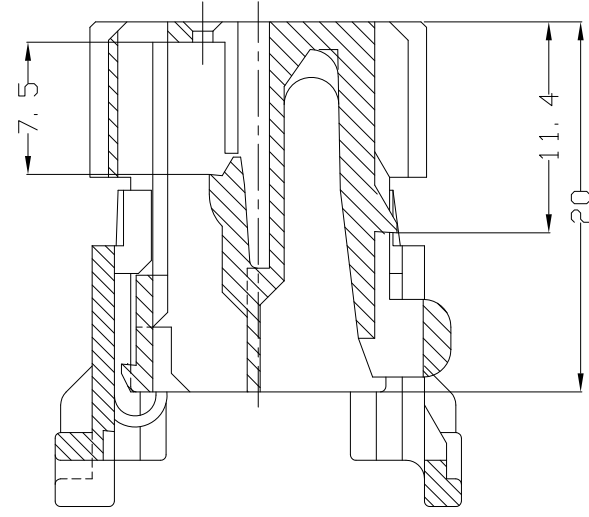
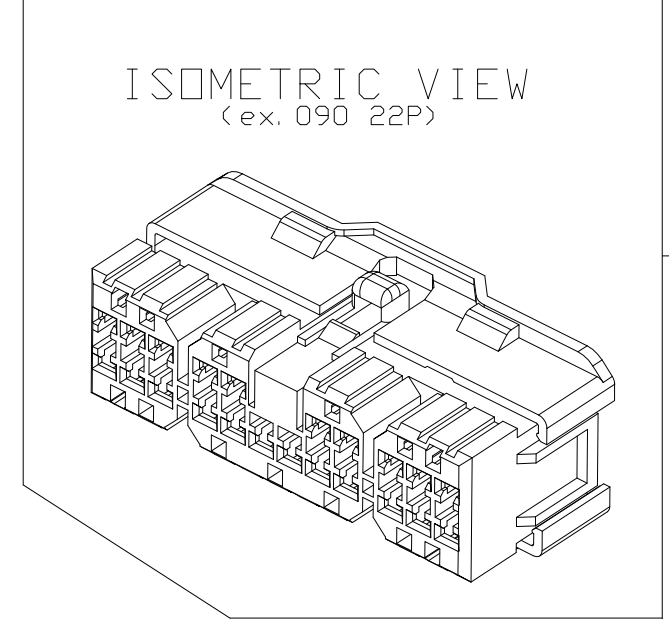
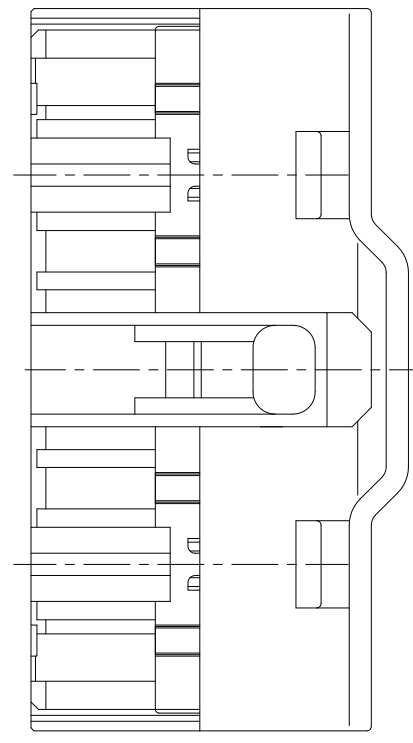
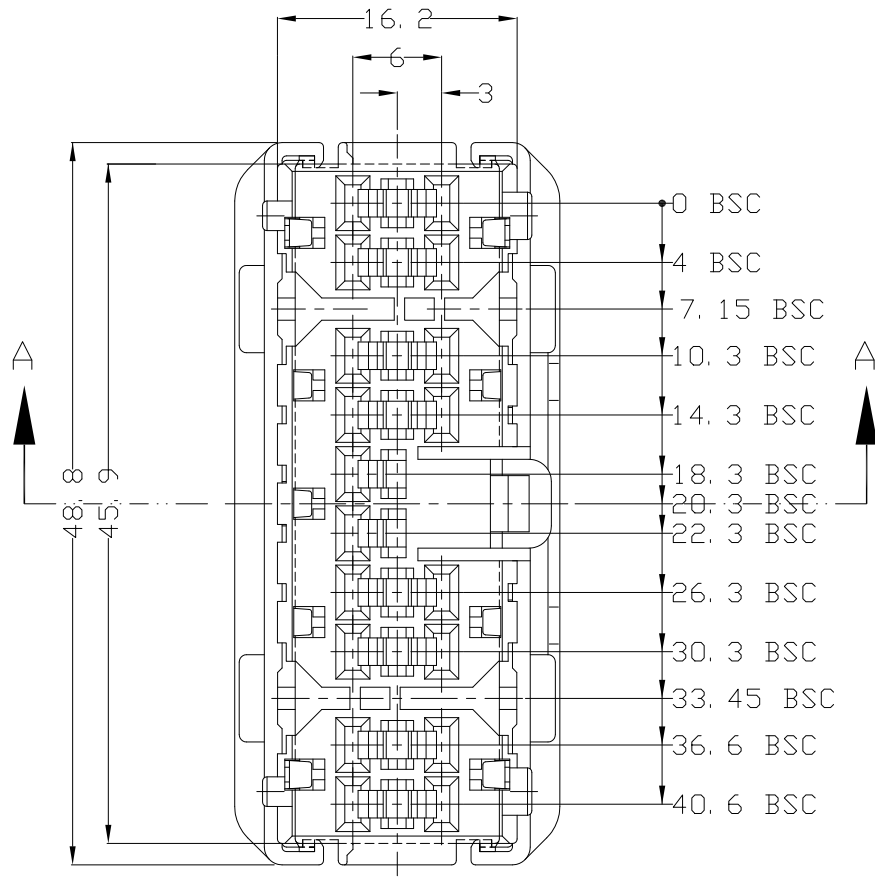


THIS DRAWING IS UNPUBLISHED.

RELEASED FOR PUBLICATION

© COPYRIGHT BY TYCO ELECTRONICS CORPORATION, ALL RIGHTS RESERVED.

LOC	DIST	REVISIONS					
		P	LTR	DESCRIPTION	DATE	DWN	APVD
DS	-	B1		REVISED ECN (FC00-0176-04)	09.AUG.'04	JG	CS
		B2		REVISED (ECR-08-030171)	05.DEC.'08	KT	HG



NOTES.

1. TO BE MATED WITH CAP HSG SMOOTHLY.
2. APPLIED CONTACT P/N ; 368083/368084/368085
3. APPLIED CAP HSG P/N ; 1-368185-1

BLACK	PBT	2-368186-1
NATURAL	PBT	1-368186-1
COLOR	MATERIAL	P/N

<small>THIS DRAWING IS A CONTROLLED DOCUMENT FOR TYCO ELECTRONICS CORPORATION IT IS SUBJECT TO CHANGE AND THE CONTROLLING ENGINEERING ORGANIZATION SHOULD BE CONTACTED FOR THE LATEST REVISION.</small>		DWN KT JUNG CHK JW JUNG APVD HG CHD PRODUCT SPEC - APPLICATION SPEC - WEIGHT - CUSTOMER DRAWING		AMP KOREA, Kyungsan, Korea NAME .090 MLC 18P PLUG HSG SIZE A3 CAGE CODE 00779 DRAWING NO C-368186 RESTRICTED TO -	
DIMENSIONS: MM	TOLERANCES UNLESS OTHERWISE SPECIFIED:				
	0 <XX<10 ± 0.2 10<XX<30 ± 0.25 30<XX ± 0.3 ANGLES ± 3°				
MATERIAL SEE TABLE	FINISH	SCALE 2/1 SHEET 1 OF 1 REV B2			