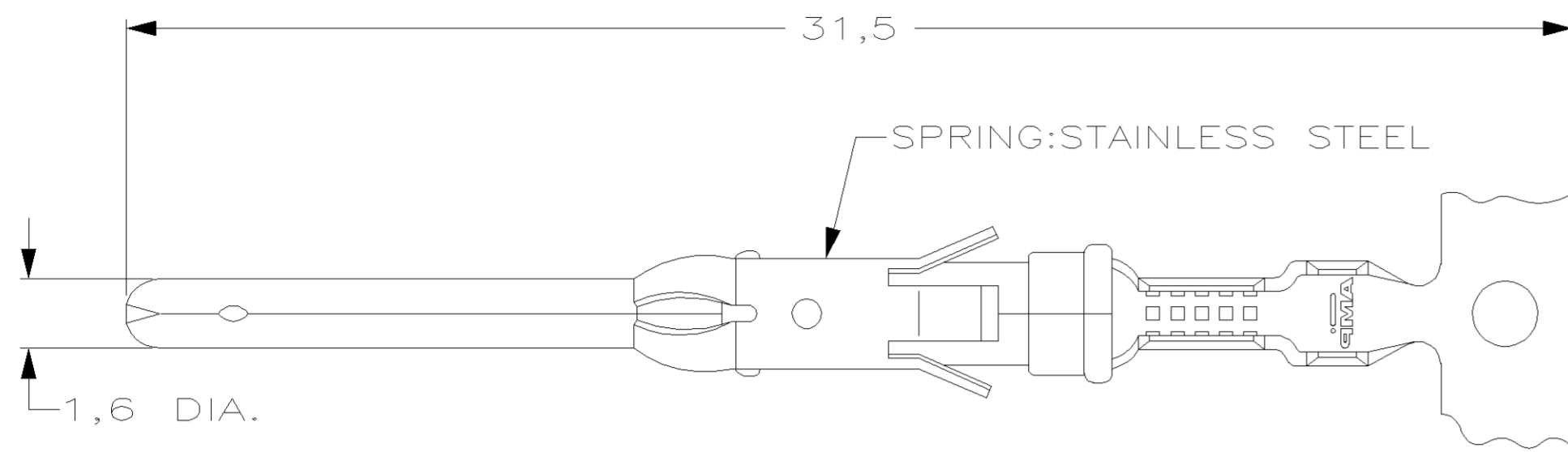
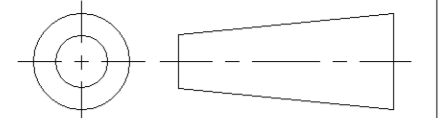


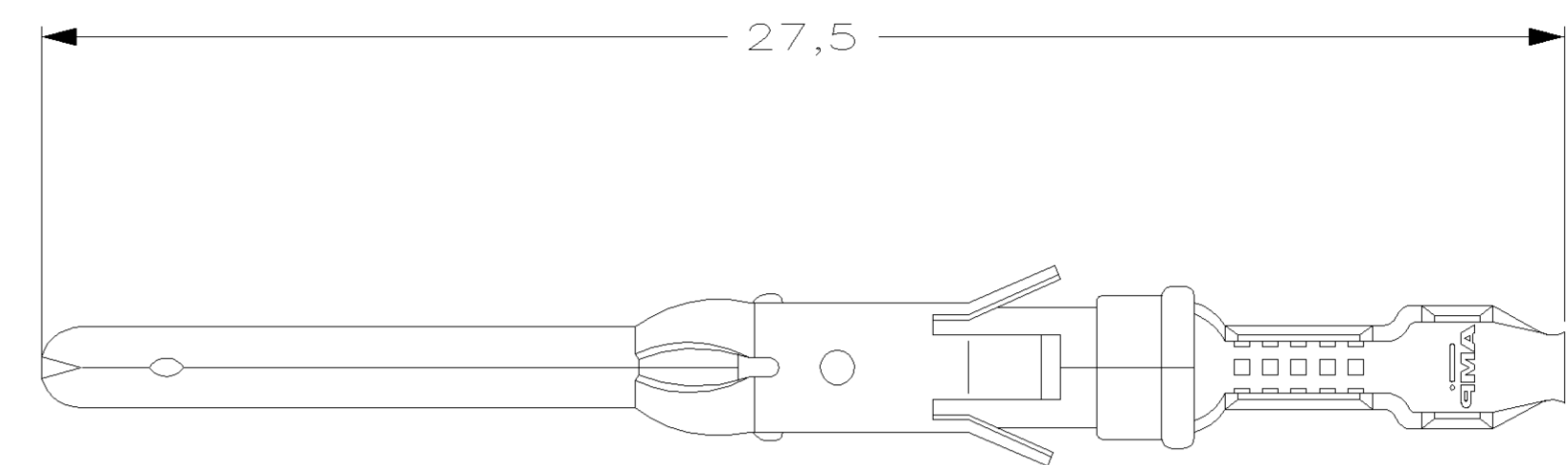
DO NOT SCALE  
DIMENSIONS IN mm

METRIC

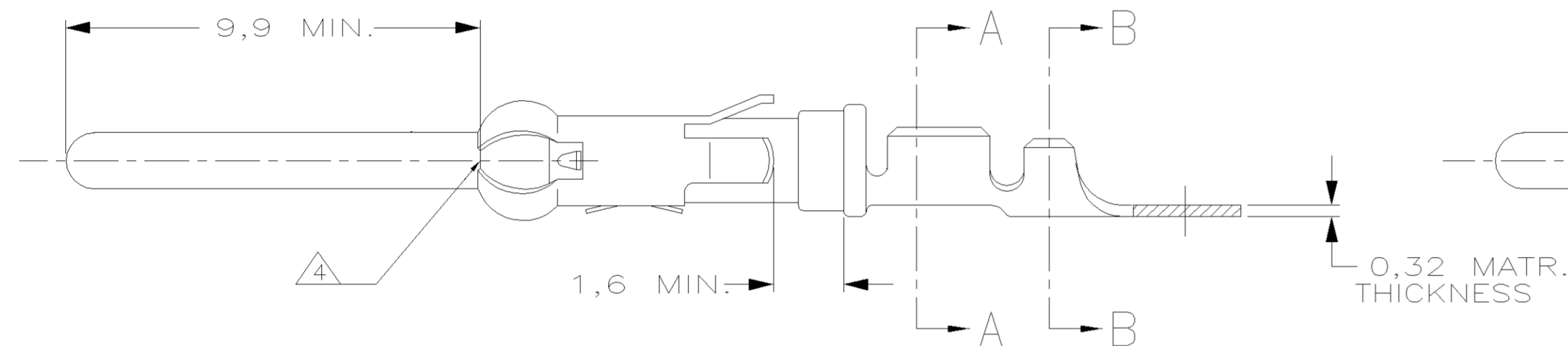
THIRD ANGLE  
PROJECTION



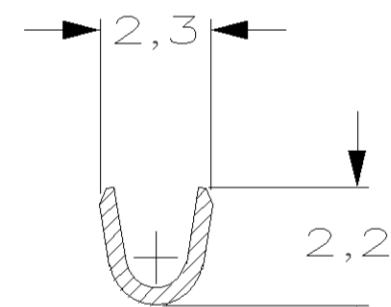
STRIP



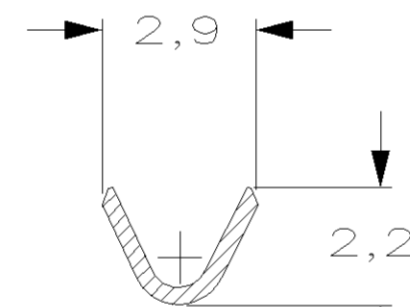
LOOSE-PIECE



COLOR CODE:YELLOW



SECTION A-A



SECTION B-B

WIRE RANGE : 0,20-0,50 mm? (24-20 AWG)  
INSUL. RANGE : 1,1 -1,8 mm (.045-.070)

	1-163085-4	△1	△A	1-163086-1	BRASS	EL.TIN	△31	△20
	1-163085-3		△A	1-163086-3	BRASS	BR. TIN		△30
△32 OBSOLETE	<del>5-163085-3</del>	△5	△C		BRASS	ECON.GOLD		△21
	5-163085-2	△1	△5		BRASS	SEL.GOLD		△22
△32 OBSOLETE	<del>5-163085-1</del>	△1	△5		BRASS	EL.TIN		△20
	1-163085-2		△B		BRASS	GOLD		△23
	1-163085-1		△A		BRASS	ECON.GOLD		△21
△32 OBSOLETE	<del>1-163085-0</del>	△32	△B	1-163086-0	BRASS	ECON.GOLD		△21
	163085-9		△A		BRASS	EL.TIN		△20
	163085-8		△A		BRASS	SEL.GOLD		△22
	163085-2	△1	△B	163086-2	BRASS	SEL.GOLD		△22
	163085-1	△1	△B	163086-1	BRASS	EL.TIN		△20

AMPOMATOR + MINI-APPL. 107-3-FIG.1	△A
107-3-FIG.2	△B
107-3-FIG.4	△C

NOTES	MATERIAL	THICKNESS	AREA
△20	TIN	2,0 μm	ALL OVER
△21	NICKEL GOLD TIN	0,8 μm	ALL OVER CONTACT AREA BARREL
△22	NICKEL GOLD GOLD	0,8 μm	ALL OVER CONTACT AREA ALL OVER
△23	NICKEL GOLD GOLD	1,2 μm	ALL OVER CONTACT AREA ALL OVER
△27	NICKEL SILVER TIN	2,5 μm	ALL OVER CONTACT AREA BARREL
△28	SILVER	0,5 μm	ALL OVER
△29	SILVER	2,5 μm	ALL OVER
△30	NICKEL BRGHT TIN	1,27 μm 1,27 μm	ALL OVER ALL OVER
△31	LUBRICATED		

PARTNUMBER	DIRECTION OF REEL	LOOSE-PIECE	MATERIAL	PLATING	
AC1	REVISED PER ECO-10-000444				
AC	EBD0-0463-04				
AB	EBD0-0335-04				
V	EB00-0341-02				
T1	EH-1189-95				
T	EH-0302-94				
S	ECN H-9526				
LTR.	REVISION RECORD				
DR.:	-	CHK.:	-	APP.:	-
DATE:	-	DATE:	-	DATE:	-

**CUSTOMER DRAWING** FOR REFERENCE ONLY  
WILL NOT BE UPDATED

© COPYRIGHT 19 - BY AMP HOLLAND B.V.  
ALL INTERNATIONAL RIGHTS RESERVED. AMP PRODUCTS MAY BE  
COVERED BY U.S. AND FOREIGN AND/OR PATENTS PENDING.  
THIS DRAWING IS UNPUBLISHED  
RELEASED FOR PUBLICATION - ,19 -

**AMP** | AMP HOLLAND B.V.  
's-Hertogenbosch,  
The Netherlands.

NAME  
TYPE\_III\_PIN\_CONTACT  
SIZE\_16

DWG.No. 163085  
REV.LTR. AC1  
SHEET 1 OF 1  
A3

NOTES :

- △1 U.L.RECONIZED UNDER FILE E28476 VOL.VI SEC.I
- 2 FOR CRIMPDETAILS SEE AMP-SPEC. 114-19.000 .
- 3 MEETS PRODUCTSPECIFICATION 108-10042.
- △4 0,40 MAX. GAP BETWEEN SPRING-NOSE AND CONTACT BODY.
- △5 SPECIAL REEL WITH 200 PCS FOR REEL-FED HAND-  
TOOL
- △32 OBSOLETE PARTS: OBSOLETE CIS STREAMLINING PER  
D.RENAUD/D.SINISI