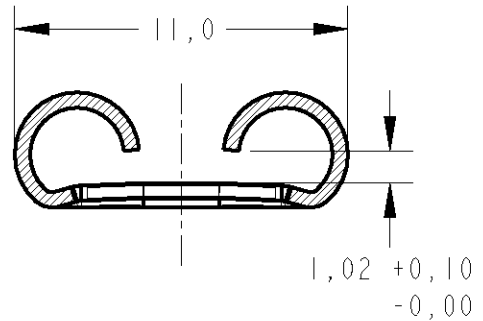
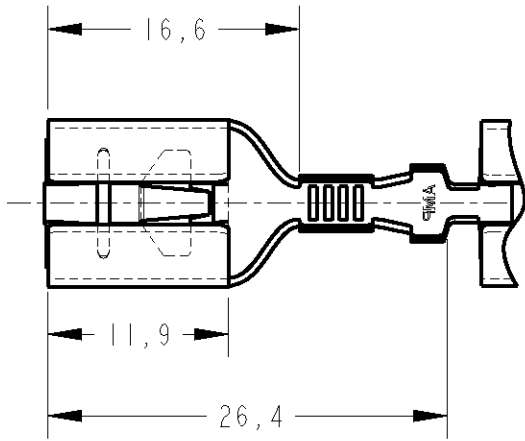
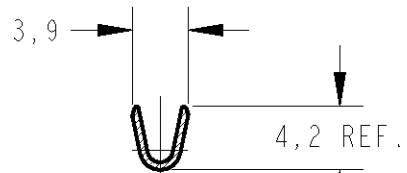
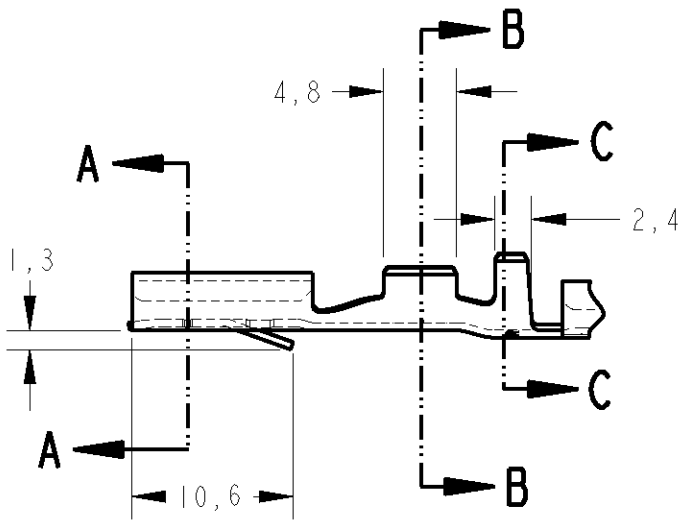


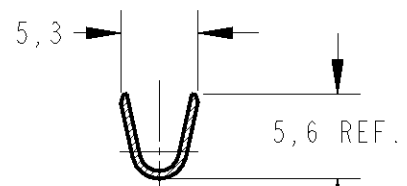
LOC	DIST	REVISIONS					
AP	-	P	LTR	DESCRIPTION	DATE	DWN	APVD
		A		REVISED BY ECO-09-007442	25MAY2009	AP	LWP



SECTION A-A  
SCALE 4:1



SECTION B-B



SECTION C-C

<b>WIRE RANGE</b>	>1,0-2,5 mm <sup>2</sup>
<b>INSUL. RANGE</b>	2,1-3,7 Ømm

ESTANHADO	BRONZE FOSF.	444008-4
- / -		444008-3
ESTANHADO	LATÃO	444008-2
- / -		444008-1
<b>FINISH</b>	<b>MATERIAL</b>	<b>PART NUMBER</b>

2009

RELEASED FOR PUBLICATION

THIS DRAWING IS UNPUBLISHED.

© COPYRIGHT 1991 BY TYCO ELECTRONICS CORPORATION. ALL RIGHTS RESERVED.

DIMENSIONS: mm	DWN	25MAY2009	MATERIAL	FINISH
	A. PERUSSI		-	-
TOLERANCES UNLESS OTHERWISE SPECIFIED:	CHK	25MAY2009	TYCO ELECTRONICS Brasil LTDA. Sao Paulo, Brasil	
	M. RODRIGUES			
0 PLC ±-	APVD	25MAY2009	NAME .375 S. FAST-IN-ON RECEPTACLE	
1 PLC ±0,3	L.W. PRADO			
2 PLC ±-	PRODUCT SPEC	-	SIZE	CAGE CODE
3 PLC ±-	APPLICATION SPEC	-	A4	-
4 PLC ±-	WEIGHT	-	DRAWING NO	RESTRICTED TO
ANGLES ±1°			© = 444008	-
	CUSTOMER DRAWING		SCALE	SHEET
			2:1	1 OF 1
			REV	A