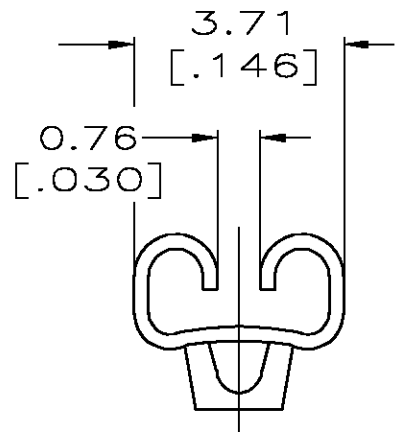
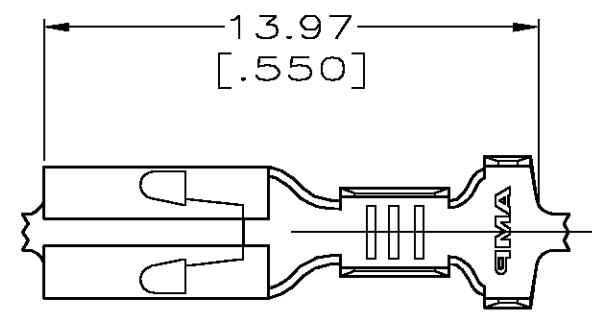


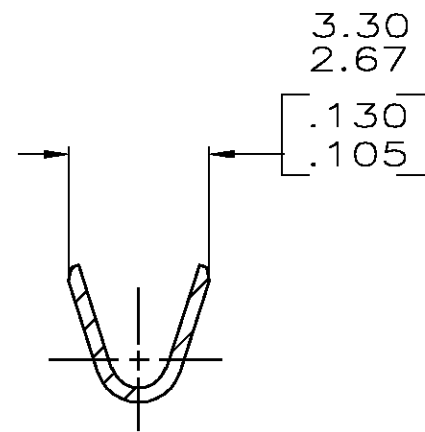
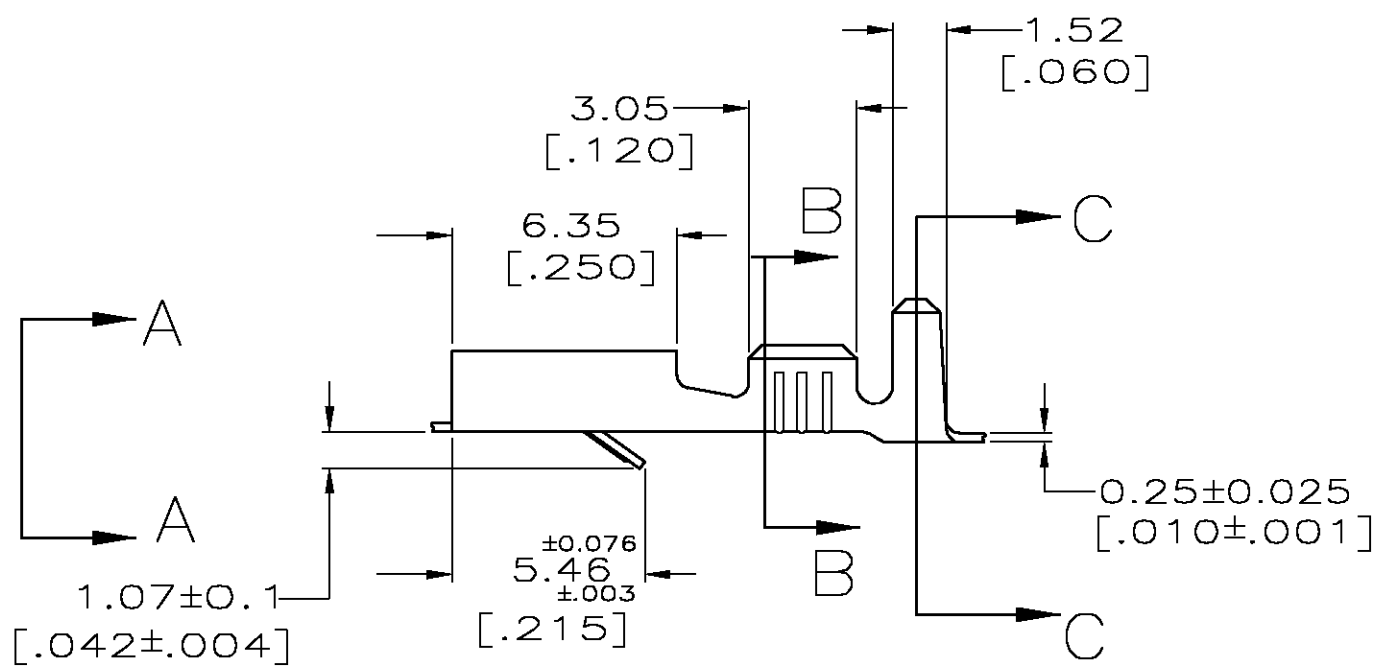
THIS DRAWING IS UNPUBLISHED. RELEASED FOR PUBLICATION  
 © COPYRIGHT BY TYCO ELECTRONICS CORPORATION. ALL RIGHTS RESERVED.

LOC	DIST	REVISIONS				
P	LTR	DESCRIPTION	DATE	DWN	APVD	
AF	50					
	N	REV PER OG3A-0062-03	24JAN03	JR	ND	

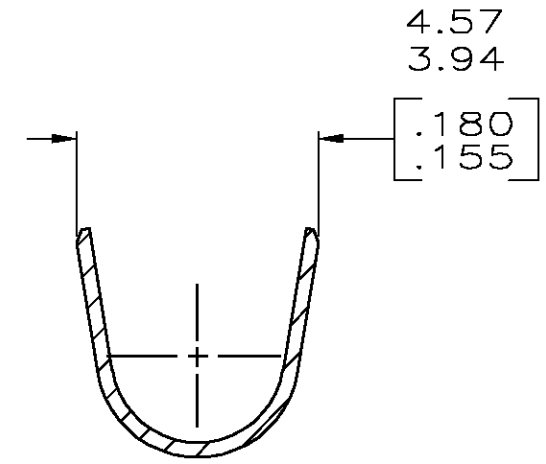


VIEW A-A  
SCALE 8:1

- 1 CONTINUOUS STRIP ON REELS.
- 2 MATING TAB THK TO BE 0.81±0.025 [.032±.001].
- 3 WIRE SIZE IS [#20-#16] AWG.
- 4 INSULATION RANGE IS 2.03-3.05 [.080-.120] DIA.
- △5 0.002032 [.000080] MIN TIN.
- △6 0.003810 [.000150] MIN SILVER
- △8 PRELIMINARY - NOT FOR PRODUCTION



SECTION B-B  
SCALE 8:1



SECTION C-C  
SCALE 8:1

OBSOLETE

H04 PRE-TIN BRASS	62572-6
H04 BRASS - SILVER △6	△62572-5
<del>H04 BRASS - TIN △8</del>	<del>62572-4</del>
T3 PHOS BRONZE - NONE	62572-2
H04 BRASS - NONE	62572-1
MATERIAL - FINISH	PART NO.

THIS DRAWING IS A CONTROLLED DOCUMENT.		DWN	JR RUTH	13AUG99	Tyco Electronics Corporation Harrisburg, PA 17105
DIMENSIONS: MM		CHK	MS FEHER	13AUG99	
		APVD	J GILLESPIE	13AUG99	
TOLERANCES UNLESS OTHERWISE SPECIFIED:		NAME		RECEPTACLE, FASTIN-FASTON, 2.79 [.110] SERIES	
0 PLC ± -		PRODUCT SPEC		-	
1 PLC ± -		APPLICATION SPEC		-	
2 PLC ± 0.38 [.015]		114-2065		SIZE	A3
3 PLC ± -		WEIGHT		CAGE CODE	00779
4 PLC ± -		CUSTOMER DRAWING		DRAWING NO	C-62572
ANGLES ± -		SCALE		SHEET	1 OF 1
FINISH		SEE TABLE		REV	N
MATERIAL		SEE TABLE			