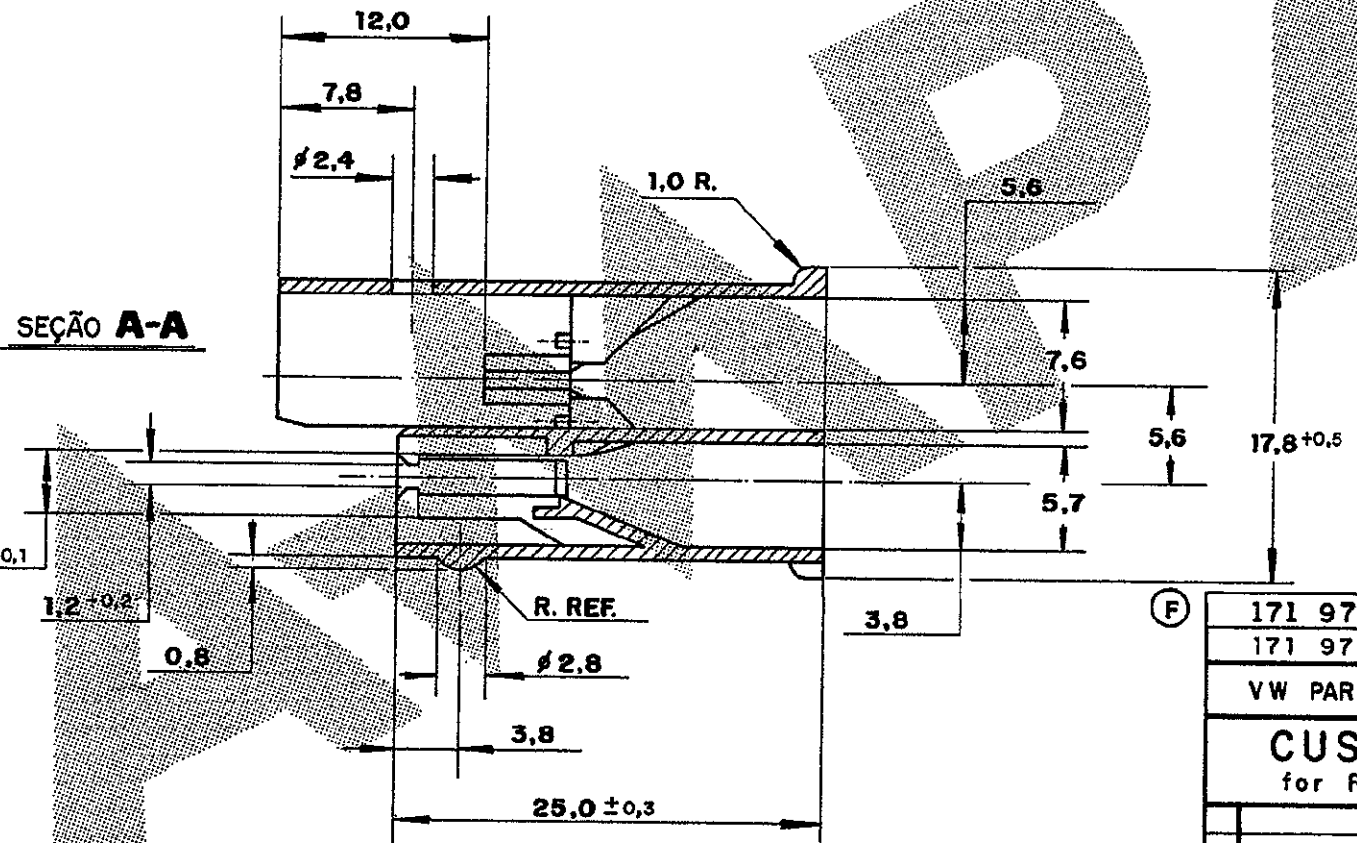
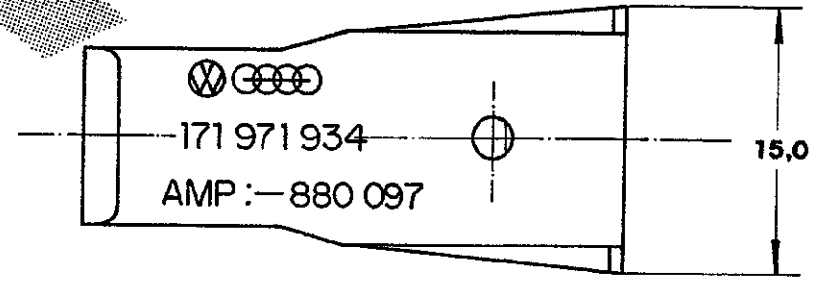
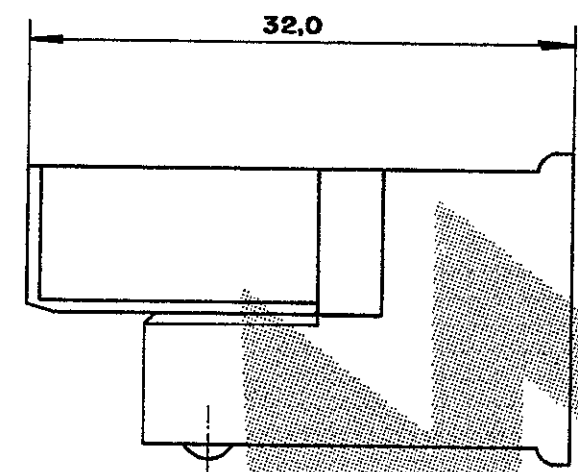
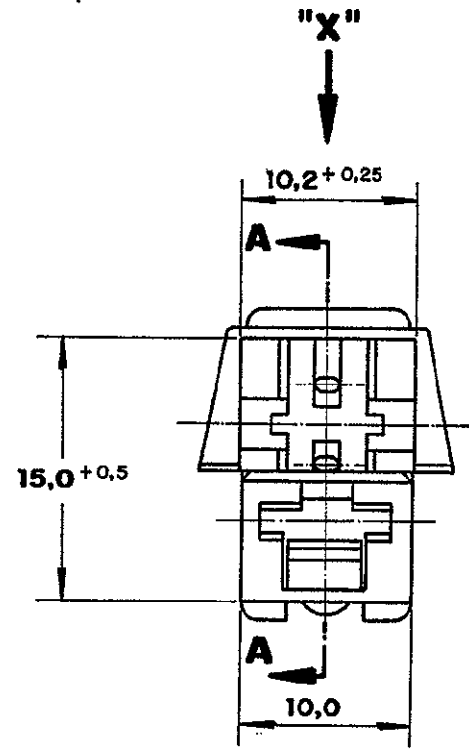


C 880 097

DO NOT SCALE  
DIMENSIONS IN

**METRIC**

3rd ANGLE PROJECTION



171 971 934	BRANCO / WHITE	NYLON 6.6	880 097 - 2
171 971 934	NATURAL	NYLON 6.6	880 097 - 1
VW PART NUMBER	FINISH	MATERIAL	PART NUMBER
<b>CUSTOMER DWG</b> for REFERENCE ONLY		THIS DRAWING IS UNPUBLISHED. RELEASED FOR PUBLICATION 19	
© COPYRIGHT 1983 BY AMP DO BRASIL LTDA S.P. ALL INTERNATIONAL RIGHTS RESERVED. AMP PRODUCTS MAY BE COVERED BY U.S. AND FOREIGN PATENTS AND/OR PATENTS PENDING.		TOLERANCES UNLESS OTHERWISE STATED DEC. ± 0,5 ANGLES ± 1°	
INS. DIA. RANGE		WIRE RANGE	SCALE
AMP do BRASIL LTDA. São Paulo, Brasil		DESCRIPTION <b>2 WAY .250 S. COMBINED FASTON / FASTIN-ON HSG.</b>	
F REVISADO BY	NCL PLF 19.04.80	DE	A3 DWG NO <b>C 880 097</b> SHEET 10F1
E ELIMINADO -2 PRETO	14.02.85	CHK.	
D REVISADO	R.P. T.V. 30.5.84	DE.	
C REVISADO	G.M. T.V. 24.04.84	APP.	
B REDES. E MODIF.	G.M. T.V. 11.05.83		
A ERA P82-29186	G.M. T.V. 25.11.82		
ISS REVISION RECORD	DR CHK DATE	APP.	