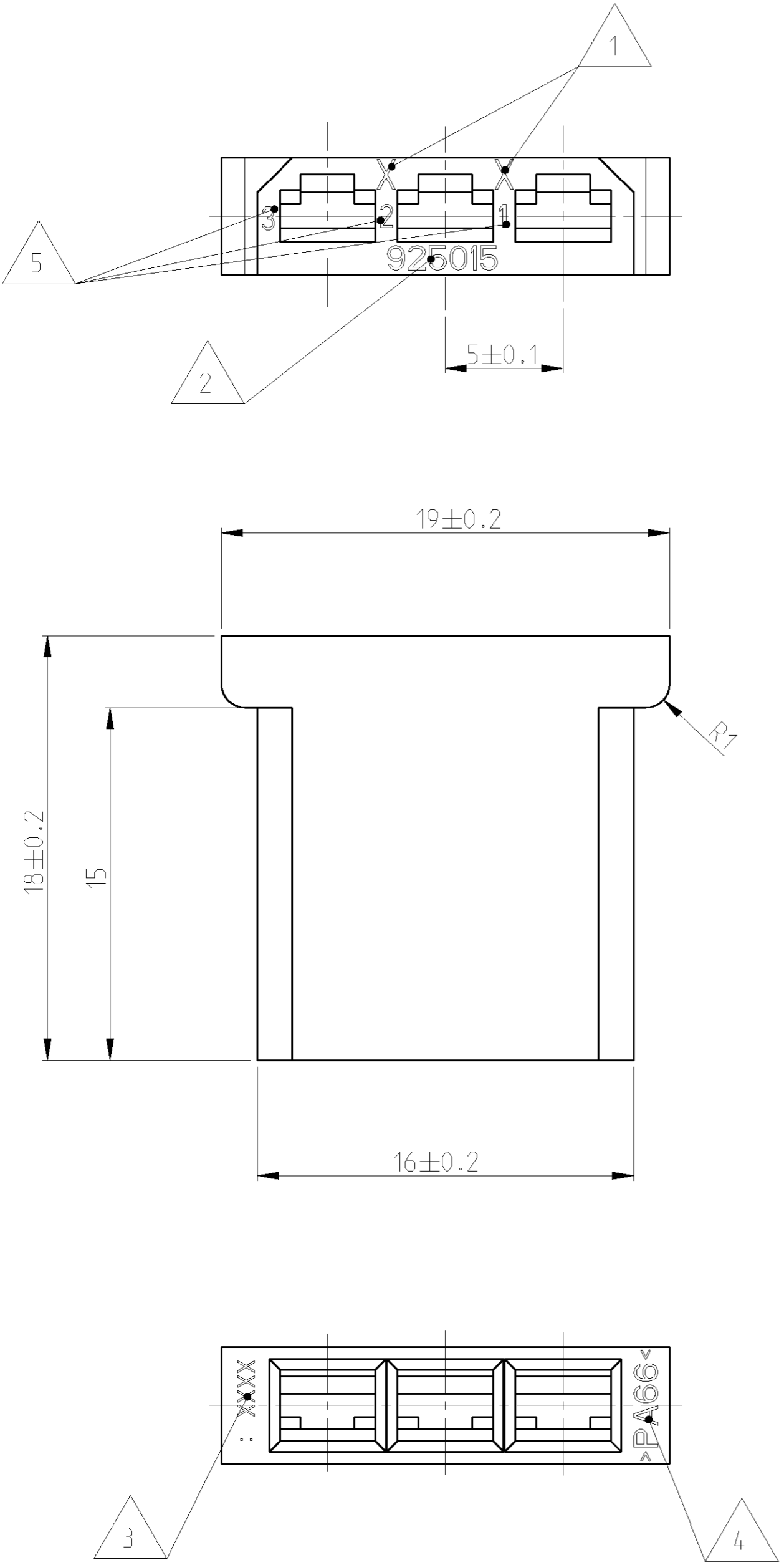
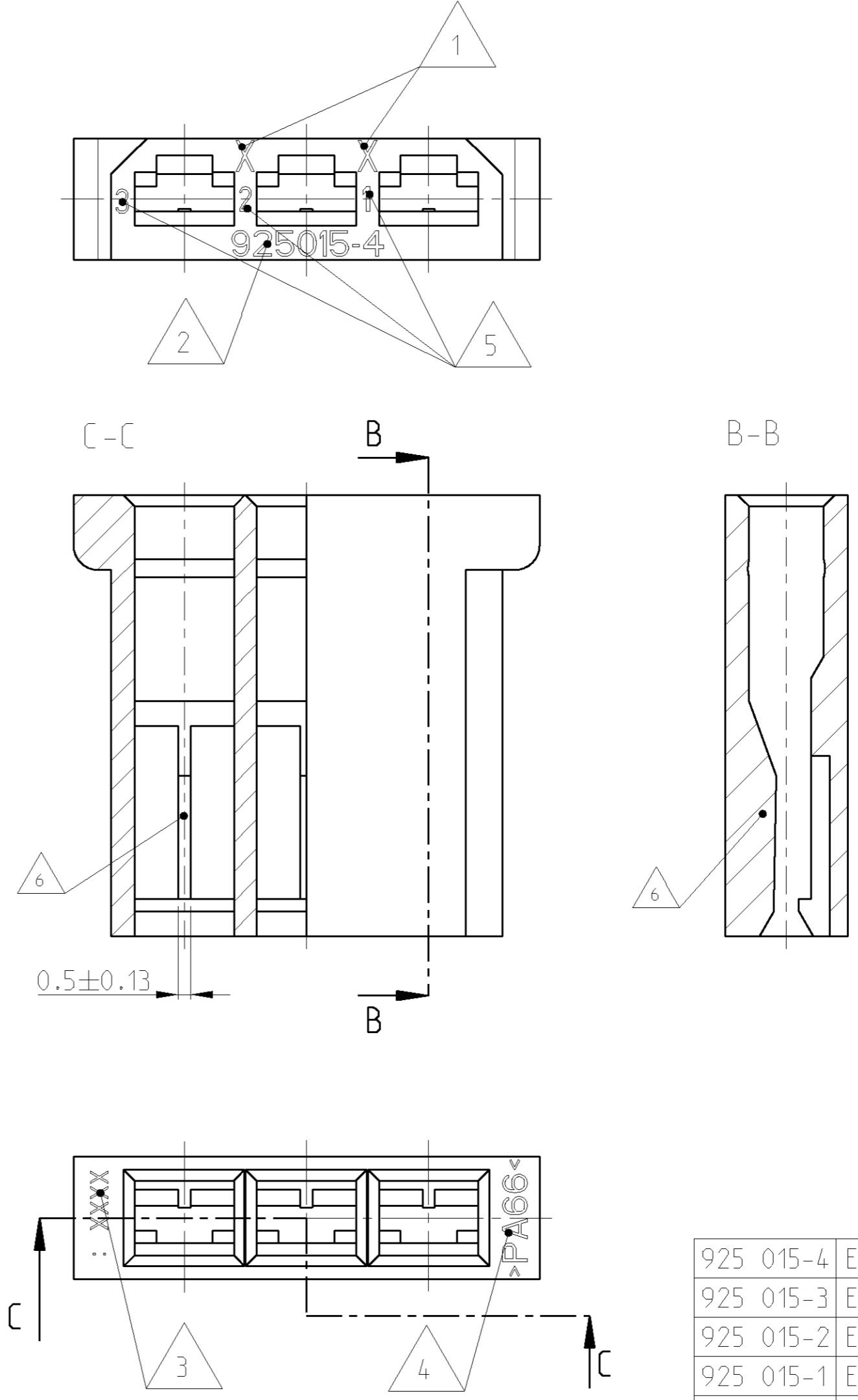


THIS DRAWING IS UNPUBLISHED. RELEASED FOR PUBLICATION 2006
 © COPYRIGHT 2006 BY TYCO ELECTRONICS CORPORATION. ALL RIGHTS RESERVED.



LOC	DIST	REVISIONS					
		P	LTR	DESCRIPTION	DATE	DWN	APVD
A1	-	E		16+/-0.2 war 16+/-0.1	23OCT1998	-	M.P.
		E2		Zeichnungsrevision angepasst	29SEP2004	-	Stre.
		E3		Drawing update	16NOV2004	Haas	Stre.
		E4		PN 925015-4 added	28MAR2006	Haas	Stre.

925015-4 AS SHOWN
 925015-4 wie dargestellt



- NOTES
Bemerkungen
- 1 MOULD CAVITY NUMBER
Werkzeugnestzahl
 - 2 PART NUMBER
Teilenummer
 - 3 ARTWORK LOGO
Firmenzeichen
 - 4 MATERIAL MARKING
Werkstoffkennzeichnung
 - 5 CHAMBER NUMBER
Kammernummer
 - 6 CODING RIB
Kodiersteg
 - 7 WEIGHT: 925015-0/-1/-2/-3 - 0,94g
Gewicht: 925015-4 - 0,98g

AMP-ORDER-NO.	REV	DESCRIPTION	MATERIAL	COLOUR
925 015-4	E	3POS. HOUSING	PA6.6	NATURAL
925 015-3	E	3POS. HOUSING	PA6.6 (ZYTEL 101)	NATURAL
925 015-2	E	3POS. HOUSING	PA6.6	RED
925 015-1	E	3POS. HOUSING	PA6.6	BLACK
925 015-0	E	3POS. HOUSING	PA6.6	NATURAL

THIS DRAWING IS A CONTROLLED DOCUMENT FOR TYCO ELECTRONICS CORPORATION. IT IS SUBJECT TO CHANGE AND THE CONTROLLING ENGINEERING ORGANIZATION SHOULD BE CONTACTED FOR THE LATEST REVISION.

DIMENSIONS:	TOLERANCES UNLESS OTHERWISE SPECIFIED:	DWN	21MAR2005
mm	0 PLC ± 0.4 mm	CHK	22MAR2005
	1 PLC \pm	APVD	31MAR2005
	2 PLC \pm	PRODUCT SPEC	
	3 PLC \pm	APPLICATION SPEC	
	4 PLC \pm	WEIGHT	SEE NOTE
MATERIAL	FINISH	CUSTOMER DRAWING	

tyco Electronics AMP GmbH
64625 Bensheim (Germany)

NAME: 3POS. FAST-IN-FASTON REC. HSG. SER.110
3pol. F.F. Steck-Ülsengehäuse SERIE 2.8

SIZE	CAGE CODE	DRAWING NO	RESTRICTED TO
A2	00779	925015	-

SCALE: 5:1 SHEET 1 OF 1 REV: E4