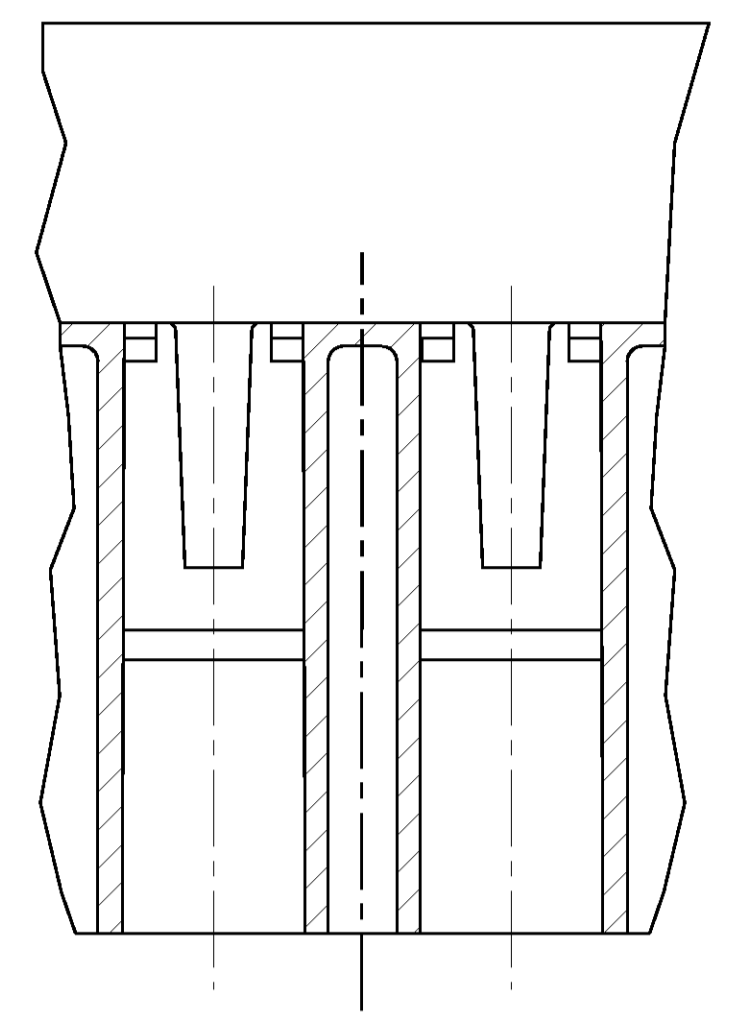
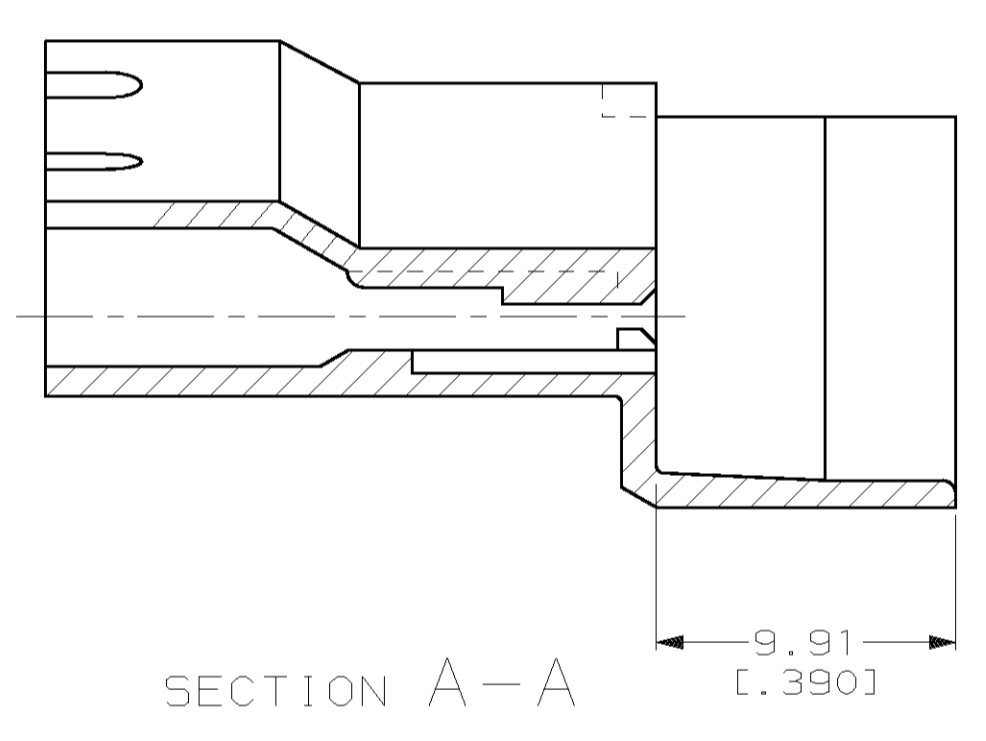
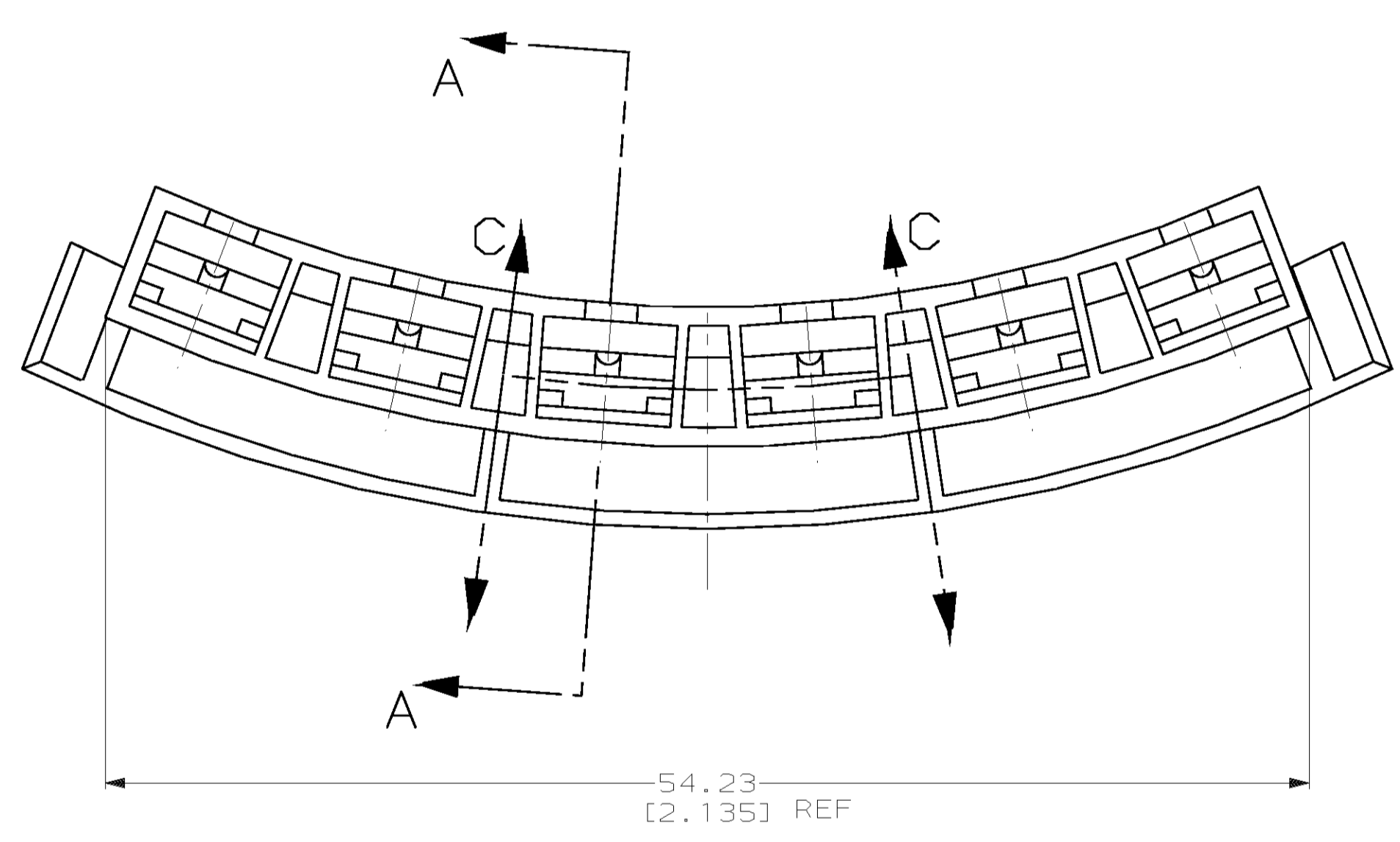


LOC		DIST		REVISIONS			
TR	LYR	DATE	OWN	APPRO			
G		REL PER 063A-0546-02	09SEP02	JR	ND		

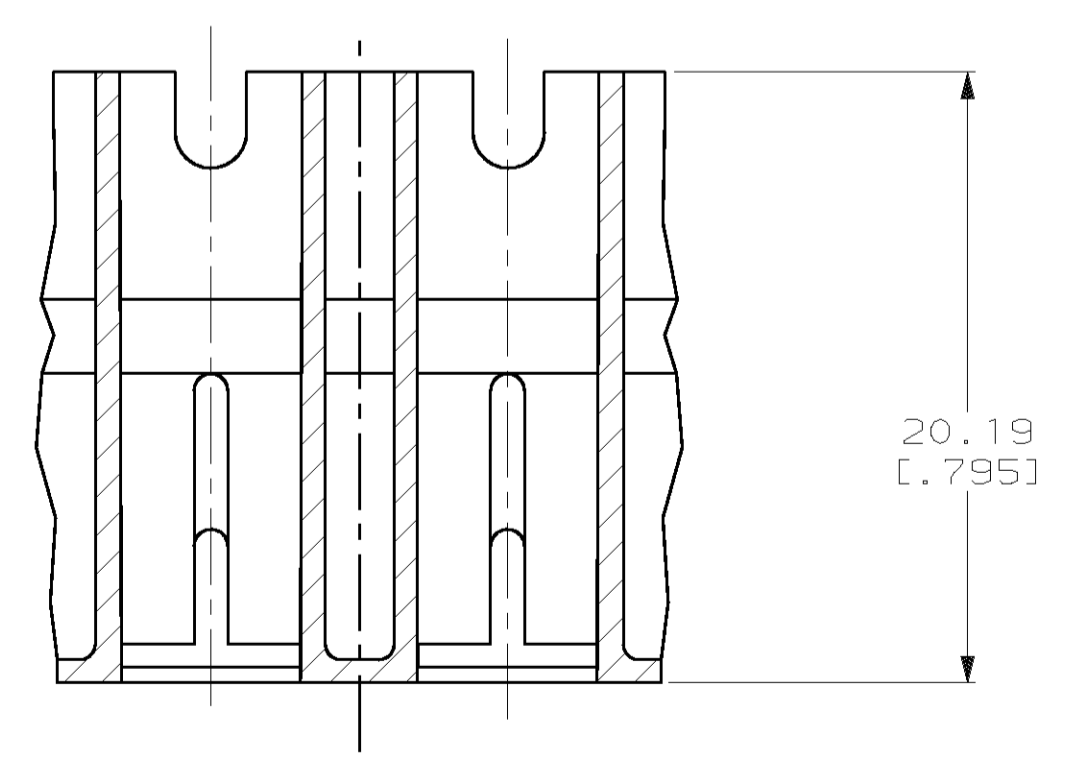
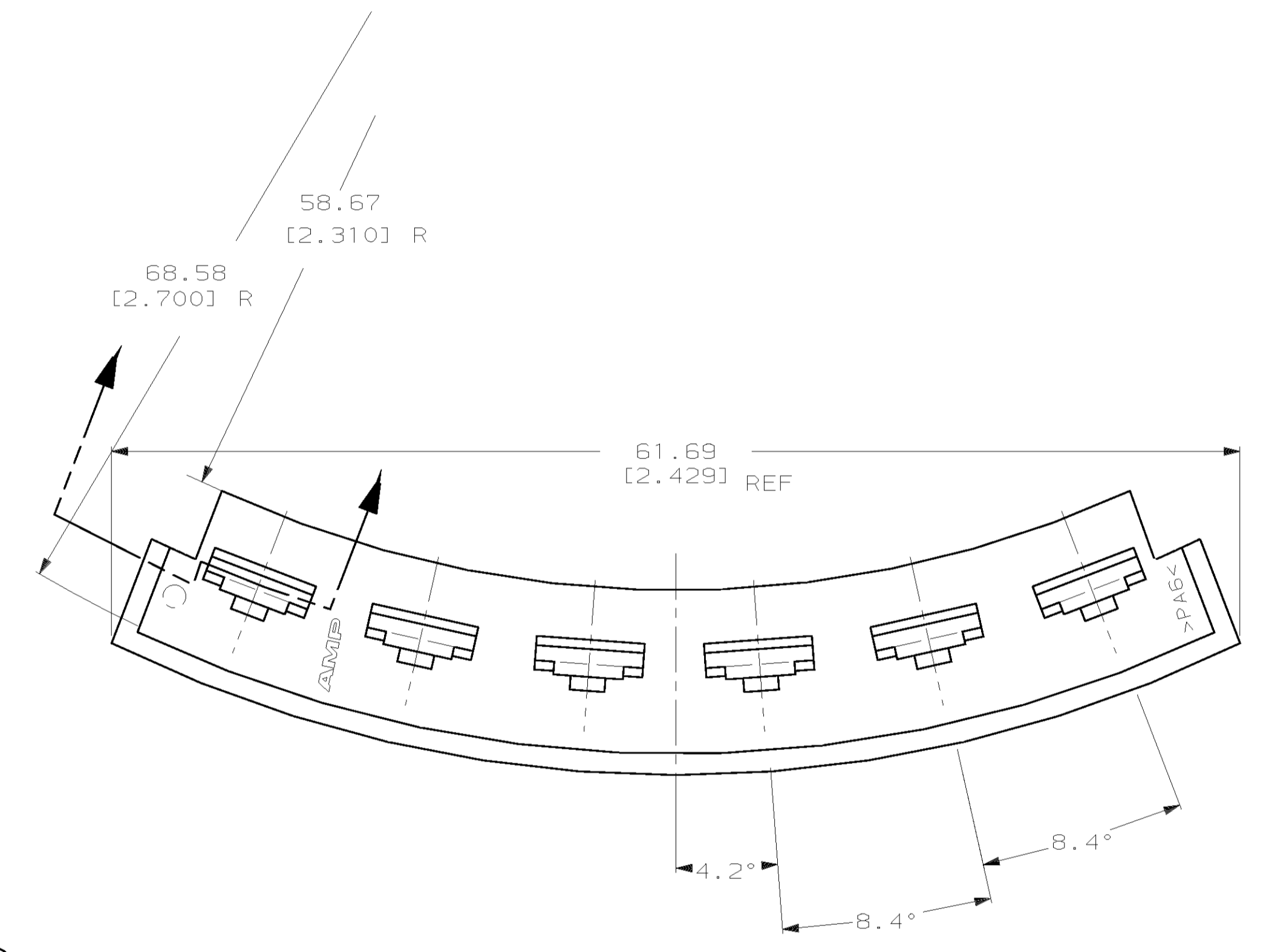
1 USE WITH TERMINAL PART NUMBER: 1217608-1.



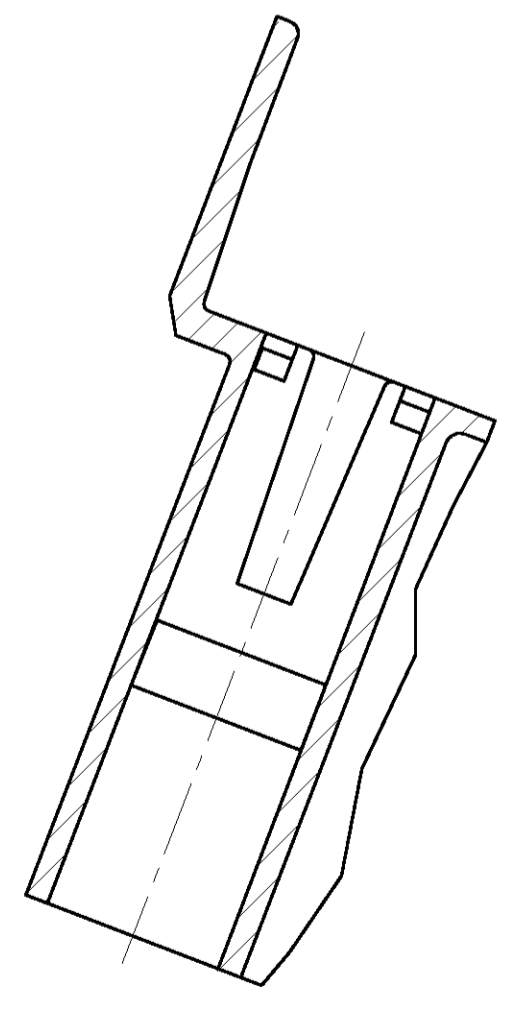
SECTION B-B
WITH ENTIRE REAR VIEW



SECTION A-A



SECTION C-C



521381-1
PART NUMBER

THIS DRAWING IS A CONTROLLED DOCUMENT.		DWN MICHAEL S. FECHER 13FEB2001	AMP Incorporated Harrisburg, PA 17105-3608
DIMENSIONS: mm [INCHES]		CHK KURT A. RANDOLPH 13FEB2001	
TOLERANCES UNLESS OTHERWISE SPECIFIED:		NAME KURT A. RANDOLPH	HOUSING, RECEPTACLE, FASTIN-FASTON™ 6 POSITION, 4.75 [0.187] SERIES
0 PLC ±-		PRODUCT SPEC	
1 PLC ±-		APPLICATION SPEC	SIZE A1
2 PLC ±0.25 [.010]		WEIGHT	CAGE CODE 00779
3 PLC ±-		CUSTOMER DRAWING	DRAWING NO 521381
4 PLC ±-		SCALE 4:1	SHEET 1 OF 1
ANGLES ±1°		RESTRICTED TO	REV G
MATERIAL AKULON K225-KS	FINISH BLACK		