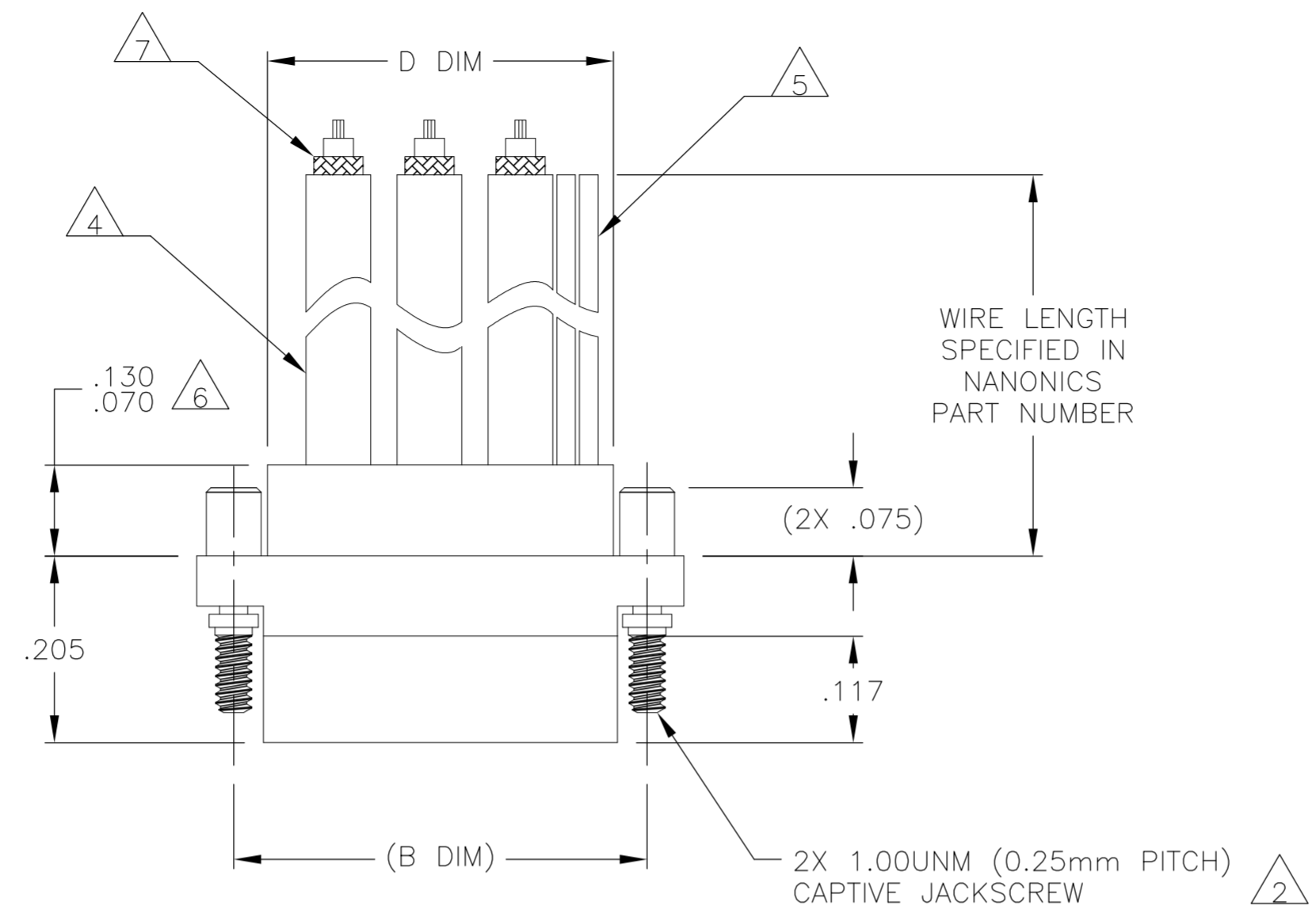
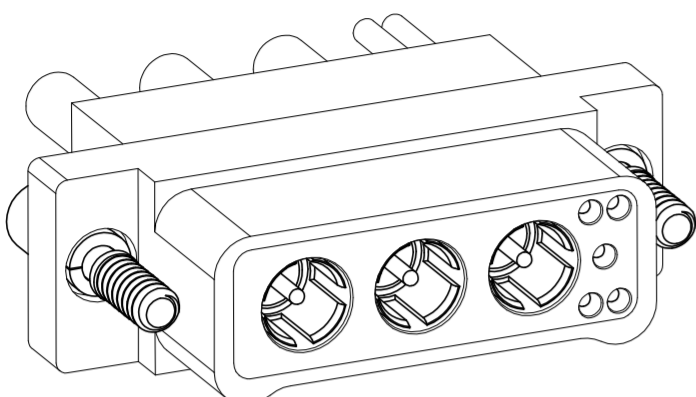
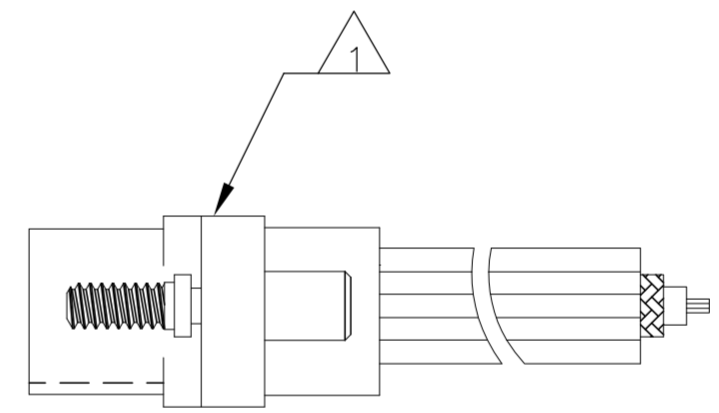
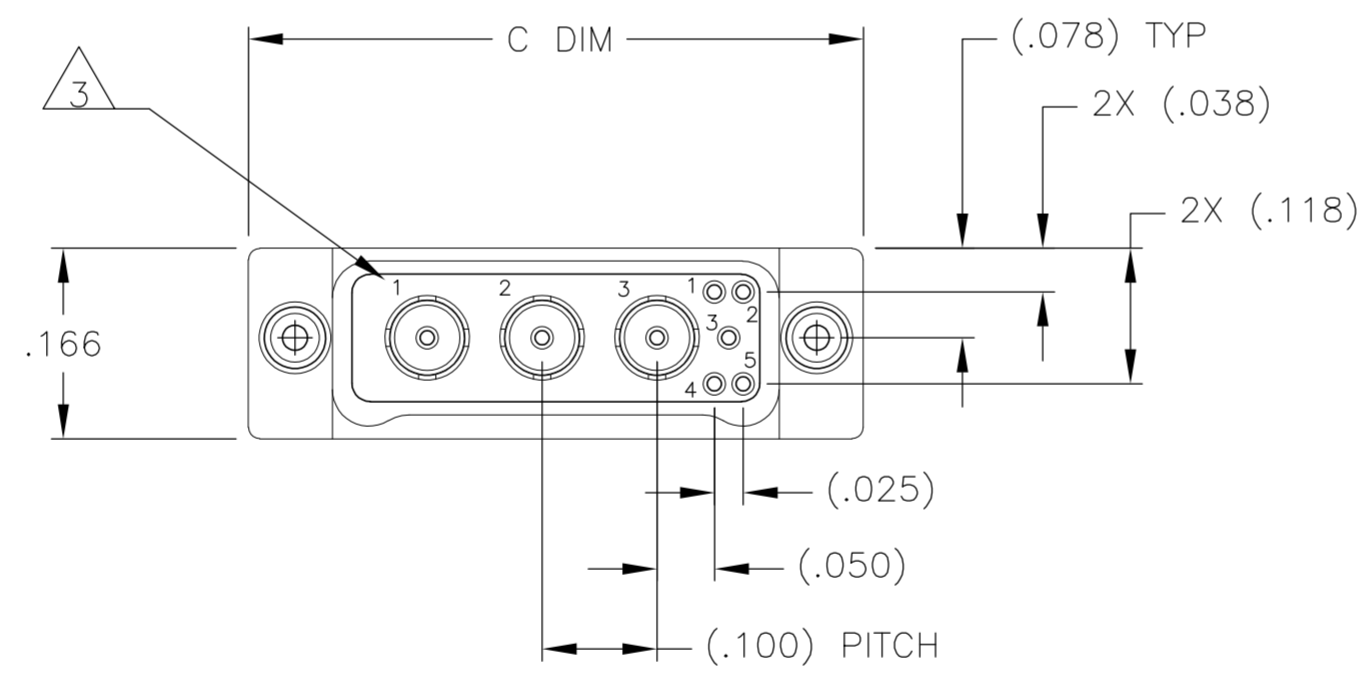


THIS DRAWING IS UNPUBLISHED. RELEASED FOR PUBLICATION
 © COPYRIGHT BY TYCO ELECTRONICS CORPORATION. ALL INTERNATIONAL RIGHTS RESERVED.

LOC		DIST		REVISIONS			
P	LTR	DESCRIPTION	DATE	DWN	APVD		
	H	UPDATE PER ECO-08-028630	11 NOV 08	BJR	MKS		



No. COAX POSITIONS	(B DIM)	C DIM	D DIM
1	(.254)	.335	.18
2	(.354)	.435	.28
3	(.454)	.535	.38
4	(.554)	.635	.48
5	(.654)	.735	.58
6	(.754)	.835	.68
7	(.854)	.935	.78
8	(.954)	1.035	.88
9	(1.054)	1.135	.98



- 1 SHELL MATERIAL: 6061-T6 ALUMINUM, ELECTROLESS NICKEL PLATED PER SAE-AMS-C-26074 OR SAE-AMS-2404E
INSULATOR MATERIAL: LIQUID CRYSTAL POLYMER (LCP) PER MIL-M-24519 OR PER ASTM D5138
- 2 STANDARD 1.00UNM CAPTIVE JACKSCREWS ARE SHOWN FOR REFERENCE ONLY AND MUST BE SPECIFIED IN THE NANONICS PART NUMBER WHEN REQUIRED. JACKSCREW MATERIAL IS 303 STAINLESS STEEL, PASSIVATED PER SAE-AMS-2700, AND DRY LUBED PER DOD-L-85645. RETAINING RING IS 17-4 STAINLESS STEEL, PASSIVATED PER SAE-AMS-2700. JACKSCREWS HAVE A .9mm HEX SOCKET HEAD. 1.20UNM JACKSCREWS ALSO AVAILABLE.
- 3 CONTACT NUMBERS ARE FOR REFERENCE ONLY AND ARE NOT MARKED ON THE PART.
- 4 THIS CONFIGURATION MAY BE TERMINATED WITH RG-178 50 OHM COAXIAL CABLE, OR OTHER 50 OHM COAXIAL CABLES WITH 30 AWG OR SMALLER CENTER CONDUCTORS. CABLE TYPE AND LENGTH SHALL BE SPECIFIED IN THE NANONICS PART NUMBER.
- 5 THESE POSITIONS SHALL BE TERMINATED WITH 30 AWG, 7 STRAND, TEFLON INSULATED WIRE.
- 6 BACKPOTTING STANDARD FOR WIRED COAX ASSEMBLIES.
- 7 STRIPPED COAXES ARE SHOWN FOR VISUAL PURPOSES ONLY. WIRE TERMINATIONS ARE UNSTRIPPED.
- 8 THIS DRAWING PREVIOUSLY IDENTIFIED AS NANONICS 303-0039.

THIS DRAWING IS A CONTROLLED DOCUMENT.		DWN D. RYAN 26 MAY 99	Tyco Electronics Corporation Harrisburg, PA 17105-3608	
DIMENSIONS: INCHES		CHK M. STORRY 2 MAY 99	NAME PLUG ASSEMBLY, 1-9 COAX, 50 OHM, 5 SIGNALS, METAL	
TOLERANCES UNLESS OTHERWISE SPECIFIED:		APVD -	PRODUCT SPEC -	RESTRICTED TO -
0 PLC ± -		APPLICATION SPEC -	SIZE A2	CAGE CODE 0PJN9
1 PLC ± -		WEIGHT -	DRAWING NO C=1589068	SCALE 6:1
2 PLC ± .010		CUSTOMER DRAWING		
3 PLC ± .005		SHEET 1 of 1		
4 PLC ± -		REV H		
ANGLES ± 1°				
FINISH				
MATERIAL SEE NOTES				
SEE NOTES				