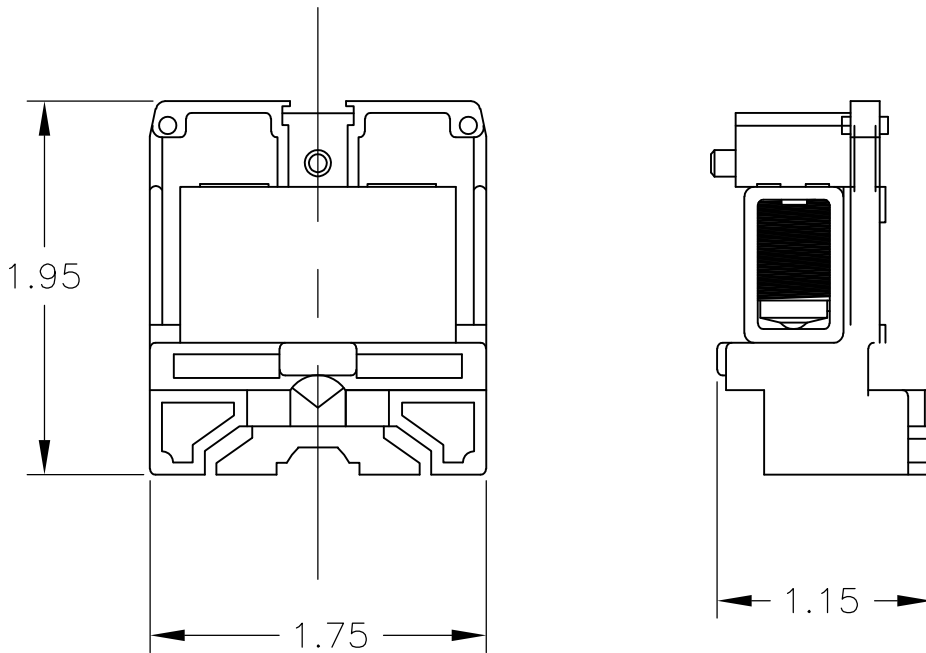


LOC	DIST	REVISIONS					
—	—	P	LTR	DESCRIPTION	DATE	DWN	APVD
			A	REDRAWN PER ECO-08-023052	30SEP08	HMR	SM

1 MATERIAL: NYLON



RELEASED FOR PUBLICATION

ALL INTERNATIONAL RIGHTS RESERVED.

BY TYCO ELECTRONICS CORPORATION.

THIS DRAWING IS UNPUBLISHED.

© COPYRIGHT

824-BU	1437395-3
814	1437395-2
CATALOG P/N	PART NUMBER

DIMENSIONS: INCHES	DWN	30SEP08	MATERIAL	1	FINISH	-
	CHK	30SEP08	Tyco Electronics Corporation Harrisburg, PA 17105-3608			
TOLERANCES UNLESS OTHERWISE SPECIFIED:	APVD	30SEP08	NAME			
	PRODUCT SPEC		ASSEMBLY, TERMINAL BLOCK, NEMA DOVETAIL BASE, HEAVY DUTY, TUBULAR SCREW			
0 PLC ± -	APPLICATION SPEC		SIZE	CAGE CODE	DRAWING NO	RESTRICTED TO
1 PLC ± -			A4	00779	C-1437395-2	-
2 PLC ± -	WEIGHT	-	CUSTOMER DRAWING			
3 PLC ± .010			SCALE	1:1	SHEET	1 OF 1
4 PLC ± -					REV	A
ANGLES ± -						