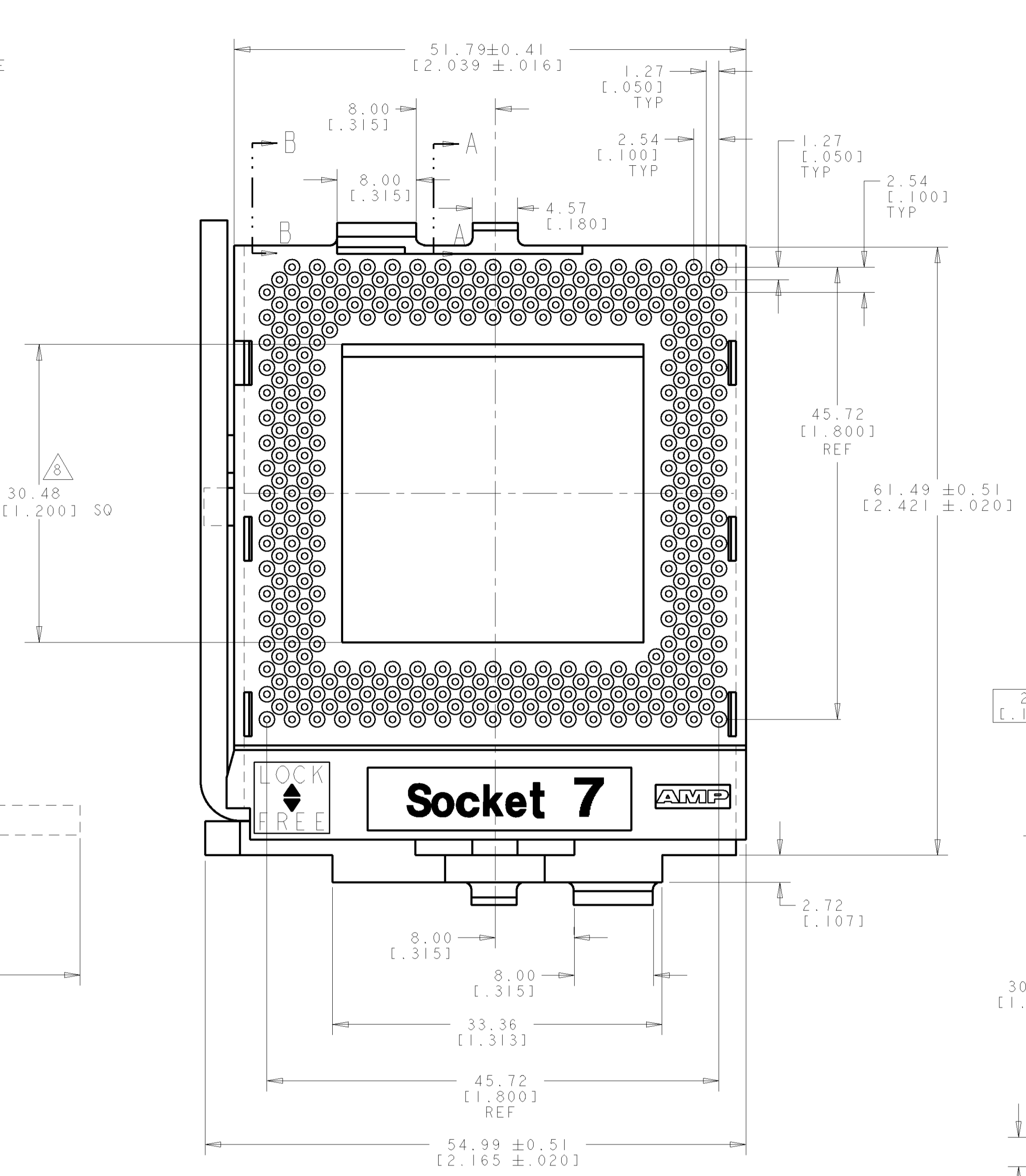
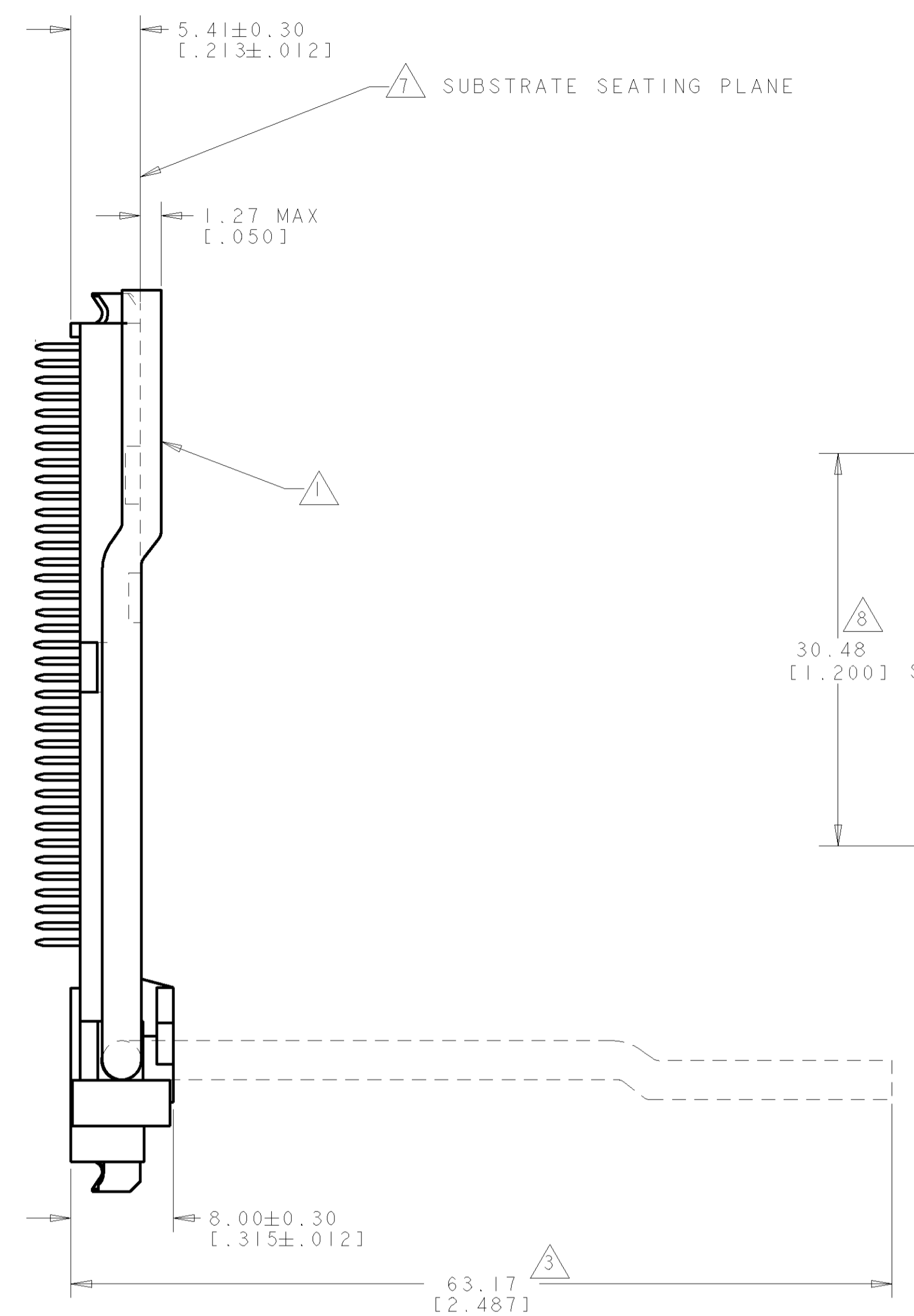
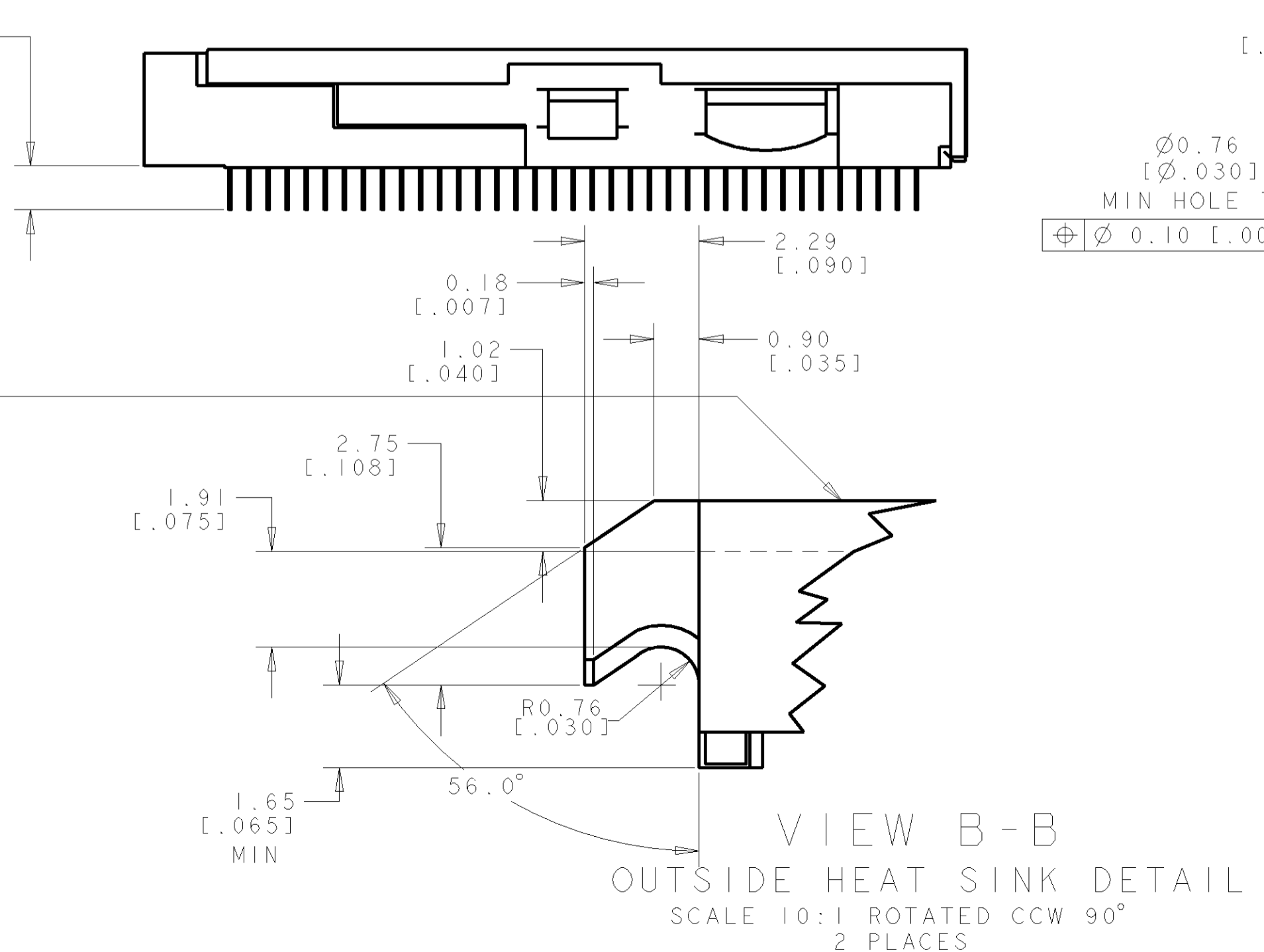
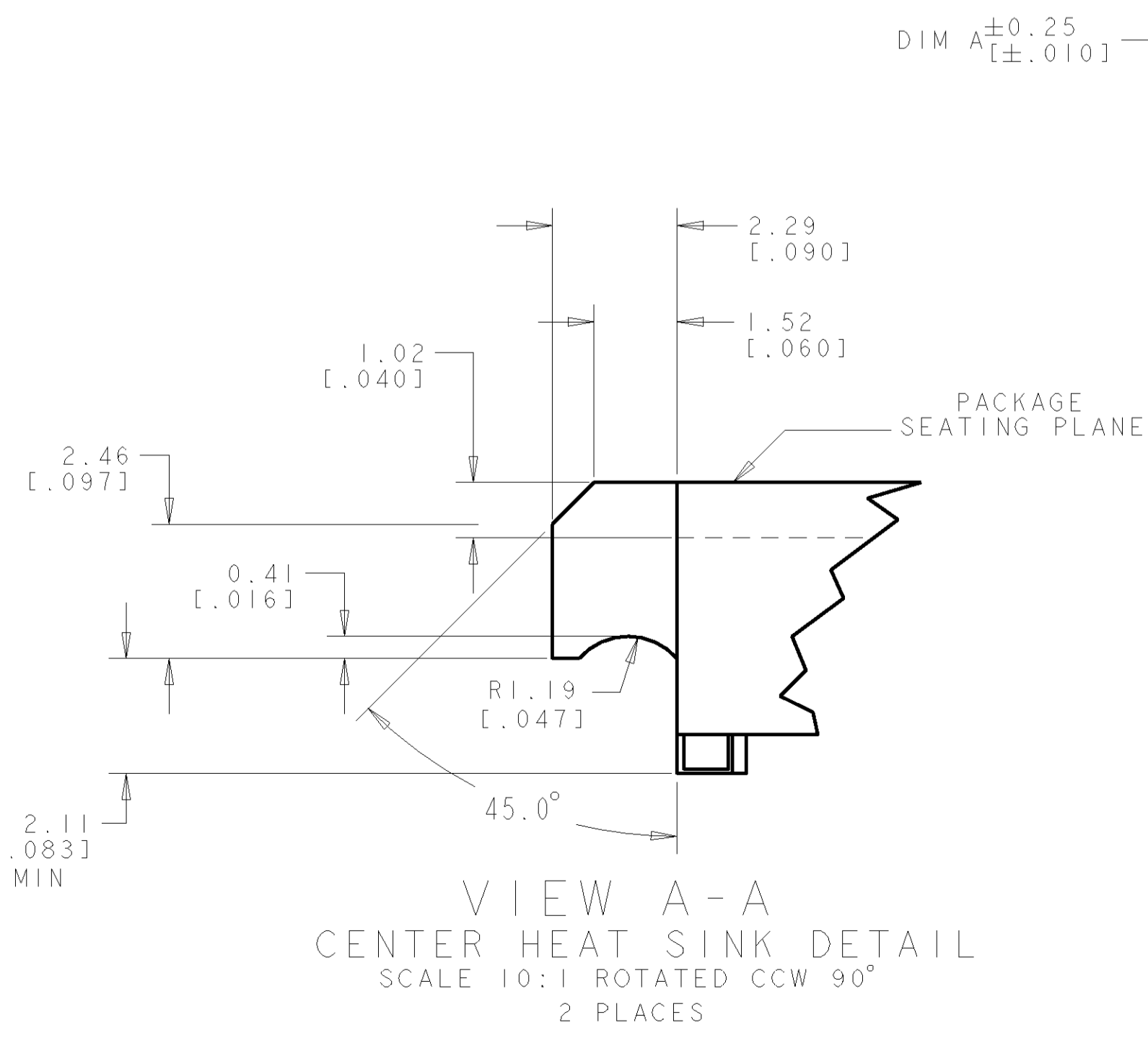
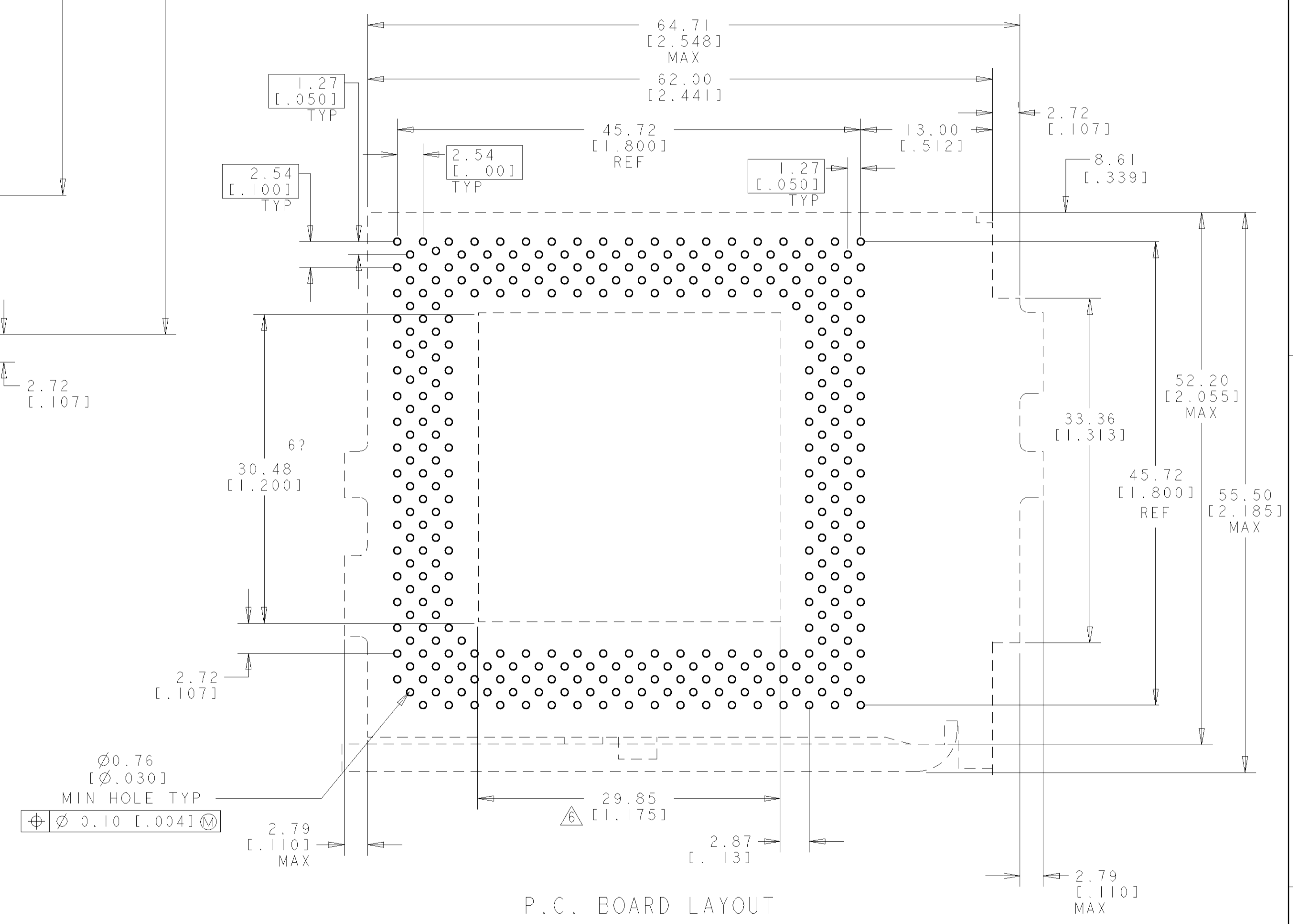


LOC	DIST	REV	DATE	BY	APPD
0Y	-	0	15DEC04	LWY	VT



- 1 HANDLE IS SHOWN IN THE 'ON' POSITION
- 2 SOCKET WILL ACCEPT ANY P.G.A. PACKAGE WITH A PIN  $\varnothing 0.46 \pm 0.05$  [ $\varnothing 0.018 \pm 0.002$ ] AND A LENGTH OF 2.54-3.30 [0.100-0.130] LOCATED ON TRUE POSITION OF 0.20 [0.008] M
- 3 MAX DIMENSION INCLUDING HANDLE
- 4 MATERIAL: HOUSING AND COVER ARE THERMOPLASTIC. COLOR-NATURAL. CONTACTS ARE COPPER ALLOY. ACTUATOR IS STAINLESS STEEL.
- 5 FINISH; CONTACT AREA-0.00076 [0.00030] MIN. THICK GOLD OVER 0.00127 [0.00050] MIN. THICK NICKEL PLATE SOLDER TAIL-0.00381 [0.00150] MIN. THICK TIN OVER 0.00127 [0.00050] MIN. THICK NICKEL PLATE. CONTACT AREA SHALL BE FREE OF LUBRICANT.
- 6 DIMENSIONS INDICATE MIN. OPEN CENTER THROUGH SOCKET.
- 7 SEATING PLANE OF PGA PACKAGE IN SOCKET IS ON CERAMIC SURFACE OF PACKAGE.
- 8 DIMENSION INDICATES MIN. HOLE IN COVER OF SOCKET.



TRAY PACKAGED NUMBER OF SOCKETS PER SHIPPING BOX	DIM A	POSITION	PART NUMBER
90	2.79 [0.110]	321	5916657-3
90	2.36 [0.093]	321	5916657-2
90	2.03 [0.080]	321	5916657-1

THIS DRAWING IS A CONTROLLED DOCUMENT FOR AMP INCORPORATED. ALL CHANGES MUST BE APPROVED BY THE CONTROLLING ENGINEER. ORGANIZATION SHOULD BE CONTACTED FOR THE LATEST REVISION.		DWG NO: WYLEE 15DEC2004 CHK: VINCENT TAN APPD: SE LEONG PRODUCT SPEC: - APPLICATION SPEC: -	tyco Electronics Tyco Electronics Singapore Pte. Ltd.
DIMENSIONS: mm [INCHES] 0 PLC ± 1 PLC ± 3 PLC ± 4 PLC ± ANGLES ±	TOLERANCES UNLESS OTHERWISE SPECIFIED: ±0.30 [0.012]	NAME: SOCKET ASSY, SINGLE LEVER ZIF, PGA, 19 X 19 GRID, LOW PROFILE, RIGHT HAND SIZE: A1 CASE CODE: 00779 DRAWING NO: C=5916657	SCALE: 3:1 SHEET: 1 of 1 REV: 0