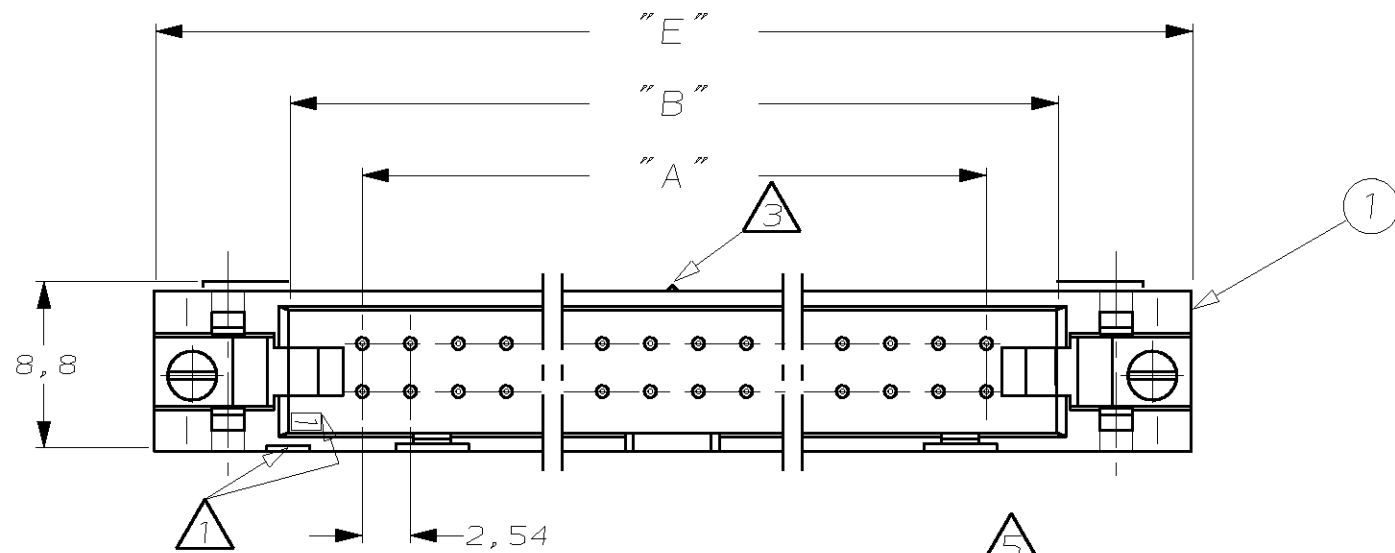


DO NOT SCALE
DIMENSIONS IN mm

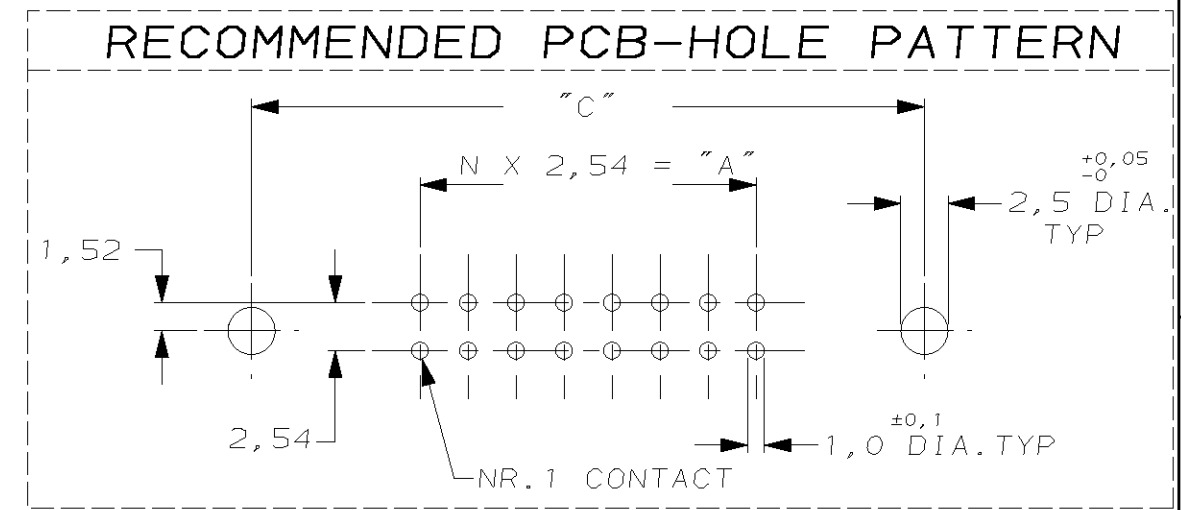
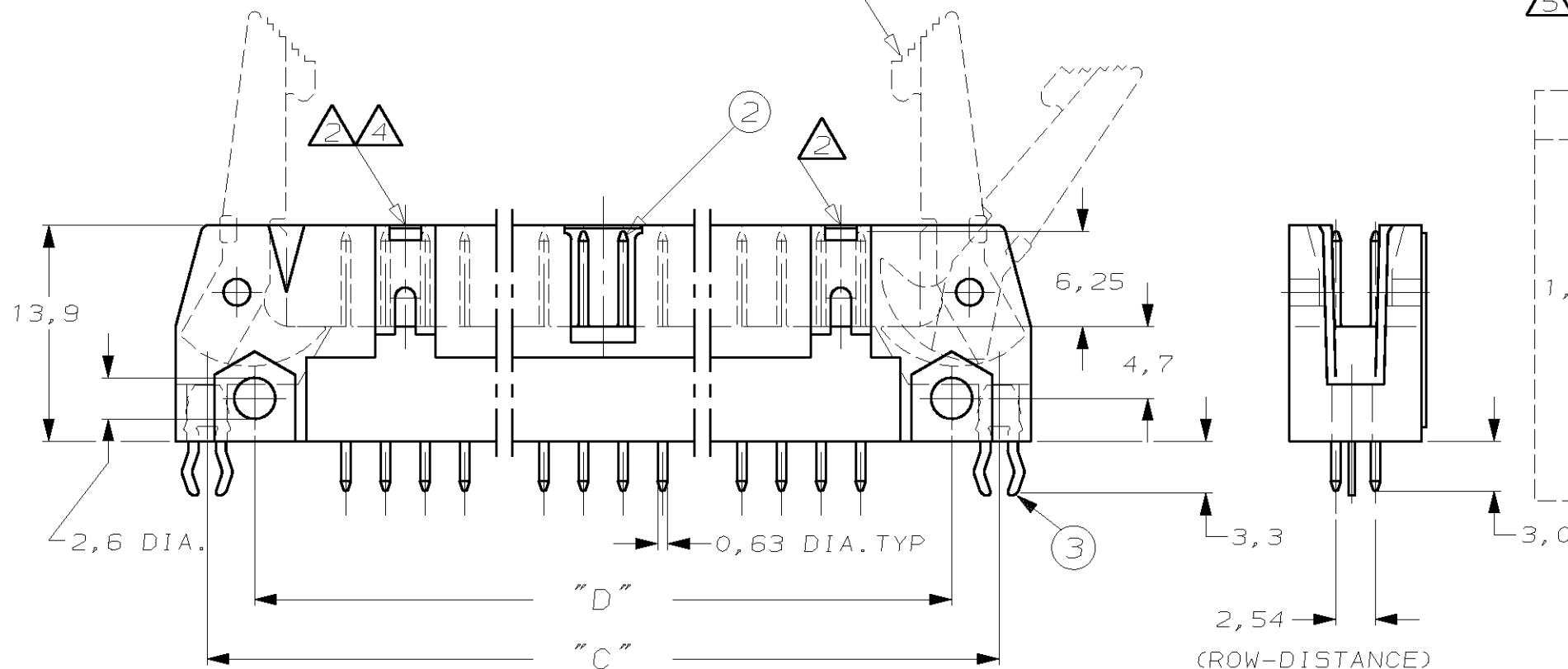
METRIC

THIRD ANGLE
PROJECTION



NOTES:

- ① INDICATION OF FIRST POSITION.
- ② SNAP-IN POLARIZERS PN. 927636-2 OR 927637-2 CAN BE APPLIED HERE.
- ③ THERE IS NO CENTER STAND-OFF IN 10-26 POS. HEADERS.
- ④ THERE IS NO WINDOW FOR SNAP-IN POLARIZERS AT THIS END IN 10 AND 14 POS. HEADERS.
- ⑤ SNAP-IN "LATCH / EJECTOR" PN.927176-2 OR 927215-2 CAN BE APPLIED.



③ BOARD LOCK FOR AMP-LATCH PIN HEADER	BRONZE	5-10µm TIN OVER
② PIN-CONTACT	BRASS	MATING-END: 0,8µm AMP DURAGOLD (Au OVER Pd-ALLOY) OVER 1,27µm Ni BOARD SIDE: 2,0µm TIN OVER 1,27µm NICKEL
① HOUSING	GLASSFILLED POLYESTER	GRAY

DIM. "E"	DIM. "D"	DIM. "C"	DIM. "B"	DIM. "A"	NR. OF POSITIONS	PARTNUMBER
100,6	90,4	96,5	86,4	78,7	64	6-216468-4
95,5	85,3	91,4	81,3	73,7	60	6-216468-0
82,8	72,6	78,7	68,6	61,0	50	5-216468-0
70,1	59,9	66,0	55,9	48,3	40	4-216468-0
62,5	52,3	58,4	48,3	40,6	34	3-216468-4
52,3	42,2	48,3	38,1	30,5	26	2-216468-6
44,7	34,5	40,6	30,5	22,9	20	2-216468-0
39,6	29,5	35,6	25,4	17,8	16	1-216468-6
37,1	26,9	33,0	22,9	15,2	14	1-216468-4
32,0	21,8	27,9	17,8	10,2	10	1-216468-0

COMPONENT NAME	MATERIAL	PLATING / COLOUR
③ BOARD LOCK FOR AMP-LATCH PIN HEADER	BRONZE	5-10µm TIN OVER
② PIN-CONTACT	BRASS	MATING-END: 0,8µm AMP DURAGOLD (Au OVER Pd-ALLOY) OVER 1,27µm Ni BOARD SIDE: 2,0µm TIN OVER 1,27µm NICKEL
① HOUSING	GLASSFILLED POLYESTER	GRAY

CUSTOMER DRAWING FOR REFERENCE ONLY WILL NOT BE UPDATED

© COPYRIGHT 19- BY AMP HOLLAND B.V.
ALL INTERNATIONAL RIGHTS RESERVED. AMP PRODUCTS MAY BE COVERED BY U.S. AND FOREIGN AND/OR PATENTS PENDING.
THIS DRAWING IS UNPUBLISHED
RELEASED FOR PUBLICATION - ,19 -

AMP | AMP HOLLAND B.V.
's-Hertogenbosch,
The Netherlands.

NAME: AMP-LATCH EJECTION-STYLE PIN HEADER
STRAIGHT VERSION WITH BOARD LOCK DEVICE

DR.:	R.HOGEVEEN	CHK.:	R.VERSTIJNEN	APP.:	L.V.50E5T	DWG.No.	C-216468	LOC.	AI A3	SHEET	1 OF 1	REV.LTR.	B1
DATE:	31-05-89	DATE:	06-06-89	DATE:	07-06-89								