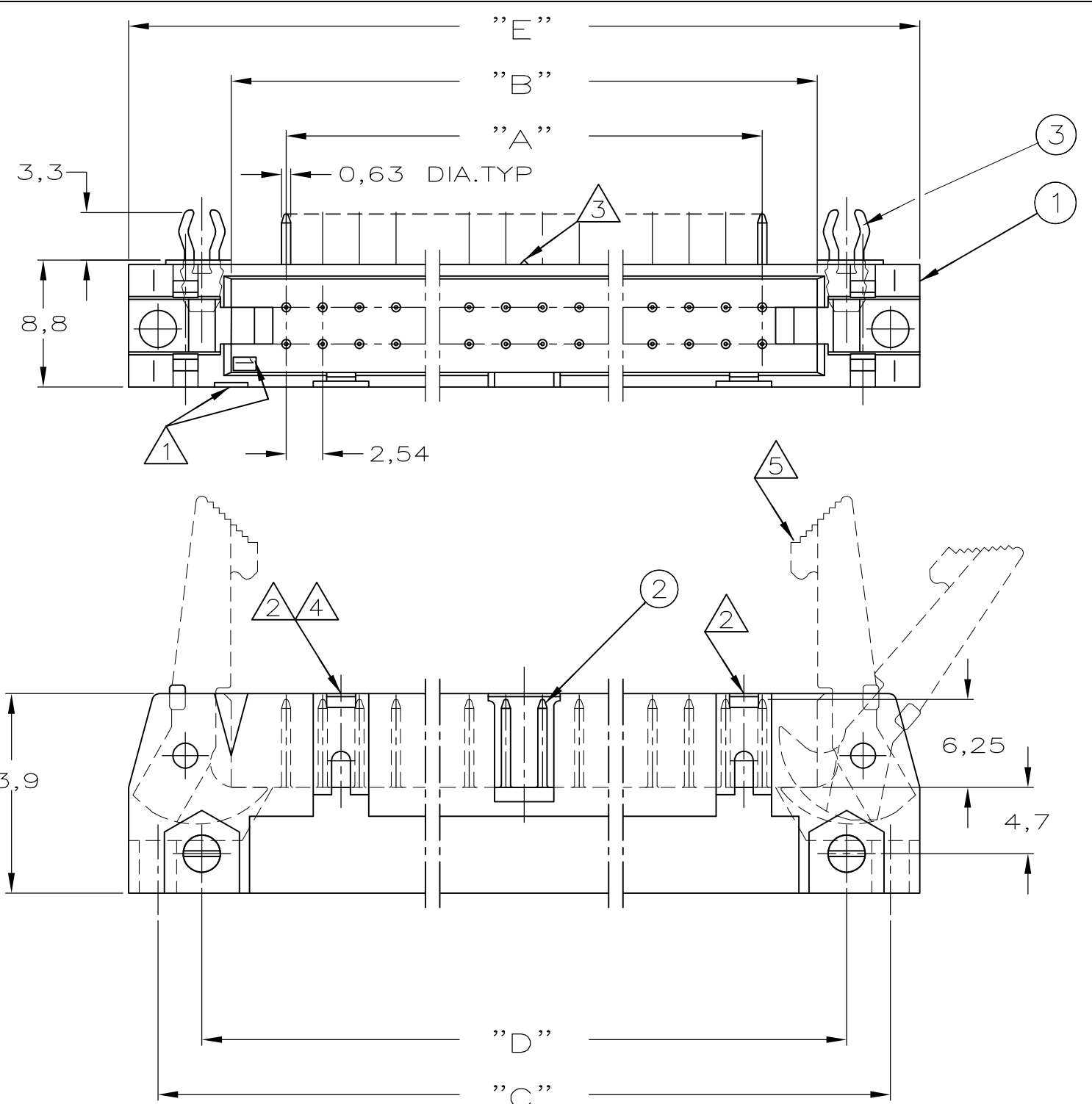


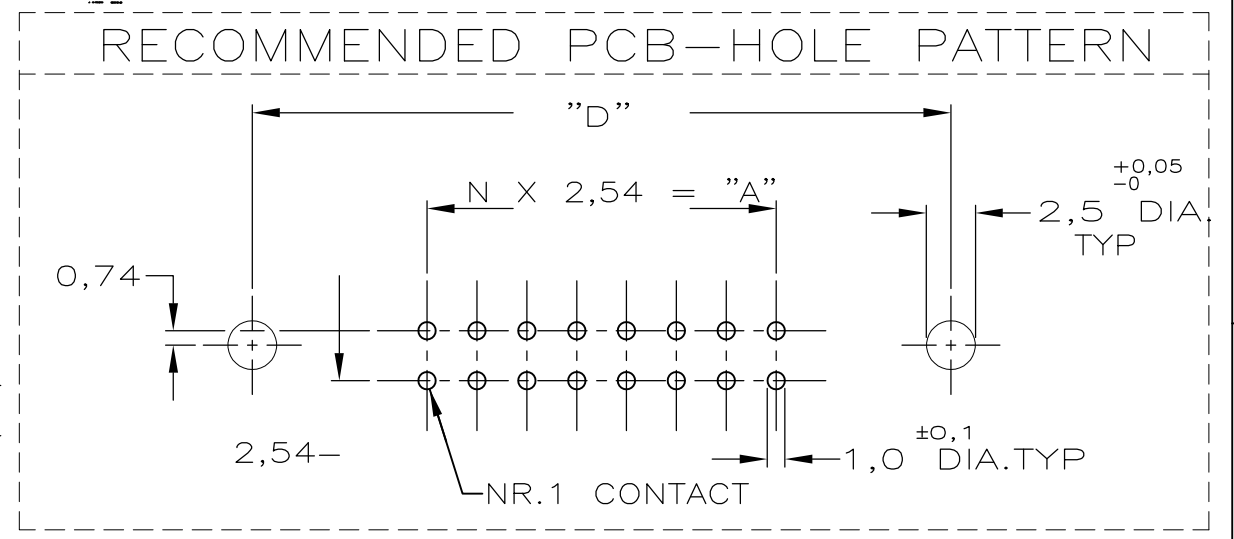
DO NOT SCALE
DIMENSIONS IN mm

METRIC

THIRD ANGLE
PROJECTION



- ① INDICATION OF FIRST POSITION.
- ② SNAP-IN POLARIZERS PN. 927636-2 OR 927637-2 CAN BE APPLIED HERE.
- ③ THERE IS NO CENTER STAND-OFF IN 10-26 POS.
- ④ THERE IS NO WINDOW FOR SNAP-IN POLARIZERS AT THIS END IN 10 AND 14 POS. HEADERS.
- ⑤ SNAP-IN "LATCH / EJECTOR" PN.927176-2 OR 927215-2 CAN BE APPLIED.HEADERS.
- ⑥ OBSOLETE PARTS: OBSOLETE CIS STREAMLINING PER D.RENAUD/D.SINISI



③ BOARD LOCK FOR AMP-LATCH PIN HEADER	BRONZE	5-10µm TIN OVER
② PIN-CONTACT	BRASS	MATING SIDE: 0,8µm AU OR 0,8µm AMP DURAGOLD® / OVER 1,27µm NI SOLDER SIDE: MIN. 3,0µm SN OVER 1,27µm NI
① HOUSING	GLASSFILLED POLYESTER	GREY
COMPONENT NAME	MATERIAL	PLATING / COLOUR

	100,6	90,4	96,5	86,4	78,7	64	6-216469-4
⑥ OBSOLETE	95,5	85,3	91,4	81,3	73,7	60	6-216469-0
	82,8	72,6	78,7	68,6	61,0	50	5-216469-0
⑥ OBSOLETE	70,1	59,9	66,0	55,9	48,3	40	4-216469-0
	62,5	52,3	58,4	48,3	40,6	34	3-216469-4
	52,3	42,2	48,3	38,1	30,5	26	2-216469-6
⑥ OBSOLETE	44,7	34,5	40,6	30,5	22,9	20	2-216469-0
⑥ OBSOLETE	39,6	29,5	35,6	25,4	17,8	16	1-216469-6
	37,1	26,9	33,0	22,9	15,2	14	1-216469-4
	32,0	21,8	27,9	17,8	10,2	10	1-216469-0
	DIM."E"	DIM."D"	DIM."C"	DIM."B"	DIM."A"	NR. OF POSITIONS	PARTNUMBER
VARIABLE CONNECTOR DIMENSIONS							

DR.	CHK.	APP.	DWG.No.	LOC.	SHEET	REV.LTR.
R. HOGEVEEN	R. VERSTIJNEN	L.v.SOEST	C-216469	A1	A3	B2
DATE: 31-05-89	DATE: 06-06-89	DATE: 07-06-89			1 of 1	

CUSTOMER DRAWING FOR REFERENCE ONLY WILL NOT BE UPDATED

© COPYRIGHT 19 - BY AMP-HOLLAND B.V. ALL INTERNATIONAL RIGHTS RESERVED.AMP PRODUCTS MAY BE COVERED BY U.S. AND FOREIGN AND/OR PATENTS PENDING. THIS DRAWING IS UNPUBLISHED RELEASED FOR PUBLICATION - ,19 -

AMP AMP-HOLLAND B.V. 's-Hertogenbosch, The Netherlands.

NAME: AMP-LATCH EJECTION-STYLE PIN HEADER 90°
VERSION WITH BOARD LOCK DEVICE

8 7 6 5 4 3 2 1