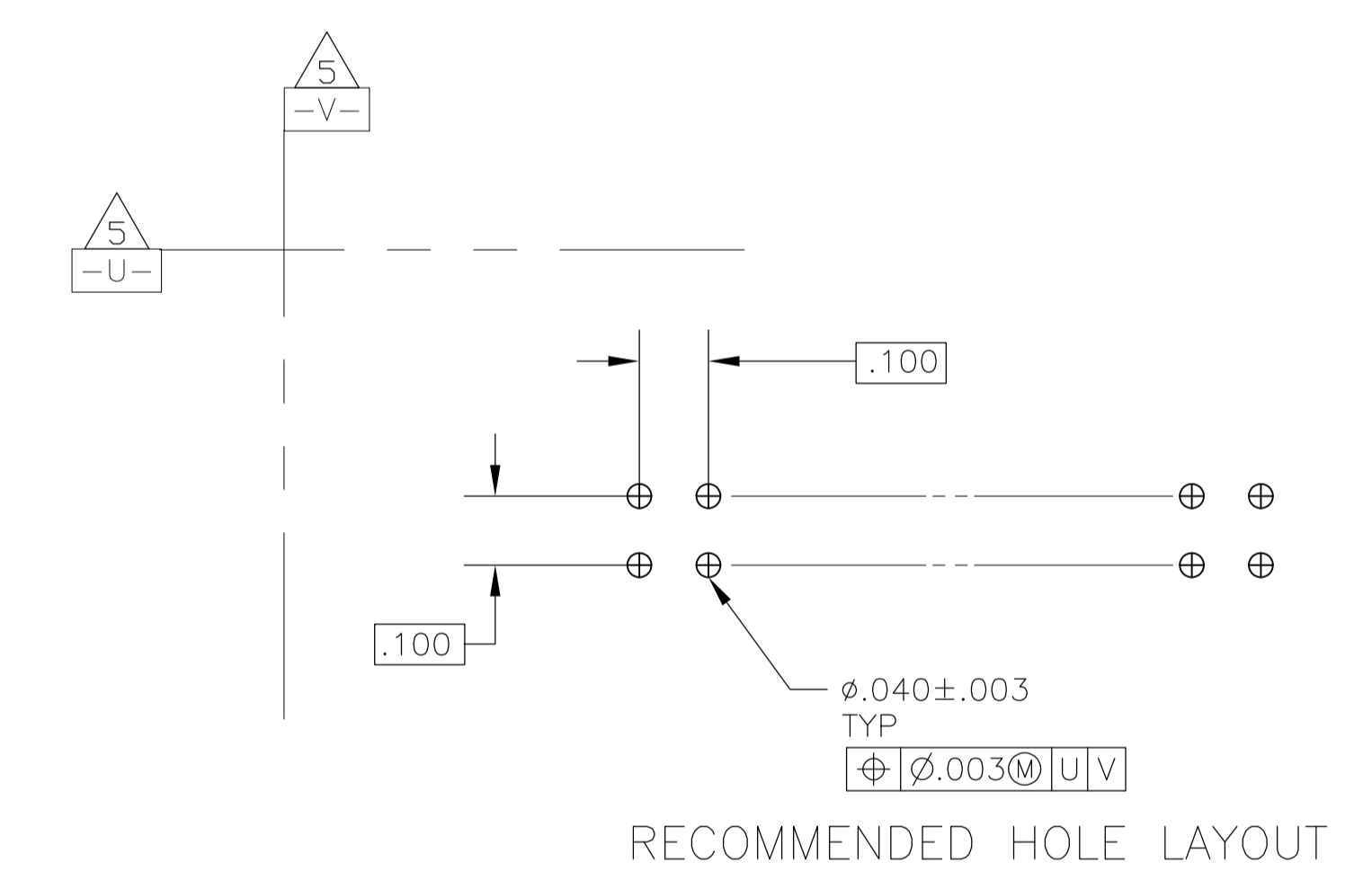
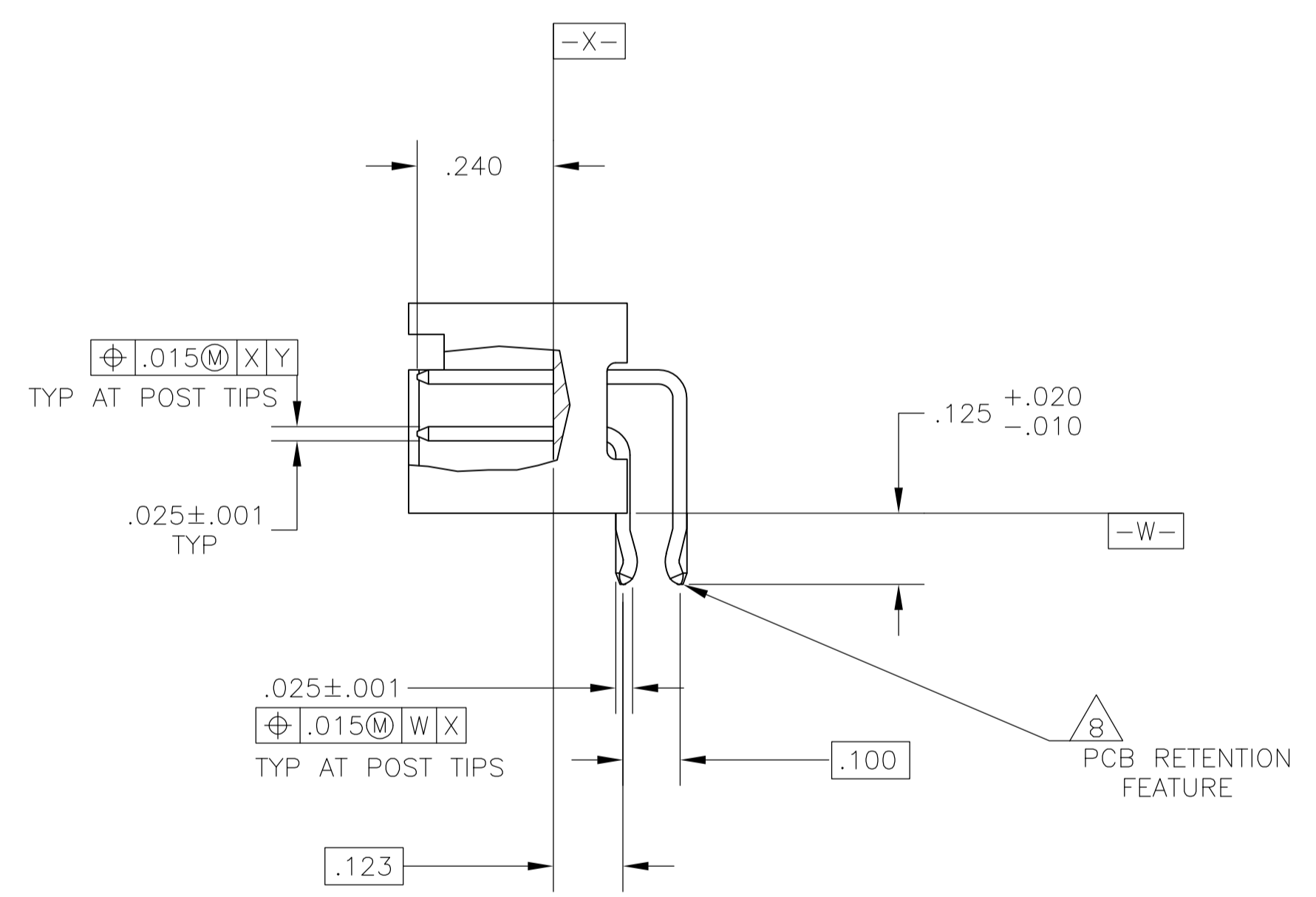
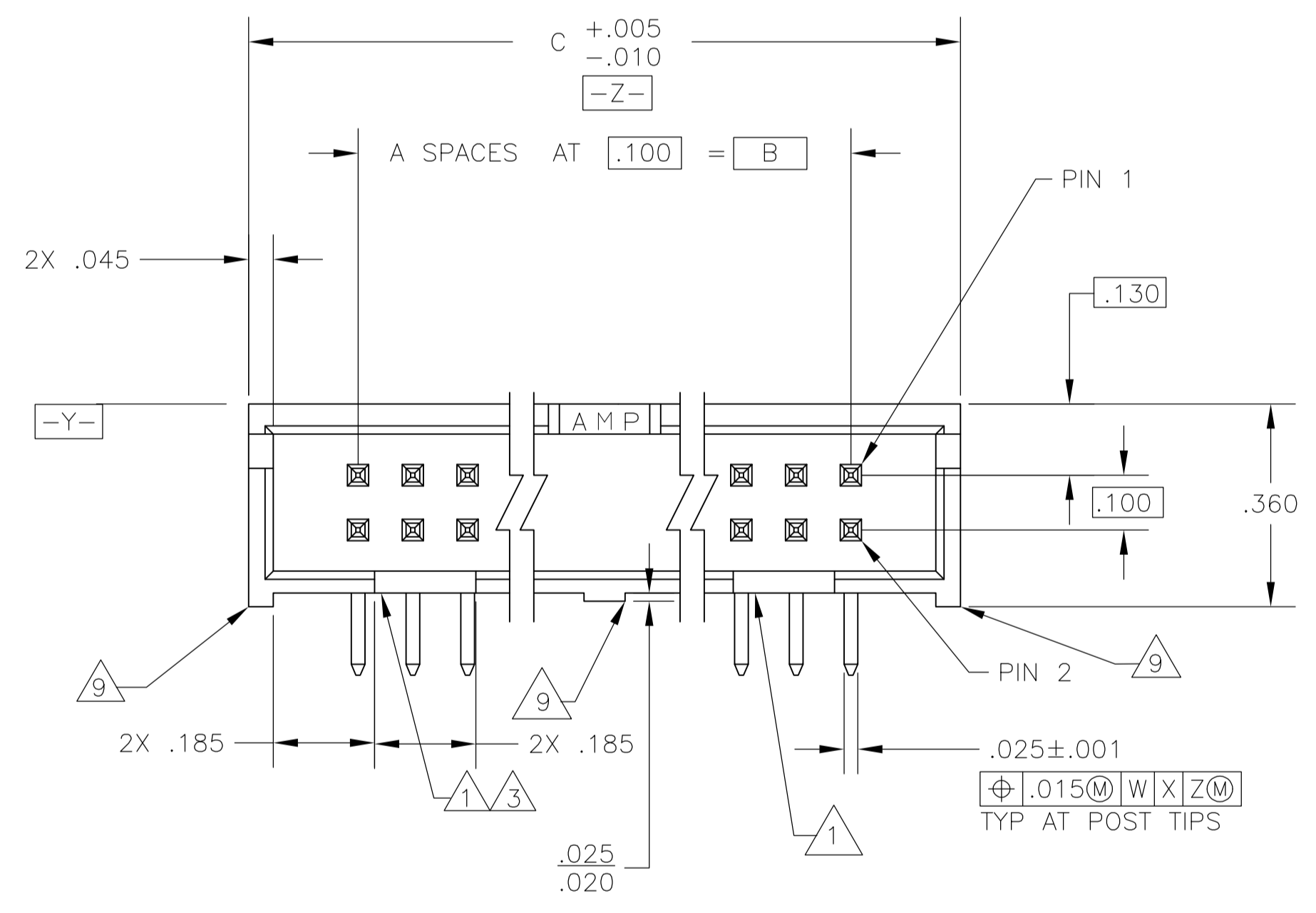
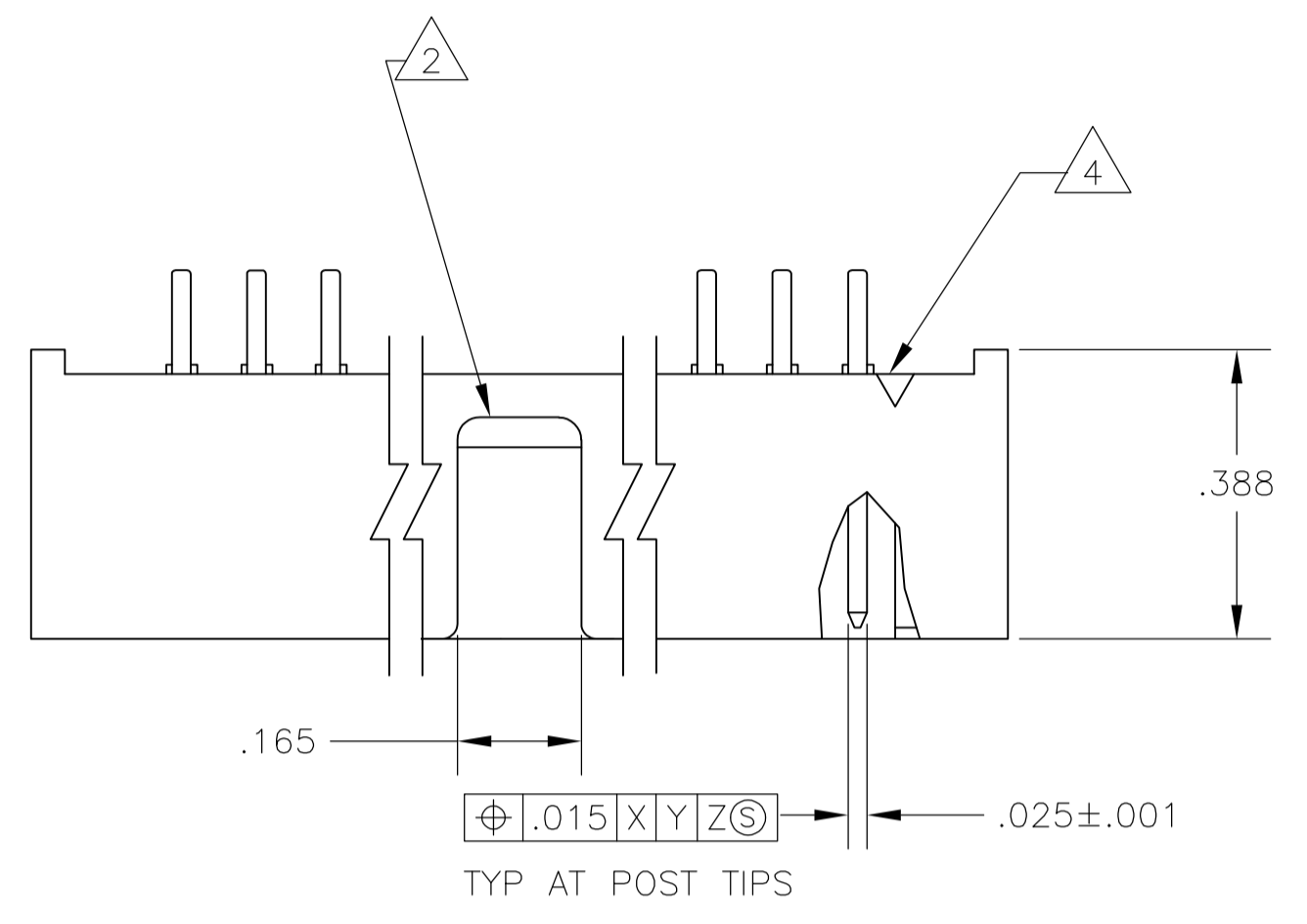


- ① DOUBLE POLARIZATION SLOTS.
- ② CENTER POLARIZATION SLOT.
- ③ FOR 10 POSN ASSEMBLY, SLOT OMITTED IN THIS LOCATION.
- ④ NUMBER 1 POSITION INDICATOR.
- ⑤ DATUMS U AND V TO BE ESTABLISHED BY THE CUSTOMER.
- ⑥ HOUSING: GLASS FILLED PPA, UL 94V-0, COLOR: BLACK. POSTS: BRASS.
- ⑦ POSTS: GOLD FLASH OVER .000015 MIN PALLADIUM-NICKEL PLATE ON THE MATING SURFACES, .000100 MIN TIN PLATE ON THE SOLDER-TAILS, .000050 MIN NICKEL UNDERPLATE ON THE ENTIRE POST.  
-OR-  
.000015 MIN GOLD PLATE ON THE MATING SURFACES, .000100 MIN TIN PLATE ON THE SOLDER-TAILS, .000050 MIN NICKEL UNDERPLATE ON THE ENTIRE POST.
- ⑧ THE RETENTION FEATURE ON THE SOLDER-TAILS WAS DESIGNED FOR A PCB THICKNESS OF .062±.007. THIS FEATURE ONLY APPLIES TO THE SOLDER-TAILS LOCATED ON THE END POSITIONS OF THE CONNECTOR (4 PLACES).
- ⑨ STANDOFFS: ALL POSITION SIZES - 2 LOCATED AT ENDS OF HOUSING. 20 THRU 34 POSITION SIZES - 1 OPTIONAL STANDOFF CENTERED ON HOUSING. 40 & 50 POSITION SIZES - 2 OPTIONAL STANDOFFS EVENLY SPACED WITHIN REMAINING LENGTH OF HOUSING.



2.800	2.400	24	50	5104340-9
2.300	1.900	19	40	5104340-8
2.000	1.600	16	34	5104340-7
1.500	1.100	11	24	5104340-5
1.300	.900	9	20	5104340-4
1.100	.700	7	16	5104340-3
1.000	.600	6	14	5104340-2
.800	.400	4	10	5104340-1
C	B	A	NO OF POSN	PART NUMBER

THIS DRAWING IS A CONTROLLED DOCUMENT.

DIMENSIONS: INCHES	TOLERANCES UNLESS OTHERWISE SPECIFIED:	0 PLC ± -	1 PLC ± -	2 PLC ± -	3 PLC ± .005	4 PLC ± -	ANGLES ± -
--------------------	--	-----------	-----------	-----------	--------------	-----------	------------

APPROVED: M. WALMSLEY	DATE: 03 NOV 05	NAME: M. WALMSLEY
PRODUCT SPEC: 108-40018	APPLICATION SPEC: -	SIZE: A1
WEIGHT: -	CAGE CODE: 00779	DRAWING NO: 5104340

THIS DRAWING IS A CONTROLLED DOCUMENT. Tyco Electronics Corporation, Harrisburg, PA 17105-3608. HEADER ASSY, RIGHT ANGLE, LOW PROFILE, AMP-LATCH. SCALE: 4:1. SHEET 1 OF 1. REV D.