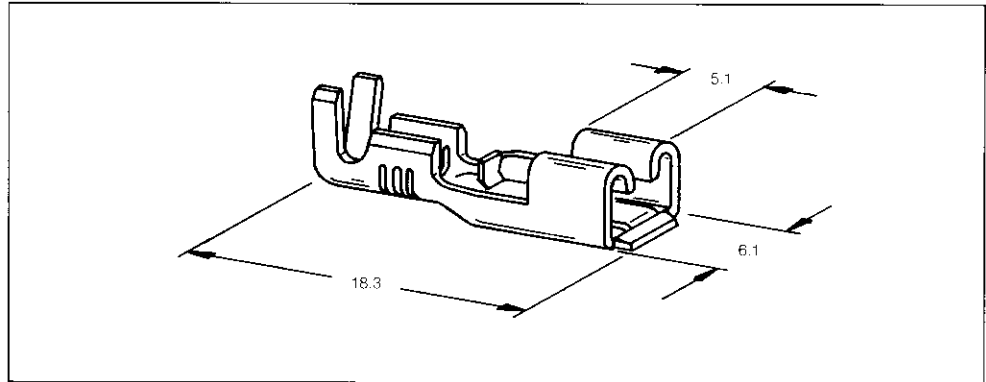


Receptacle Contacts



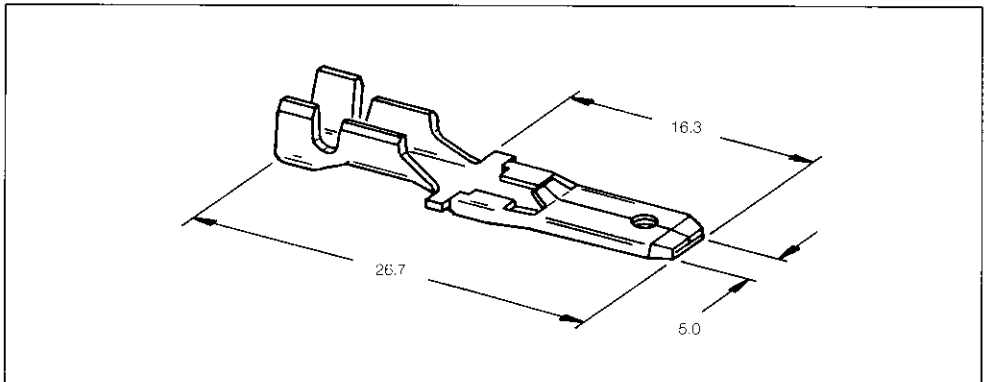
Receptacle Contacts

Wire Size Range mm ² (AWG)	Insulation Diameter FLK mm (Inch)	Insulation Diameter FLR mm (Inch)	Material and Finish	Part Numbers				Applicator *	Hand Tool
				Strip Form	Packaging Unit	Loose-Piece	Packaging Unit		
0.5-1.5 (20-15)	2.2-3.3 (.087-.130)	-	CuSn, plain	1-281405-1	5,000	182703-3	500	-	825514-1
			CuSn, tin plated	1-281405-2	-	-	-		
1.5-2.5 (15-13)	4.2 max. (.165)	-	CuZn, tin plated	737085-2	-	-	-	-	-
			CuSn, plain	737085-3	2,500	-	-		

*) Applicators are application specific, consult Tyco Electronics for details.

Tab Contacts

**Tab Contact,
Mates with
Receptacle Contacts**



Wire Size Range mm ² (AWG)	Insulation Diameter FLK mm (Inch)	Insulation Diameter FLR mm (Inch)	Material and Finish	Part Numbers				Applicator *	Hand Tool
				Strip Form	Packaging Unit	Loose-Piece	Packaging Unit		
0.3-1.0 (22-17)	1.8-3.0 (.071-.118)	-	CuSn, plain	142215-3	4,000	737068-3	500	-	825514-1

*) Applicators are application specific, consult Tyco Electronics for details.

Extraction Tool: Part No. 484127-1