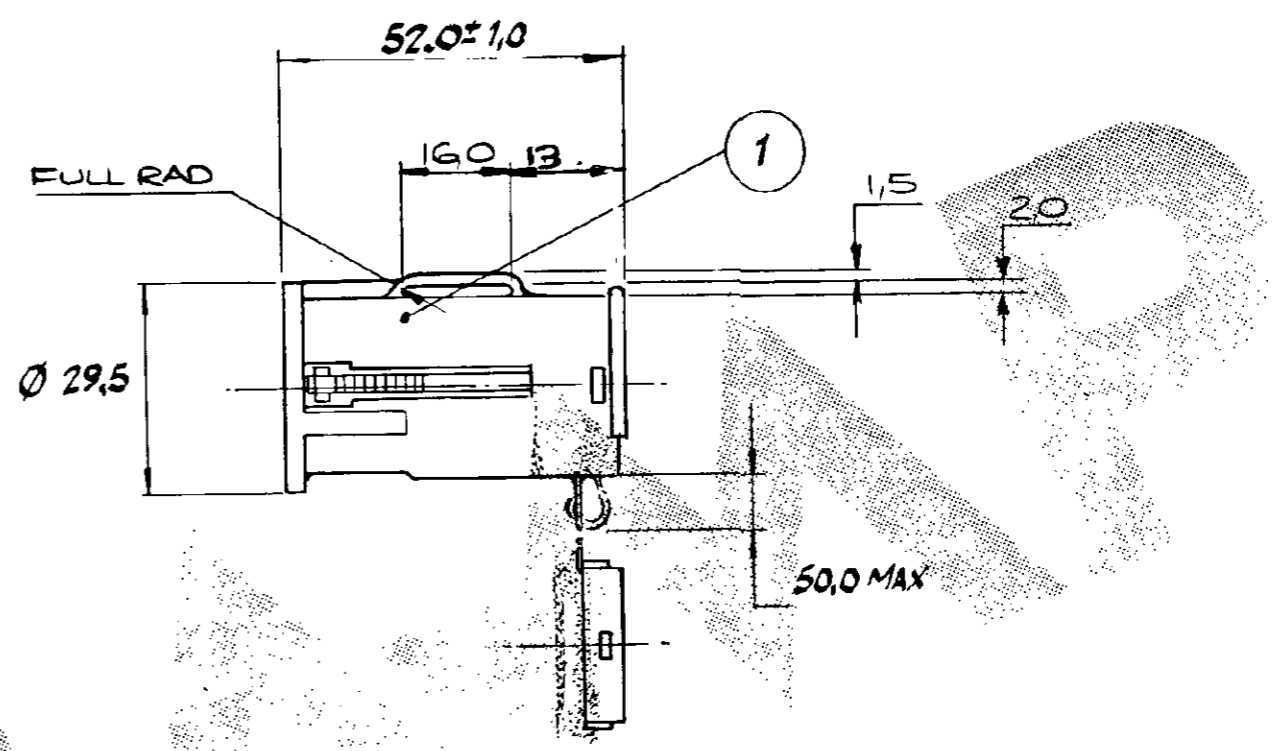
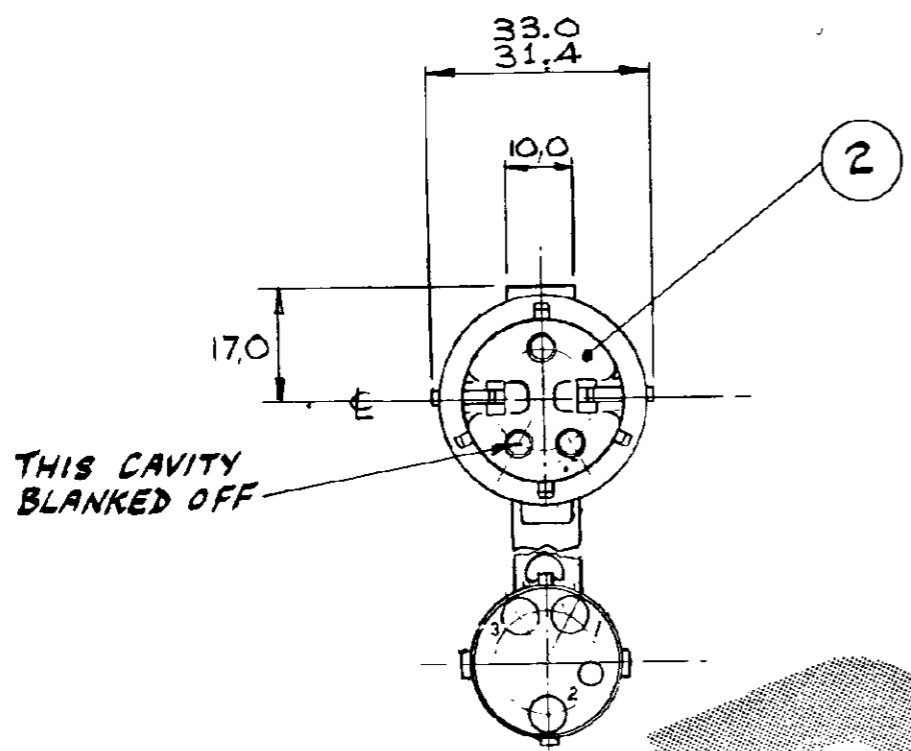


NUMBER
C343048

3rd ANGLE (AMERICAN) PROJECTION

METRIC

DO NOT SCALE PRINT



NOTES:-

- 1. USE CONTACT Pt/Nº 342543 OR 342545 & CABLE SEAL Nº 342526 + FILLER TIP 172189
- 2. THIS CONNECTOR MATES WITH CONNECTOR Pt/Nº 343078
- 3 NYLON 66, UL 94 V2.
- 4 NEOPRENE (SILICONE OIL LUBRICATED) BS 2752 C40 COLOUR BLACK.
- 5 OBSOLETE PARTS: OBSOLETE CIS STREAMLINING PER D.RENAUD/D.SINISI
- 6 OBSOLETE

ITEM	DESCRIPTION	PART NO.	Nº OFF	MATERIAL	COLOUR	ASSEMBLY NO.
2	FACE SEAL	342525-1	1			343048-9
1	PIN HOUSING	343032-9	1		BLACK	OBSOLETE
2	FACE SEAL	342525-1	1			343048-8
1	PIN HOUSING	343032-8	1		BROWN	
2	FACE SEAL	342525-1	1			343048-7
1	PIN HOUSING	343032-7	1		VIOLET	OBSOLETE
2	FACE SEAL	342525-1	1			343048-6
1	PIN HOUSING	343032-6	1		BLUE	OBSOLETE
2	FACE SEAL	342525-1	1			343048-5
1	PIN HOUSING	343032-5	1		GREEN	
2	FACE SEAL	342525-1	1			343048-4
1	PIN HOUSING	343032-4	1		ORANGE	
2	FACE SEAL	342525-1	1			343048-3
1	PIN HOUSING	343032-3	1		YELLOW	
2	FACE SEAL	342525-1	1			343048-2
1	PIN HOUSING	343032-2	1		RED	
2	FACE SEAL	342525-1	1			343048-1
1	PIN HOUSING	343032-1	1		NATURAL	

ISS	REVISION RECORD	DR	CHK	DATE
DR	TLS	22-3-82	DE	
APP	M. Decker	11-1-81		

AS CP61-13420

© AMP of GREAT BRITAIN LTD 1982

CUSTOMER COPY REFERENCE ONLY

MATERIAL AND FINISH AS TABLE

AMP of Great Britain Ltd.

TERMINAL HOUSE, STANMORE, MIDDX.

CLASS

WIRE - RANGE - INSULATION TYPE

TOLERANCE EXCEPT AS NOTED ± 0.50 ± 1° 0'

SCALE 1:1

LOC E B

NO C343048

REV A1

2. WAY PIN HOUSING ASSY. (SEALED)

PRINT DIST.