

### Tab Header for PC Board, Vertical Mount Type 3.96mm Centerline (2 Pos. is 7.92mm Centerline) (Cont'd)

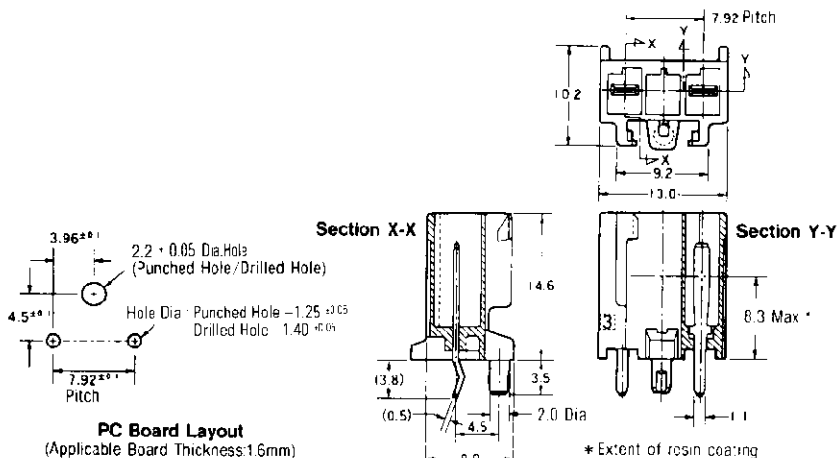
#### For 2 Circuits

##### Material & Finish:

Housing — UL 94V-0 rated,  
glass-filled 6/6 nylon  
Contact — Copper alloy,  
tin-lead plated

##### Part Number:

- 179844-1** (Natural)
- 179844-2** (Red)
- 179844-4** (Yellow)
- 179844-6** (Blue)
- 179844-9** (Black)



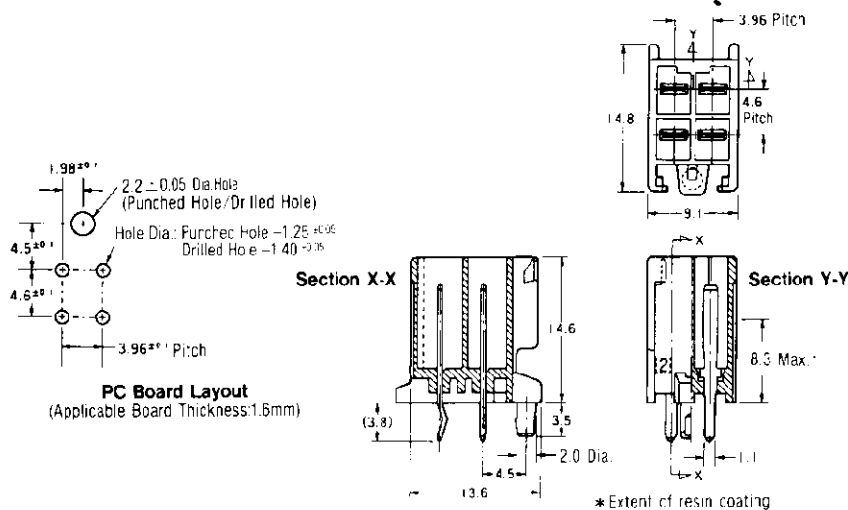
#### For 4 Circuits (2 rows)

##### Material & Finish:

Housing — UL 94V-0 rated,  
glass-filled 6/6 nylon  
Contact — Copper alloy,  
tin-lead plated

##### Part Number:

- 179840-1** (Natural)
- 179840-4** (Yellow)
- 179840-6** (Blue)



#### For 6 Circuits (2 rows)

##### Material & Finish:

Housing — UL 94V-0 rated,  
glass-filled 6/6 nylon  
Contact — Copper alloy,  
tin-lead plated

##### Part Number:

- 179841-1** (Natural)
- 179841-4** (Yellow)
- 179841-6** (Blue)

