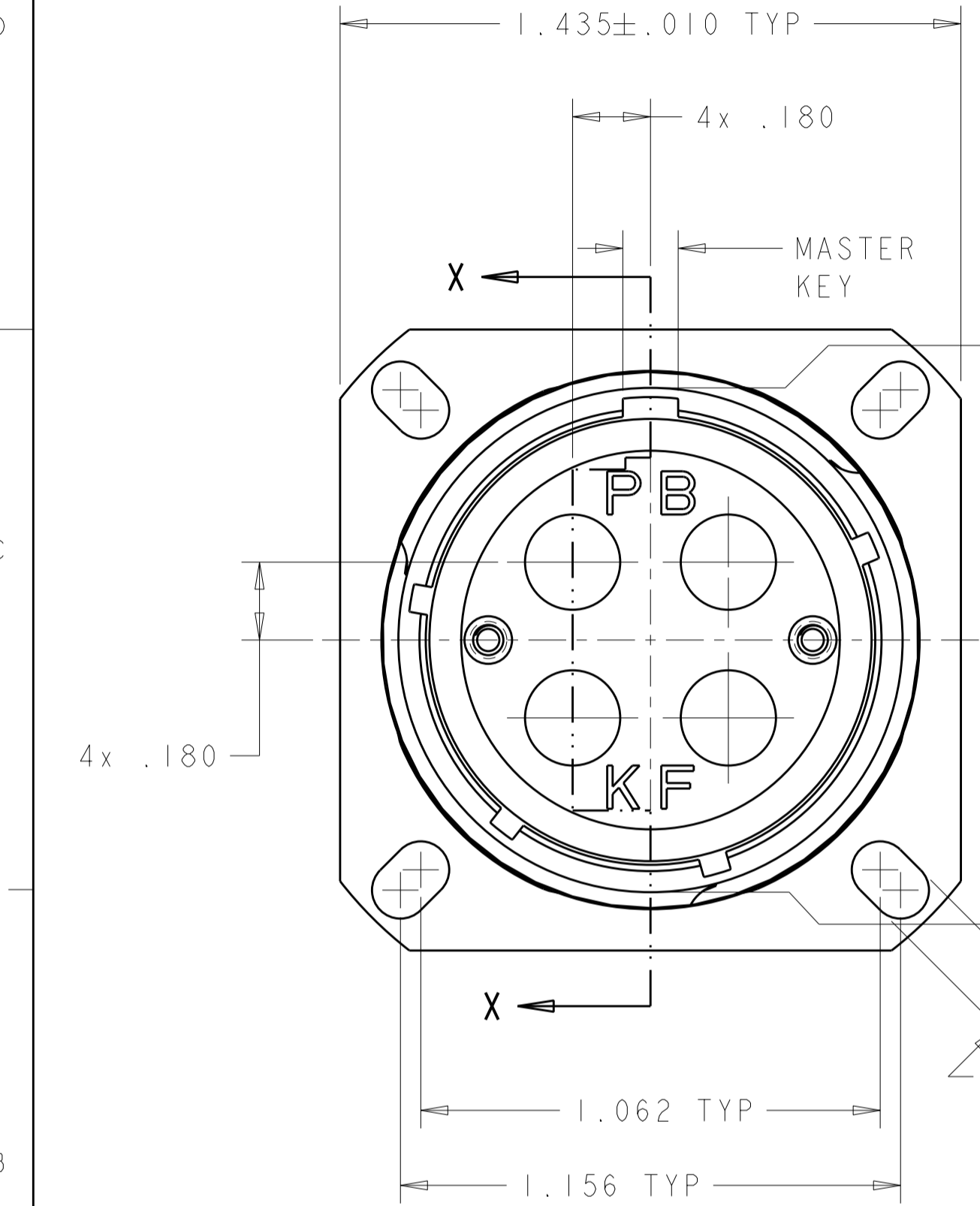


THIS DRAWING IS UNPUBLISHED. RELEASED FOR PUBLICATION 20  
 © COPYRIGHT 20 BY TYCO ELECTRONICS CORPORATION. ALL RIGHTS RESERVED.

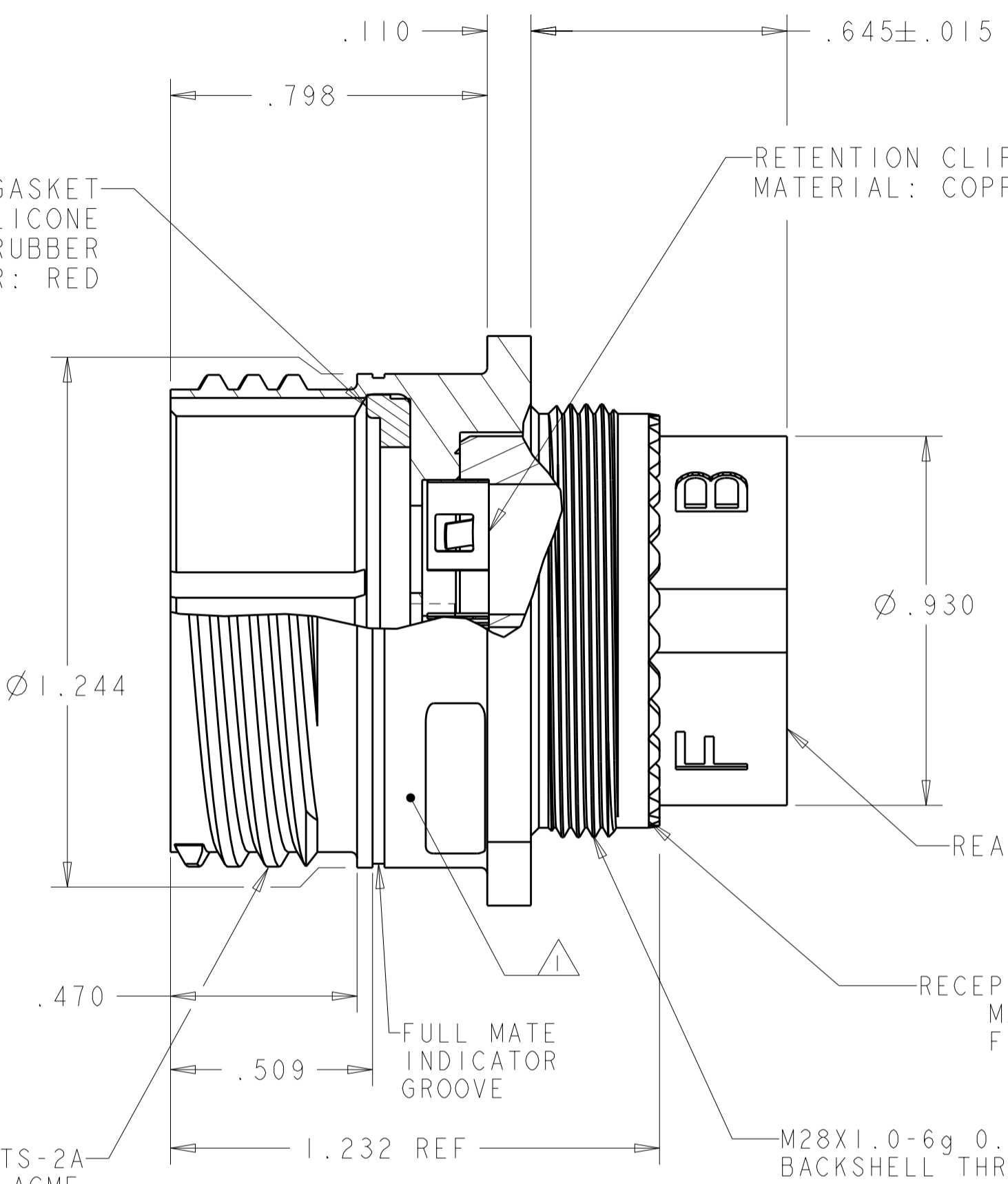
LOC		DIST		REVISIONS			
P	LTR	DESCRIPTION	DATE	DWN	APVD		
C		REV PER ECO 08-029679	2-5-09	CT	DM		



PERIPHERAL GASKET  
 MATL: SILICONE RUBBER  
 COLOR: RED

INTERFACE DIMENSIONS AND KEYWAY ARRANGEMENT "N" SHOWN PER MIL-DTL-38999K

1.2500 0.1P-0.3L-TS-2A  
 MODIFIED 60° STUB ACME TRIPLE START THREAD



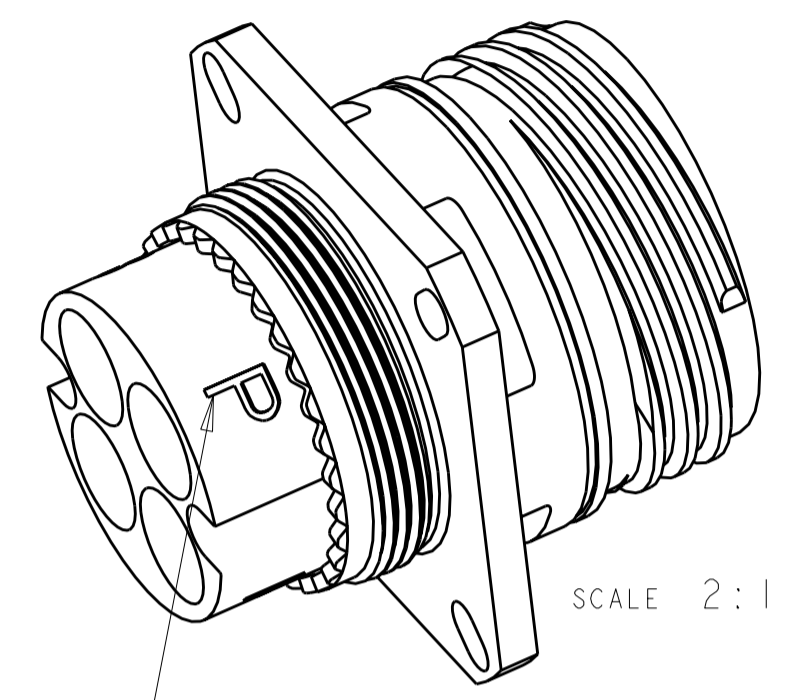
SECTION X-X

RETENTION CLIP, QTY: 4  
 MATERIAL: COPPER ALLOY

REAR RETAINER  
 MATERIAL: ALUMINUM ALLOY  
 FINISH: ELECTROLESS NICKEL

RECEPTACLE SHELL  
 MATERIAL: ALUMINUM ALLOY  
 FINISH: ELECTROLESS NICKEL

M28X1.0-6g 0.100R  
 BACKSHELL THREAD



CIRCUIT IDENTIFICATION MARKED ON OUTER CIRCUMFERENCE APPROX AS SHOWN.

1. PART IS MARKED WITH TYCO ELECTRONICS PART NO. (SEE TABLE), TYCO ELECTRONICS LOGO OR TE, TYCO ELECTRONICS CAGE CODE, AND DATE CODE.

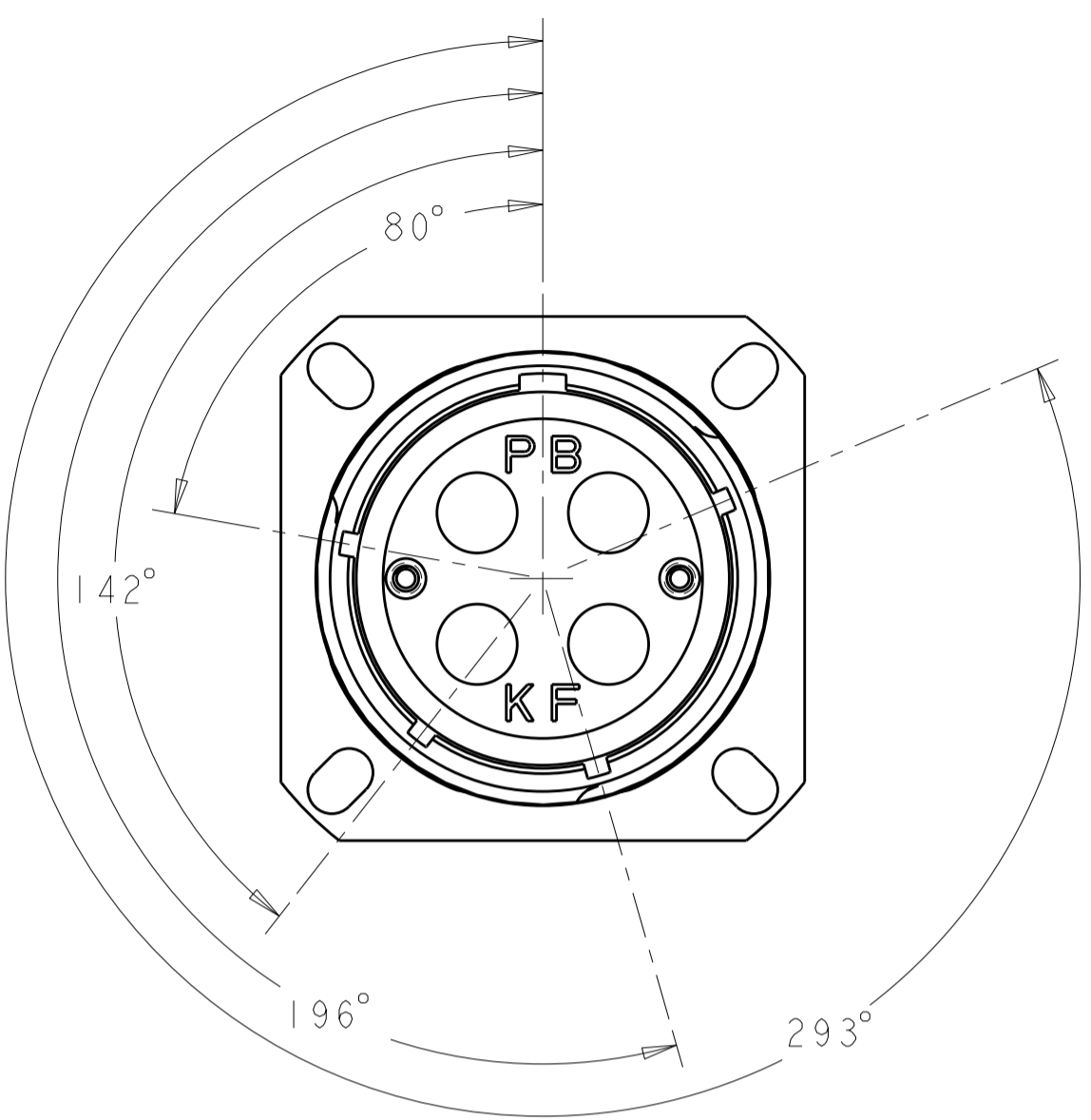
2. OPERATING TEMPERATURE RANGE: -65°C TO +125°C (-85°F TO +257°F).

B	1950031-3
A	1950031-2
N	1950031-1
SHELL KEYING ARRANGEMENT	PART NUMBER

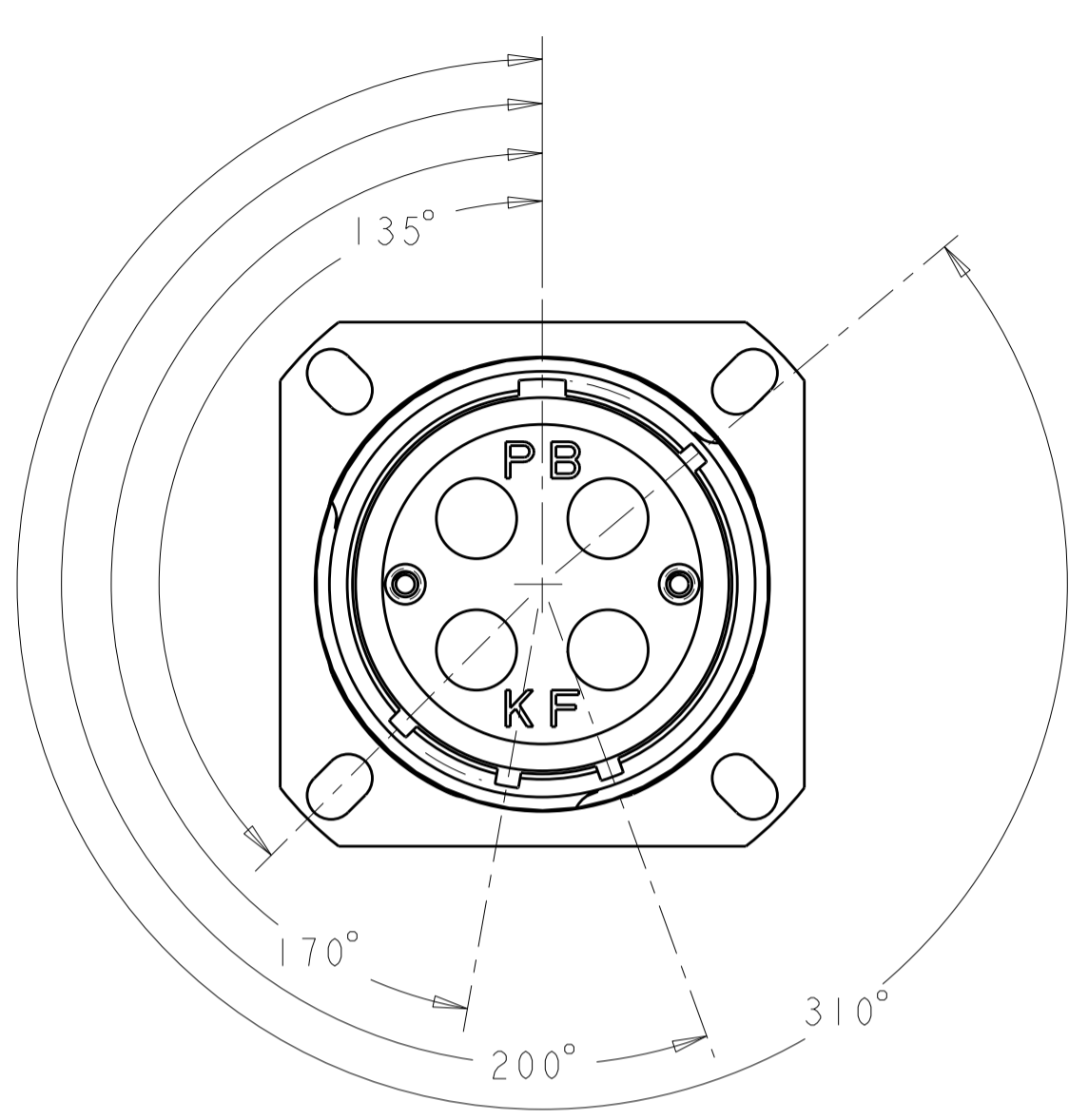
DIMENSIONS:		TOLERANCES UNLESS OTHERWISE SPECIFIED:		DWN		Tyco Electronics	
INCHES		0 PLC	±	CJV	05JUN2006	Tyco Electronics Harrisburg, PA 17105-3608	
		1 PLC	±.1	CHK	05JUN2006	NAME RECEPTACLE ASSEMBLY, SIZE 19, 4C4, WALL MOUNT, M38999 STYLE	
		2 PLC	±.01	L OH	05JUN2006	SIZE CAGE CODE DRAWING NO RESTRICTED TO	
		3 PLC	±.005	APVD	05JUN2006	A2 00779 C-1950031	
		4 PLC	±.0020	PRODUCT SPEC		SCALE 1:1 SHEET 1 OF 2 REV C	
		ANGLES	±1°	APPLICATION SPEC			
		FINISH		WEIGHT			
MATERIAL				CUSTOMER DRAWING			

THIS DRAWING IS UNPUBLISHED. RELEASED FOR PUBLICATION 20  
 © COPYRIGHT 20 BY TYCO ELECTRONICS CORPORATION. ALL RIGHTS RESERVED.

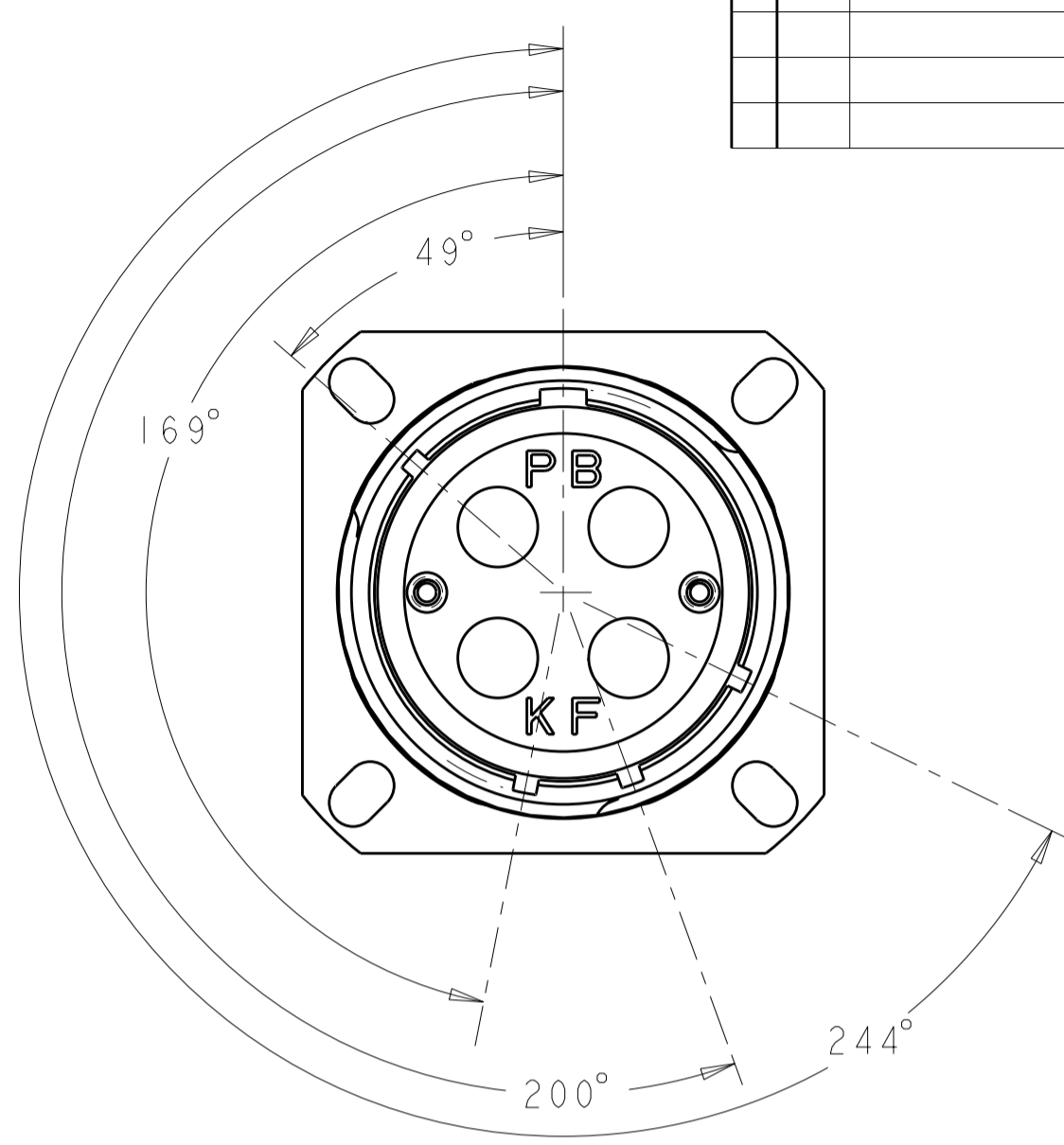
LOC		DIST		REVISIONS			
P	LTR	DATE	DWN	APVD	DESCRIPTION		
DF	A5	-	-	-	SEE SHEET 1		



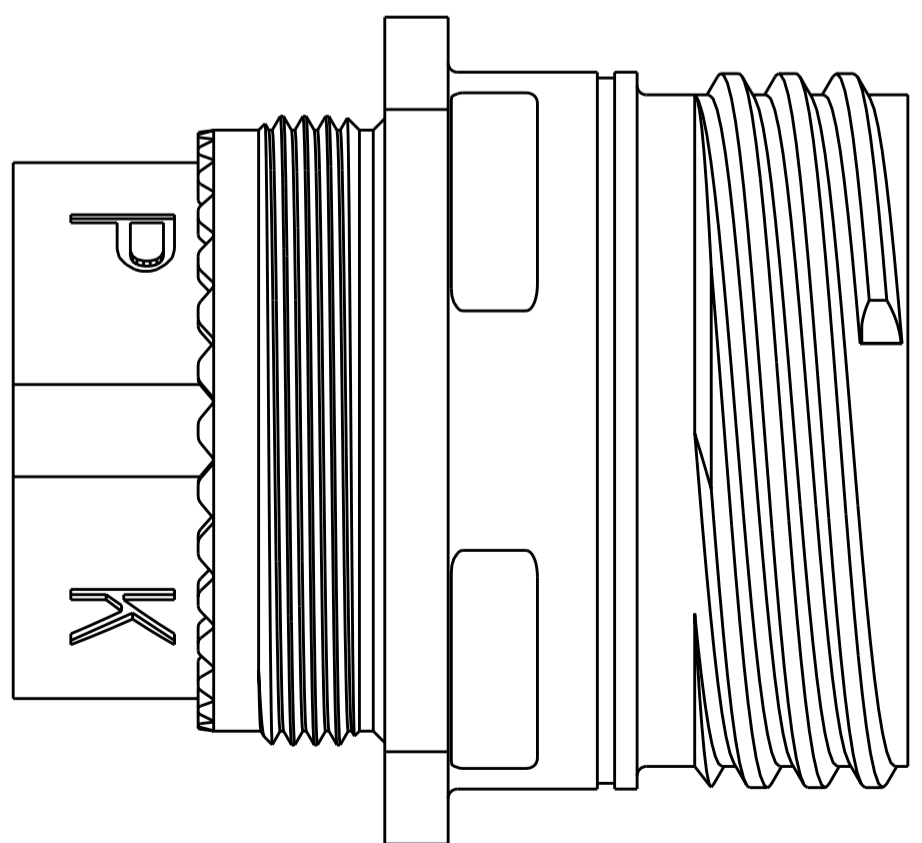
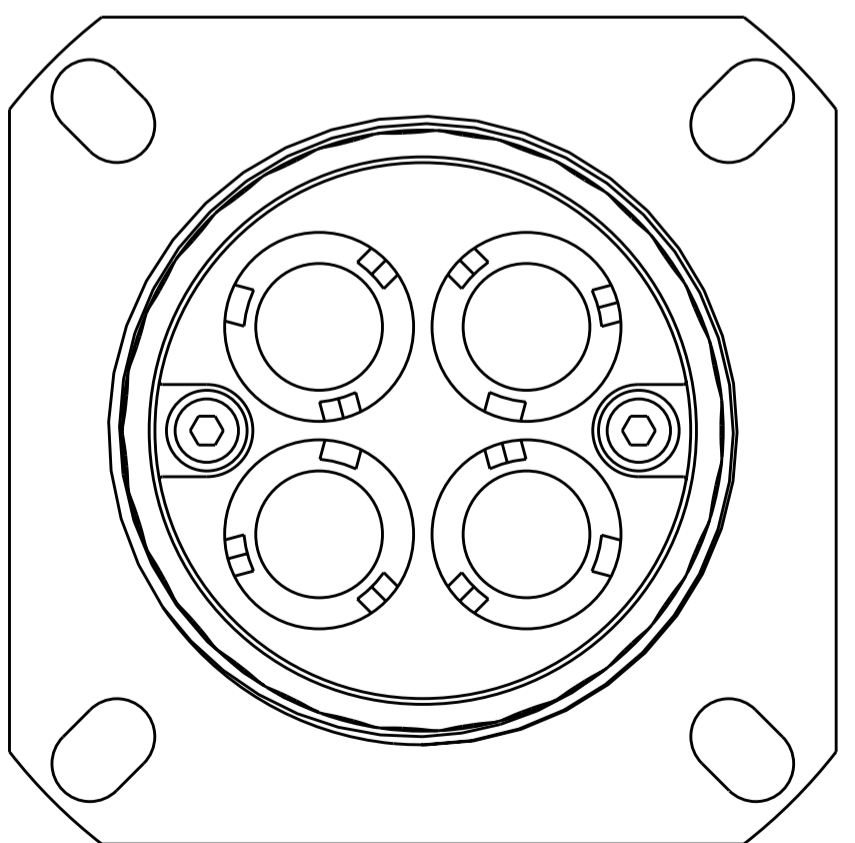
1811598-1  
"N" POLARIZATION



1811598-2  
"A" KEY POLARIZATION



1811598-3  
"B" KEY POLARIZATION



<small>THIS DRAWING IS A CONTROLLED DOCUMENT FOR TYCO ELECTRONICS CORPORATION. IT IS SUBJECT TO CHANGE AND THE CONTROLLING ENGINEERING ORGANIZATION SHOULD BE CONTACTED FOR THE LATEST REVISION.</small>		DWN	05JUN2006	Tyco Electronics Harrisburg, PA 17105-3608
DIMENSIONS: INCHES		CHK	05JUN2006	
		APVD	05JUN2006	
TOLERANCES UNLESS OTHERWISE SPECIFIED: 0 PLC ±. 1 PLC ±.01 2 PLC ±.01 3 PLC ±.005 4 PLC ±.0020 ANGLES ±1° FINISH		PRODUCT SPEC	-	
MATERIAL	-	APPLICATION SPEC	-	NAME
-		WEIGHT	-	RECEPTACLE ASSEMBLY, SIZE 19, 4C4, WALL MOUNT, M38999 STYLE
-		CUSTOMER DRAWING	SCALE 1:1	SIZE
-		SCALE 1:1	SHEET 2 OF 2	CAGE CODE
-		RESTRICTED TO	REV C	DRAWING NO
-		RESTRICTED TO	REV C	A2 00779 C-1950031