

4

3

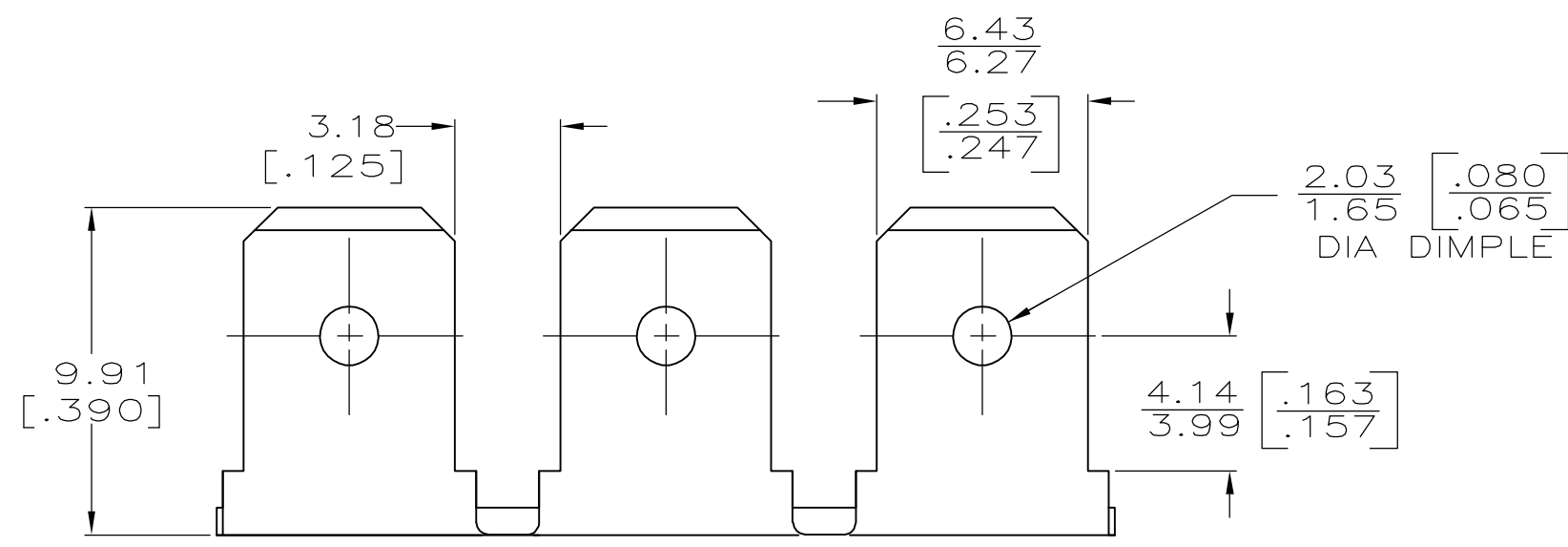
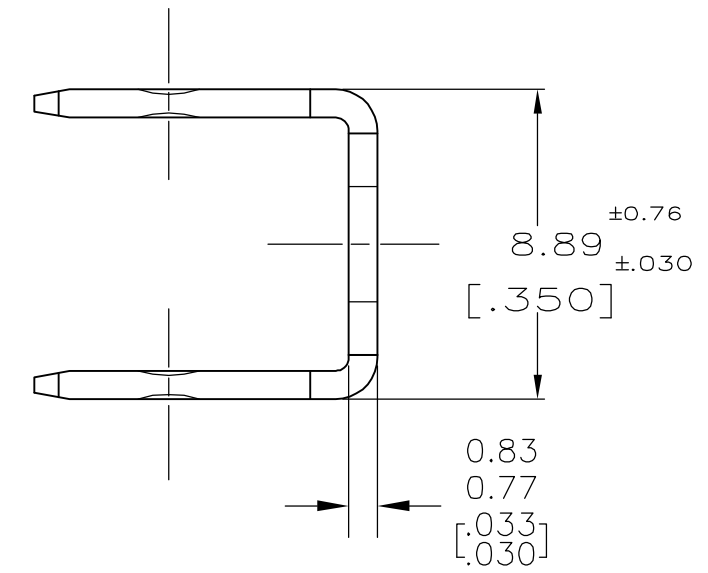
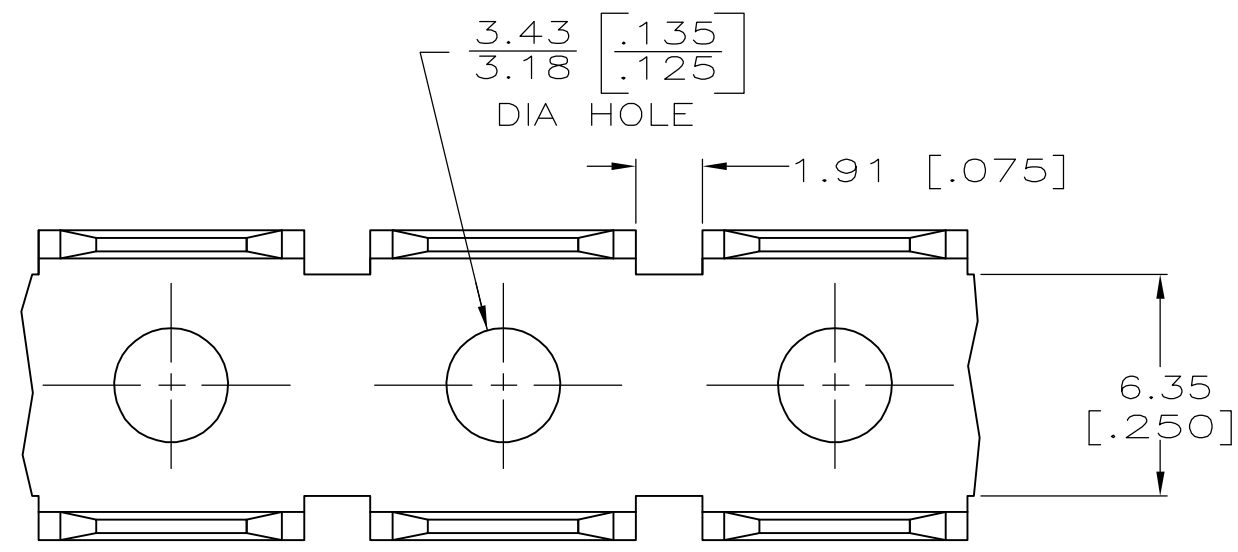
2

1

THIS DRAWING IS UNPUBLISHED. RELEASED FOR PUBLICATION
 © COPYRIGHT BY TYCO ELECTRONICS CORPORATION. ALL RIGHTS RESERVED.

LOC	DIST	REVISIONS					
AF	50	P	LTR	DESCRIPTION	DATE	DWN	APVD
			AM	REV PER ECR-05-017287	06APR06	HMR	JR

1 CONTINUOUS STRIP ON REELS.



-	42115-6
TIN	42115-4
FINISH	PART NO

THIS DRAWING IS A CONTROLLED DOCUMENT.		DWN	JR RUTH	12/2/91	 Tyco Electronics Corporation Harrisburg, PA 17105-3608
DIMENSIONS: mm [INCHES]		CHK	MS FEHER	12/2/91	
		APVD	MEYERS	12/2/91	
TOLERANCES UNLESS OTHERWISE SPECIFIED:		PRODUCT SPEC		NAME	
0 PLC ± -		-		TAB, FASTON, 6.35 [.250] SERIES	
1 PLC ± -		-		SIZE	
2 PLC ± -		APPLICATION SPEC		CAGE CODE	
3 PLC ± 0.38 [.015]		-		DRAWING NO	
4 PLC ± -		-		RESTRICTED TO	
ANGLES ± -		WEIGHT		-	
MATERIAL		-		A3 00779 C-42115	
082 BRASS		FINISH		SEE TABLE	
-		CUSTOMER DRAWING		SCALE 5:1	
-		-		SHEET 1 of 1	
-		-		REV AM	