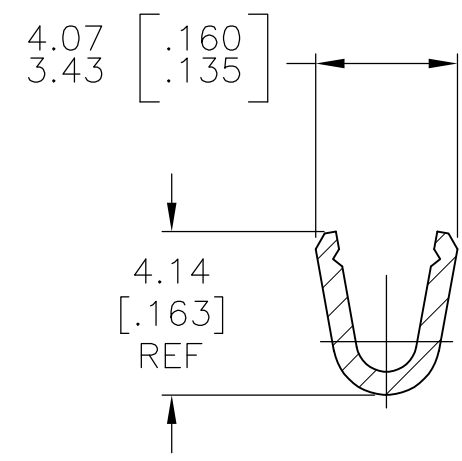
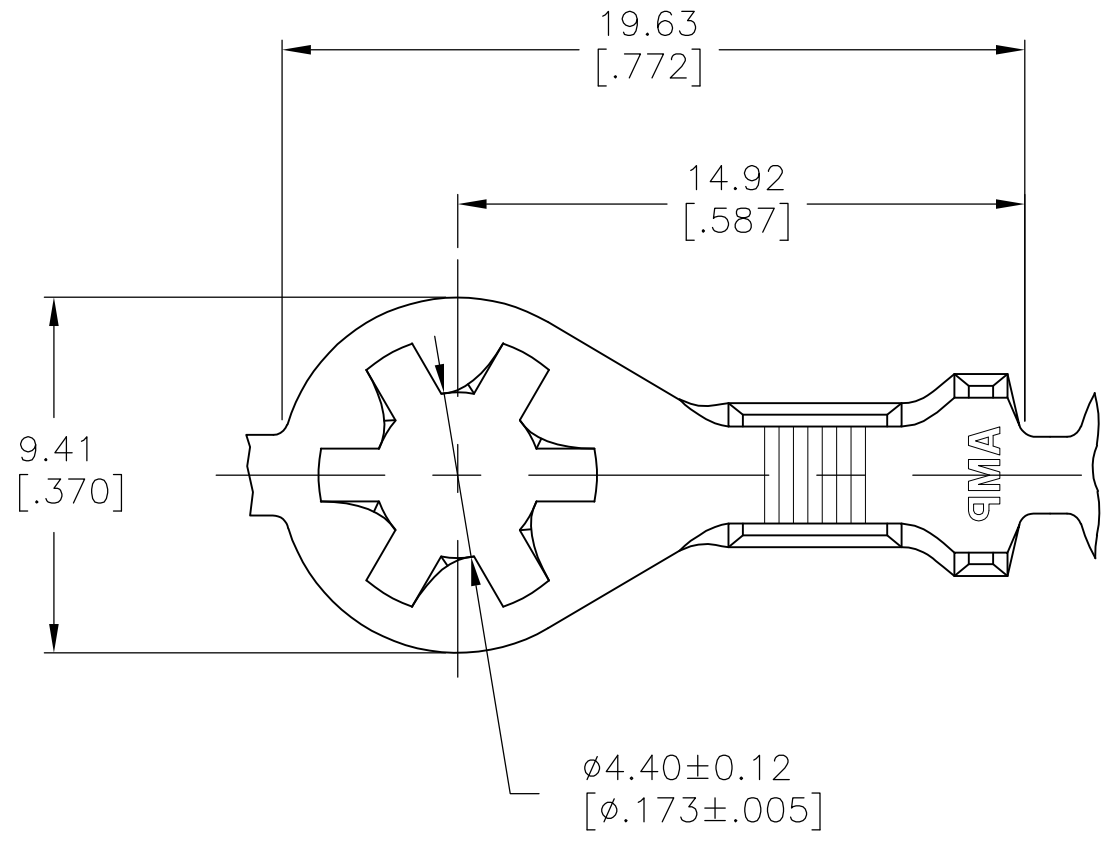


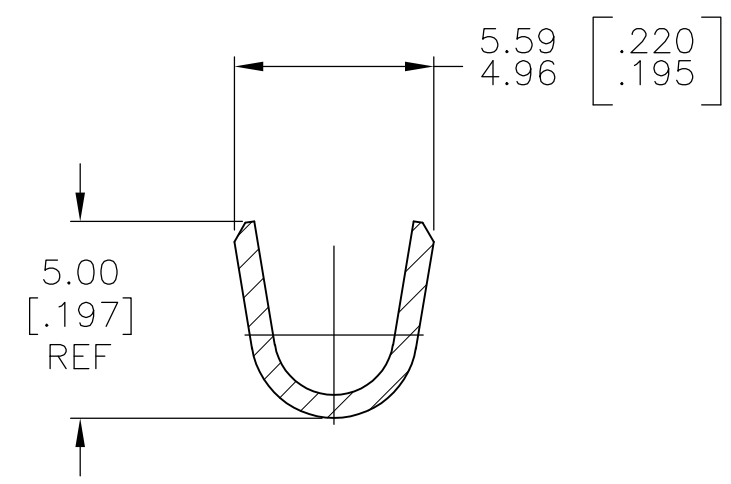
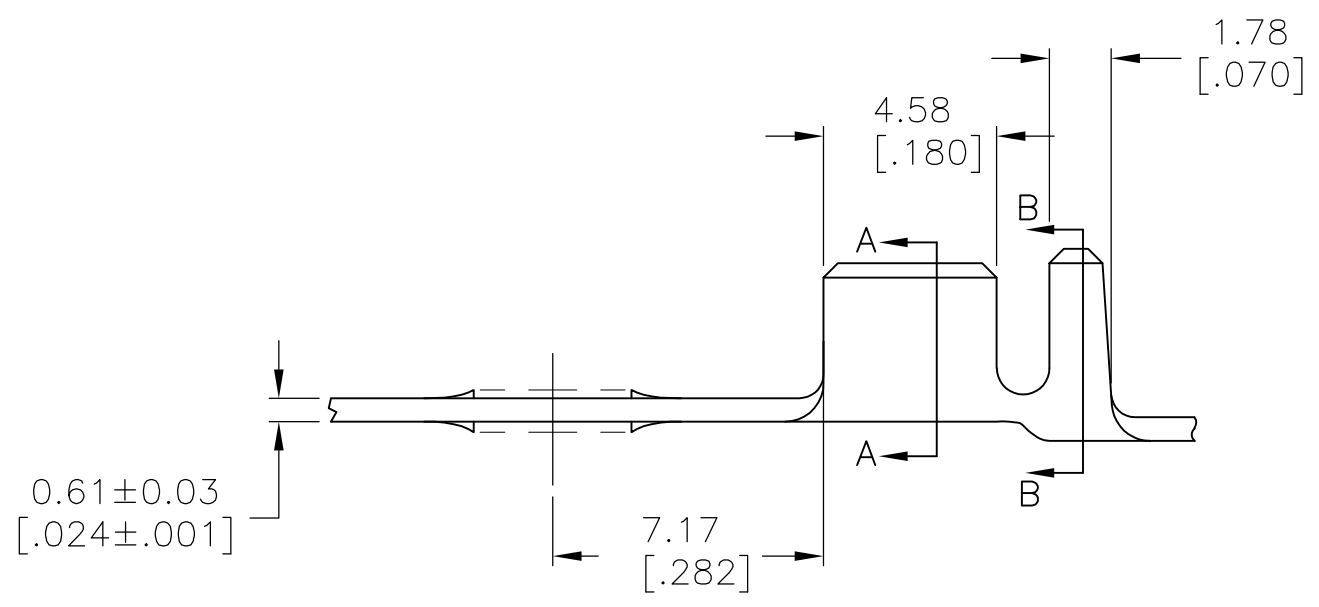
THIS DRAWING IS UNPUBLISHED. RELEASED FOR PUBLICATION  
 © COPYRIGHT BY TYCO ELECTRONICS CORPORATION. ALL RIGHTS RESERVED.

LOC	DIST	REVISIONS			
P	LTR	DESCRIPTION	DATE	DWN	APVD
AF	15	D1	ECR-07-027971 (REDRAWN IN AUTOCAD)	05DEC07	HMR MF



SECTION A-A

- 1 CONTINUOUS STRIP ON REELS
- 2 WIRE RANGE: 18 - 14 AWG
- 3 INSULATION RANGE:  
2.67 - 3.68 [.105 - .145] DIA.



SECTION B-B

640051-1  
PART NO

THIS DRAWING IS A CONTROLLED DOCUMENT.		DWN RAGHAVENDRA 26JUN2007	Tyco Electronics Corporation Harrisburg, PA 17105-3608		
DIMENSIONS: mm [INCHES]		CHK MIKE FEHER 26JUN2007	NAME RING TONGUE, ANTI-ROTATIONAL M4, #8 STUD SIZE		
TOLERANCES UNLESS OTHERWISE SPECIFIED:		APVD D DECKER 26JUN2007	PRODUCT SPEC		
<ul style="list-style-type: none"> <li>0 PLC ± -</li> <li>1 PLC ± -</li> <li>2 PLC ± -</li> <li>3 PLC ± 0.25 [.010]</li> <li>4 PLC ± -</li> <li>ANGLES ± 1°</li> </ul>		APPLICATION SPEC		RESTRICTED TO	
MATERIAL STAINLESS STEEL	FINISH NONE	WEIGHT -	SIZE A3	CAGE CODE 00779	DRAWING NO C-640051
CUSTOMER DRAWING			SCALE 5:1	SHEET 1 OF 1	REV D1