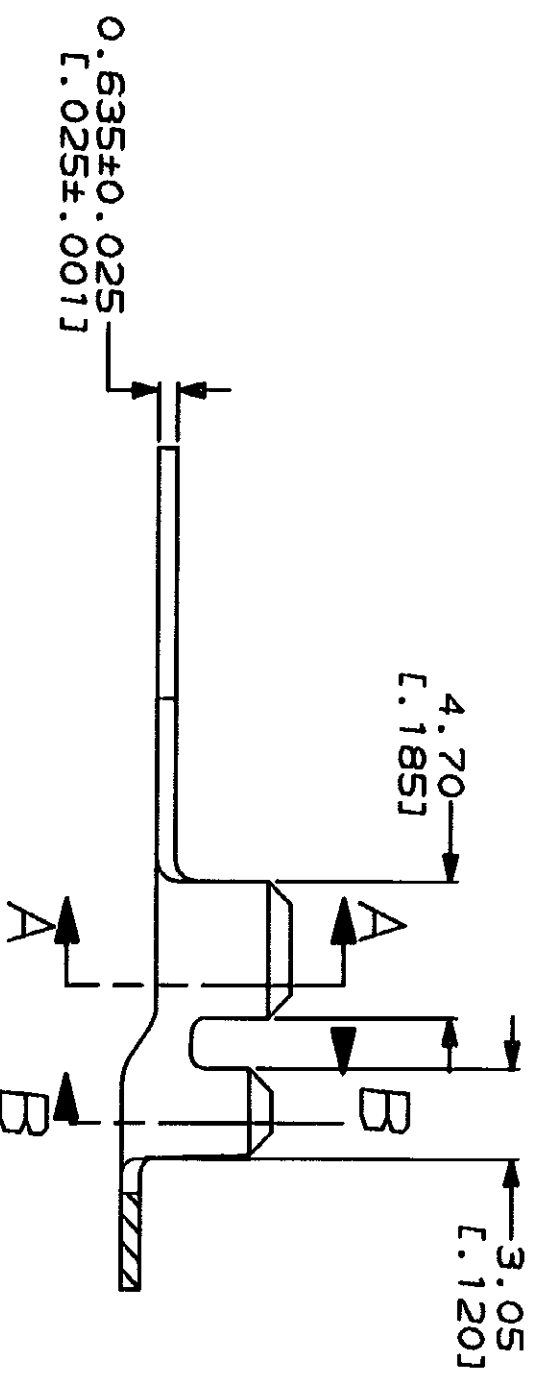
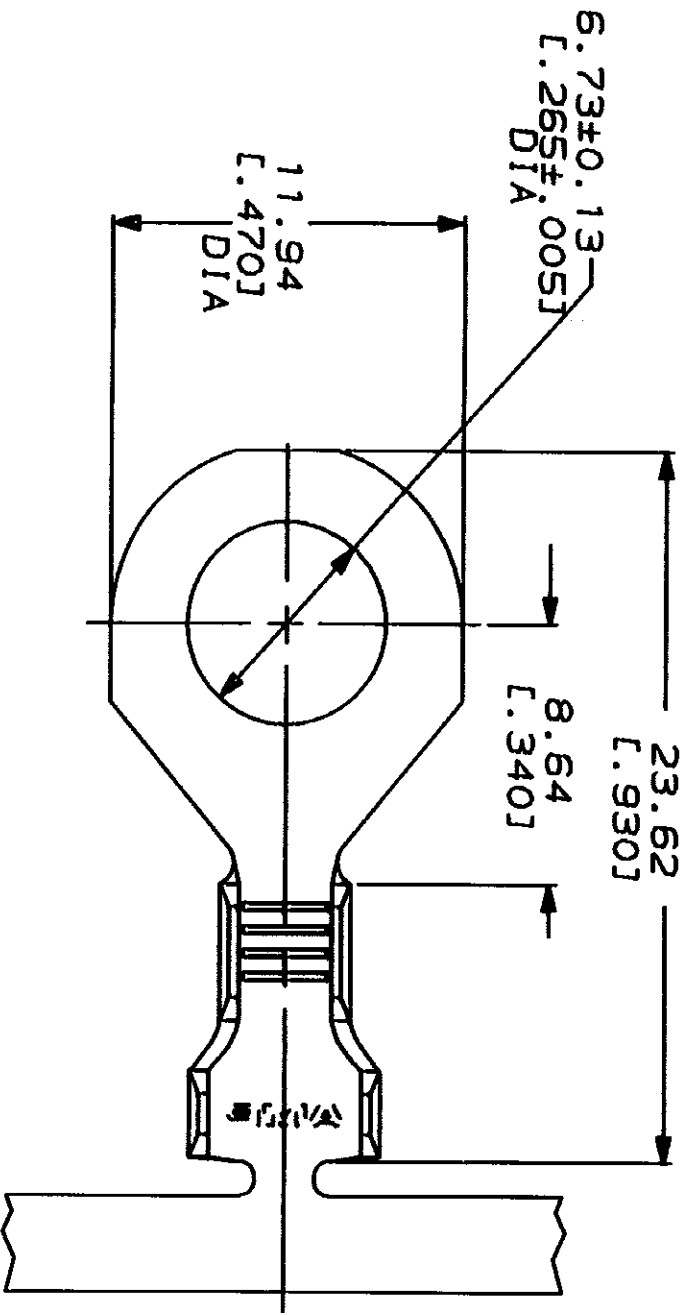


LOC	DIST	P	F	ZONE	LTR	REVISIONS	DESCRIPTION	DATE	APPRO
AF	50				C		REDRAWN PER 0054-94	2/17/94	PF/GY

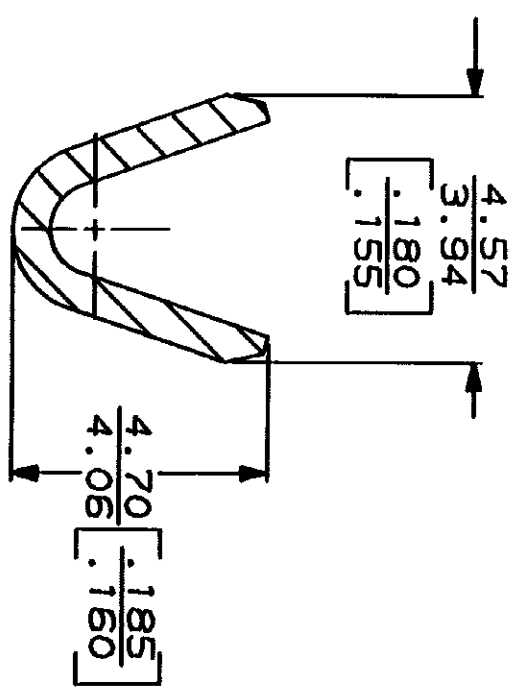
INSULATION RANGE	WIRE RANGE	PART NO
[18-14] AWG		485029-1

1 CONTINUOUS STRIP ON REEL.

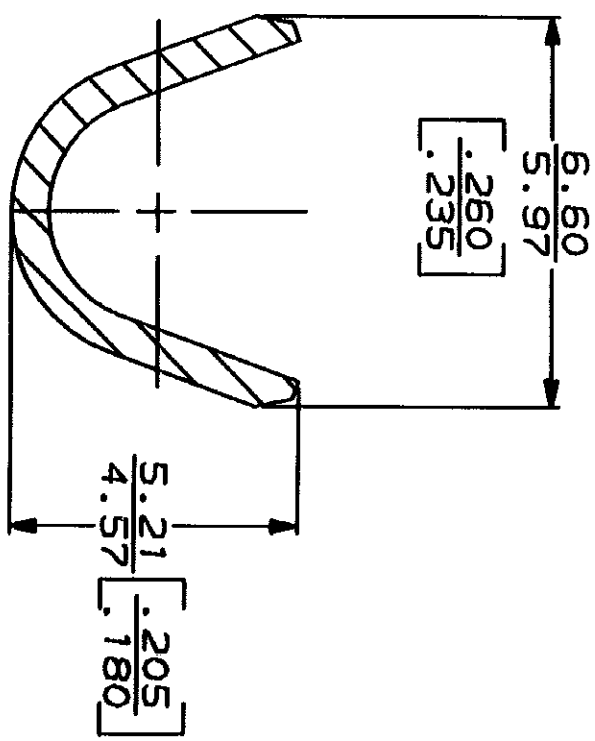
2 INSULATION RANGE: 2.16-3.05 [0.085-.120] F CRIMP
3.05-3.56 [0.120-.140] O CRIMP.



SECTION A-A
SCALE 8:1



SECTION B-B
SCALE 8:1



THIS DRAWING IS A CONTROLLED DOCUMENT FOR AMP INCORPORATED. IT IS SUBJECT TO CHANGE AND THE CONTROLLING ENGINEERING ORGANIZATION SHOULD BE CONTACTED FOR THE LATEST REVISION.

DO NOT SCALE PRINT. DIMENSIONS SPECIFIED IN MM (INCHES) TOLERANCES ON: 2 PLC DEC # 0.25 (.010) ANGLES # - MATERIAL 082 BRASS	DR 2/17/94 PHILIP H FORNEY	NAME AMP AMP Incorporated Harrisburg, PA 17105-3608
FINISH 0.002032 [0.00080] MIN TIN PL PER MIL-T-10727	CHK 2/17/94 JEFF BUSH	SIZE B
INSULATION RANGE	APPRO 2/17/94 GARY VETTER	CASE CODE 00779
	APPRO 2/17/94 RON ELDO	DRAWING NO 485029
	PRODUCT SPEC	RING
	APPLICATION SPEC	SCALE 4:1
WEIGHT -		SHEET 1 OF 1