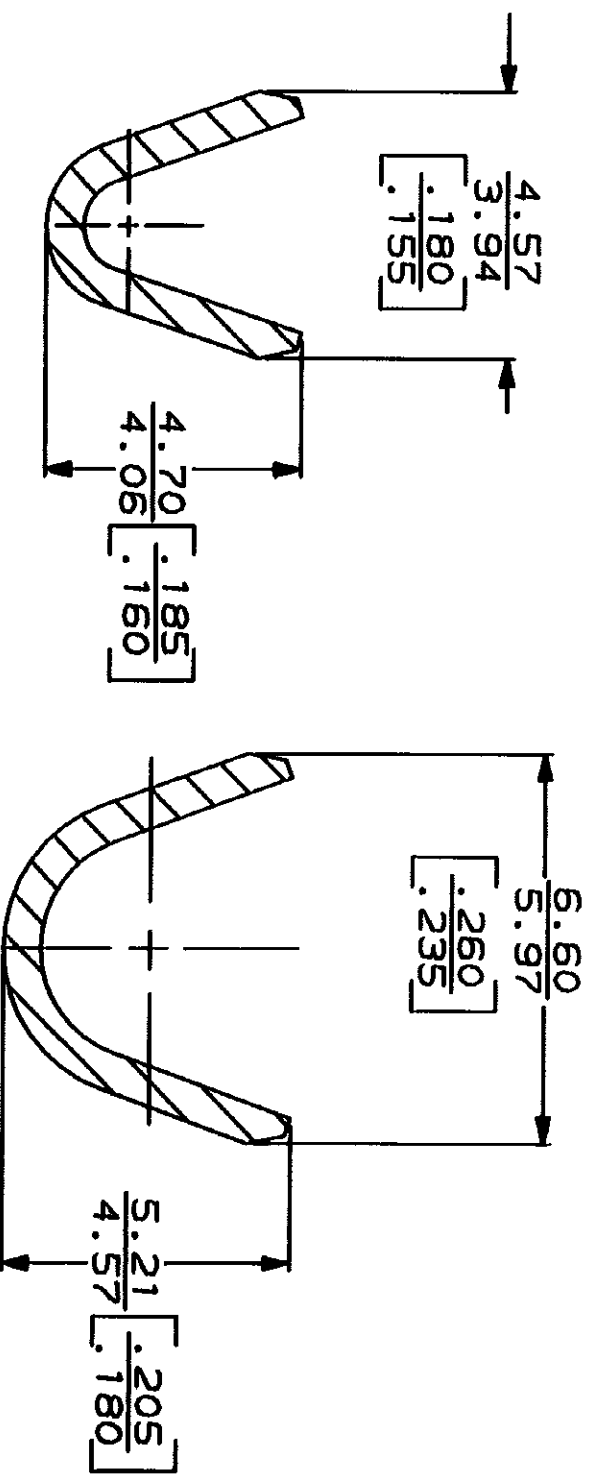
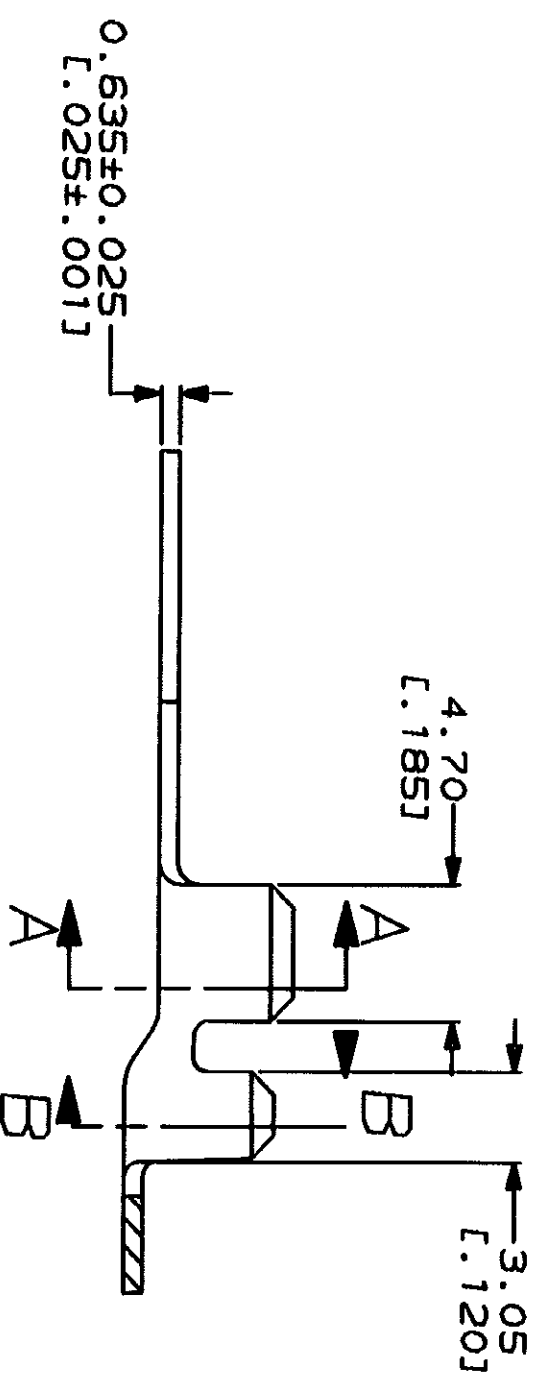
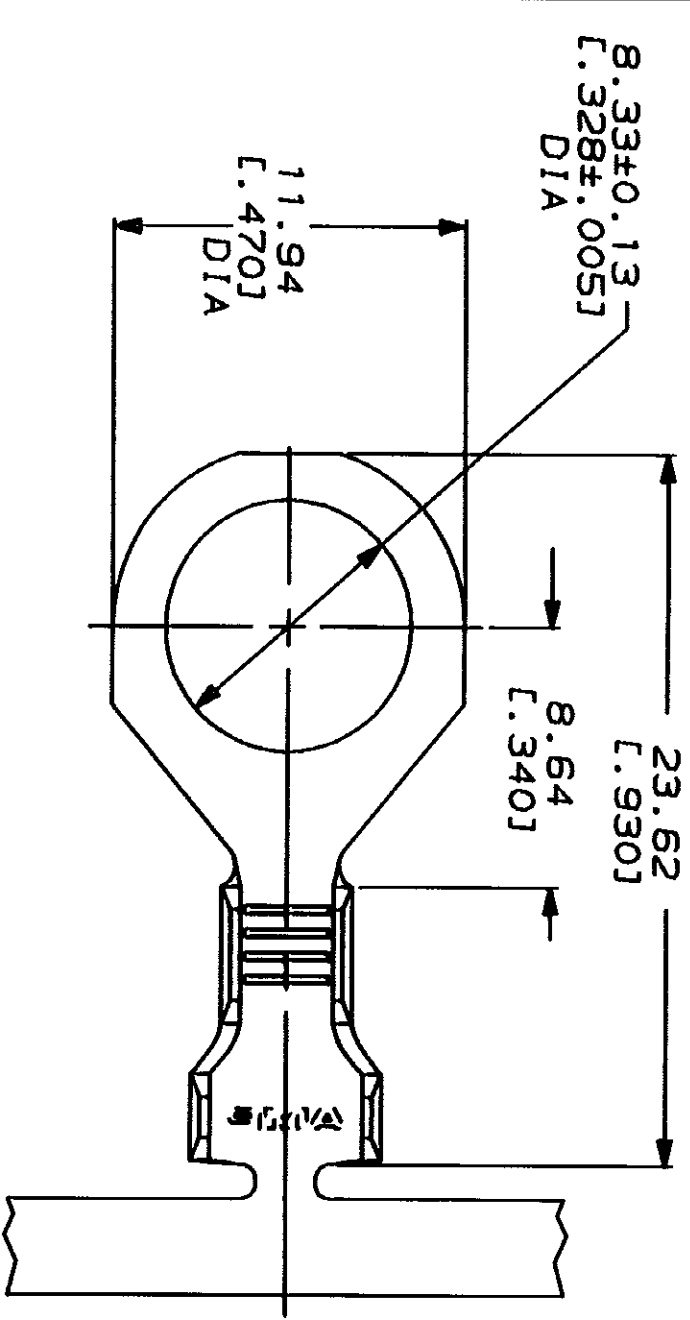


LOC	DIST	P	ZONE	LTR	REVISIONS	DATE	APPD
AF	50			C	REDRAWN PER 0054-94	2/17/94	PF/GY



- 1 CONTINUOUS STRIP ON REEL.
- 2 INSULATION RANGE: 2.16-3.05 [L.085-.120] F CRIMP  
 3.05-3.56 [L.120-.140] O CRIMP.

SECTION A-A  
SCALE 8:1

SECTION B-B  
SCALE 8:1

DO NOT SCALE PRINT. UNLESS SPECIFIED DIMENSIONS IN MM (INCHES) TOLERANCES ON: 2 PLG DEC ± 0.25 (L.010) 3 PLG DEC ± . . . ANGLES	DR 2/17/94 PHILIP M PORTNEY	INSULATION RANGE	WIRE RANGE	PART NO
MATERIAL 082 BRASS	CHK 2/17/94 EPP RHM	△	[18-14] AWG	485030-1
FINISH 0.002032 [L.000080] MIN TIN PL PER MIL-T-10727	APPD 2/17/94 GARY YETTER			
	APPD 2/17/94 RON KLEO			
	PRODUCT SPEC			
	APPLICATION SPEC			
	WEIGHT			
	NAME			
	AMP			
	AMP Incorporated Harrisburg, PA 17105-3608			
	RING			
	SIZE			
	CAGE CODE			
	00779			
	DRAWING NO			
	④-485030			
	SCALE			
	4:1			
	SHEET			
	1 OF 1			

THIS DRAWING IS A CONTROLLED DOCUMENT FOR AMP INCORPORATED. IT IS SUBJECT TO CHANGE AND THE CONTROLLING ENGINEERING ORGANIZATION SHOULD BE CONTACTED FOR THE LATEST REVISION.