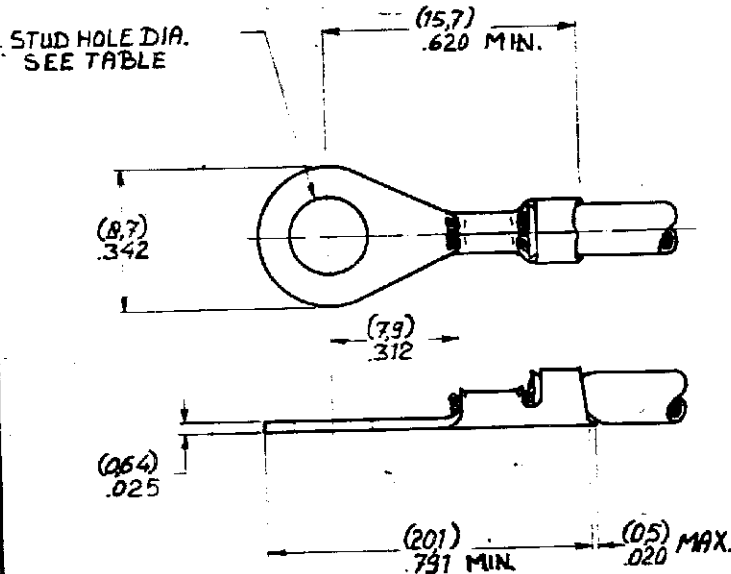


DRAWING NUMBER
C-160100-102

DRAWING MADE IN AMERICAN PROJECTION

LTR	REVISION RECORD	DWN	CHK	DATE
C1	ECO-09-026346	KK	AEG	27NOV09



⚠ OBSOLETE PARTS: OBSOLETE CIS STREAMLINING PER D.RENAUD/D.SINISI

160101-3	PH. BR	+	(43)	171	M4	*8
160102-4	BRASS	-				
160102-3	PL. BC	+				
160102-2		TIN	(52)		M5	
160102-1		#	207		*10	
160101-2	BRASS	TIN	(43)		M4	
160101-1		#	171		*8	
160100-2		TIN	(30)		M2.5	
160100-1		#	119		*4	

* FOR USE ON AMP O-METER

CUSTOMER COPY FOR REFERENCE ONLY

©1970 BY AMP HOLLAND N.V. ALL RIGHTS RESERVED. AMP PRODUCTS COVERED BY PATENTS AND OR PATENTS PENDING.

AMP

AMP HOLLAND N.V.
HERTOGENBOSCH
HOLLAND

WIRE RANGE: 20-16 AWC, 0.5-1.5 mm² 25-35 AWG, 2.0-3.0 DIA

FIRST USED

ORDER NO.	MATERIAL	PLATING	STUD DIA	FOR STUD	SCALE	LOC	SIZE	NO	REV
					N.T.S.	H	A	C-160100-102	C1
DATE	DATE	DATE	DATE	DATE	RING TONGUE WITH INS. SUPPORT				

DIMENSIONS IN (MM) DO NOT SCALE PRINT