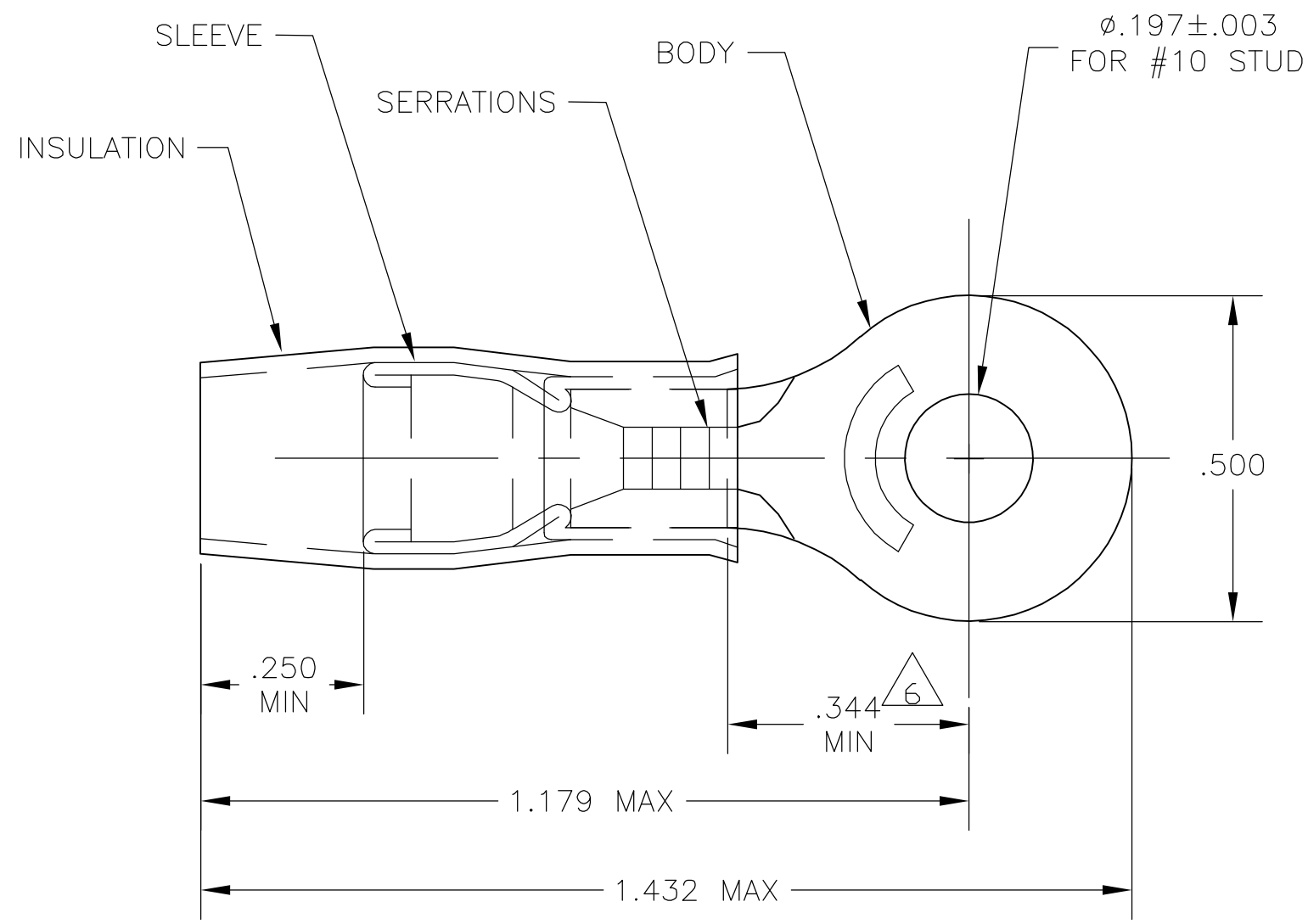


THIS DRAWING IS UNPUBLISHED. RELEASED FOR PUBLICATION
 © COPYRIGHT BY TYCO ELECTRONICS CORPORATION. ALL RIGHTS RESERVED.

LOC	DIST	REVISIONS					
		P	LTR	DESCRIPTION	DATE	DWN	APVD
G	14						
			C1	REV PER ECR 05-011037	14SEP05	JR	TM



- $\triangle 1$ STAMP AMP 12-10* APPROX AS SHOWN
- 2 WIRE INSULATION DIA: .150-.220
- 3 TONGUE MATERIAL THK: .040±.002
- $\triangle 4$ BODY & SLEEVE: TIN PLATE PER ASTM B545,
- $\triangle 5$ BODY & SLEEVE- CU PER ASTM B152
INSULATION - NYLON, COLOR - YELLOW
- $\triangle 6$ APPLIES FROM EDGE OF METAL WIRE BARREL TO CENTER OF STUD HOLE.

500	LOOSE PIECE	329389
QTY	PACKAGE TYPE	PART NO

AMP INCORPORATED CUSTOMER SERVICE SYSTEMS	
FOR ADDITIONAL PRODUCT INFORMATION OR COPIES OF DRAWINGS AND TECHNICAL DOCUMENTS	PRODUCT INFORMATION CENTER 1-800-522-6752
FOR APPLICATION TOOLING INFORMATION	TOOLING ASSISTANCE CENTER 1-800-722-1111
FOR ORDER ENTRY	1-800-526-5142

MAX RECOMMENDED OPERATING TEMPERATURE: 105°C MAX
VOLTAGE RATING: 600 MAX
CIRCULAR MIL AREA: 2.62-6.64mm ² [5,180-13,100] STRANDED

THIS DRAWING IS A CONTROLLED DOCUMENT.	
DIMENSIONS: INCHES	TOLERANCES UNLESS OTHERWISE SPECIFIED:
	0 PLC ± -
	1 PLC ± -
	2 PLC ± -
	3 PLC ± -
	4 PLC ± -
	ANGLES ± -
MATERIAL	FINISH
$\triangle 5$	$\triangle 4$

DWN	JR RUTH	14SEP05
CHK	T MICHIELUTTI	14SEP05
APVD	T MICHIELUTTI	14SEP05
PRODUCT SPEC	-	
APPLICATION SPEC	-	
WEIGHT	-	

tyco Electronics		Tyco Electronics Corporation Harrisburg, Pa 17105-3608	
NAME		TERMINAL, RING TONGUE, P.I.D.G. WIRE SIZE: 12-10 AWG	
SIZE	CAGE CODE	DRAWING NO	RESTRICTED TO
A3	00779	C-329389	-
CUSTOMER DRAWING		SCALE	SHEET
		4:1	1 OF 1
		REV	C1