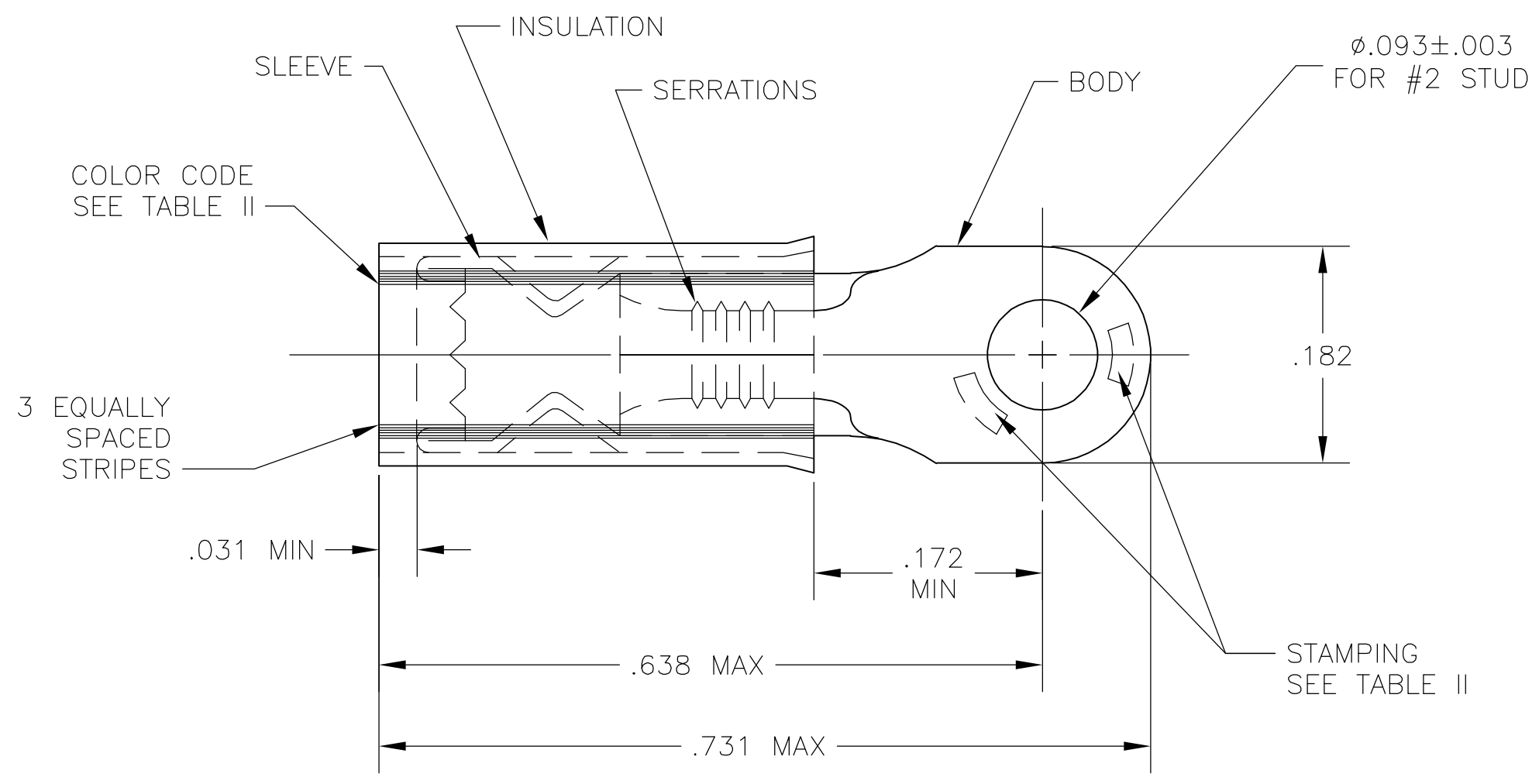


THIS DRAWING IS UNPUBLISHED. RELEASED FOR PUBLICATION  
 © COPYRIGHT BY TYCO ELECTRONICS CORPORATION. ALL RIGHTS RESERVED.

LOC	DIST	REVISIONS					
G	14	P	LTR	DESCRIPTION	DATE	DWN	APVD
			C1	REV PER ECR 07-003994	21FEB07	JR	TM



- 1 TONGUE MATERIAL THK IS .031±.002
- 2 FOR WIRE INS. DIA ( SEE TABLE II )

TABLE I

1	WIRE TERMINAL INSULATION RESTRICTING	SEE TABLE II	BODY & SLEEVE: COPPER PER ASTM PER B152 TIN PLATE PER ASTM B545  INSULATION: NYLON ( MIL-M-20693 ) TYPE I, COLOR - RED
QTY	DESCRIPTION	PART NO	MATERIAL & FINISH

TABLE II

52307-1	20	20	1	.046-.110	RED
52307	22	22	1/2	.038-.110	GREEN
PART NO	WIRE SIZE	WIRE STAMPING	SHIP	INS. DIA.	COLOR CODE

THIS DRAWING IS A CONTROLLED DOCUMENT.

DWN	jr_ruth	21FEB07	<b>tyco</b> <b>Electronics</b>	Tyco Electronics Corporation Harrisburg, PA 17105-3608		
CHK	T MICHIELUTTI	21FEB07		NAME		
APVD	T MICHIELUTTI	21FEB07	WIRE TERMINAL, P.I.D.G., RING TONGUE & INSULATION RESTRICTION WIRE SIZE 22-20			
DIMENSIONS: INCHES			TOLERANCES UNLESS OTHERWISE SPECIFIED:			
			0 PLC ± - 1 PLC ± - 2 PLC ± - 3 PLC ± .008 4 PLC ANGLES ± 5° FINISH -			
MATERIAL -			FINISH -			
PRODUCT SPEC -			APPLICATION SPEC -			
WEIGHT -			SIZE	CAGE CODE	DRAWING NO	RESTRICTED TO
CUSTOMER DRAWING			A3	00779	C-52307	-
SCALE			SHEET			REV
5:1			1 OF 1			C1