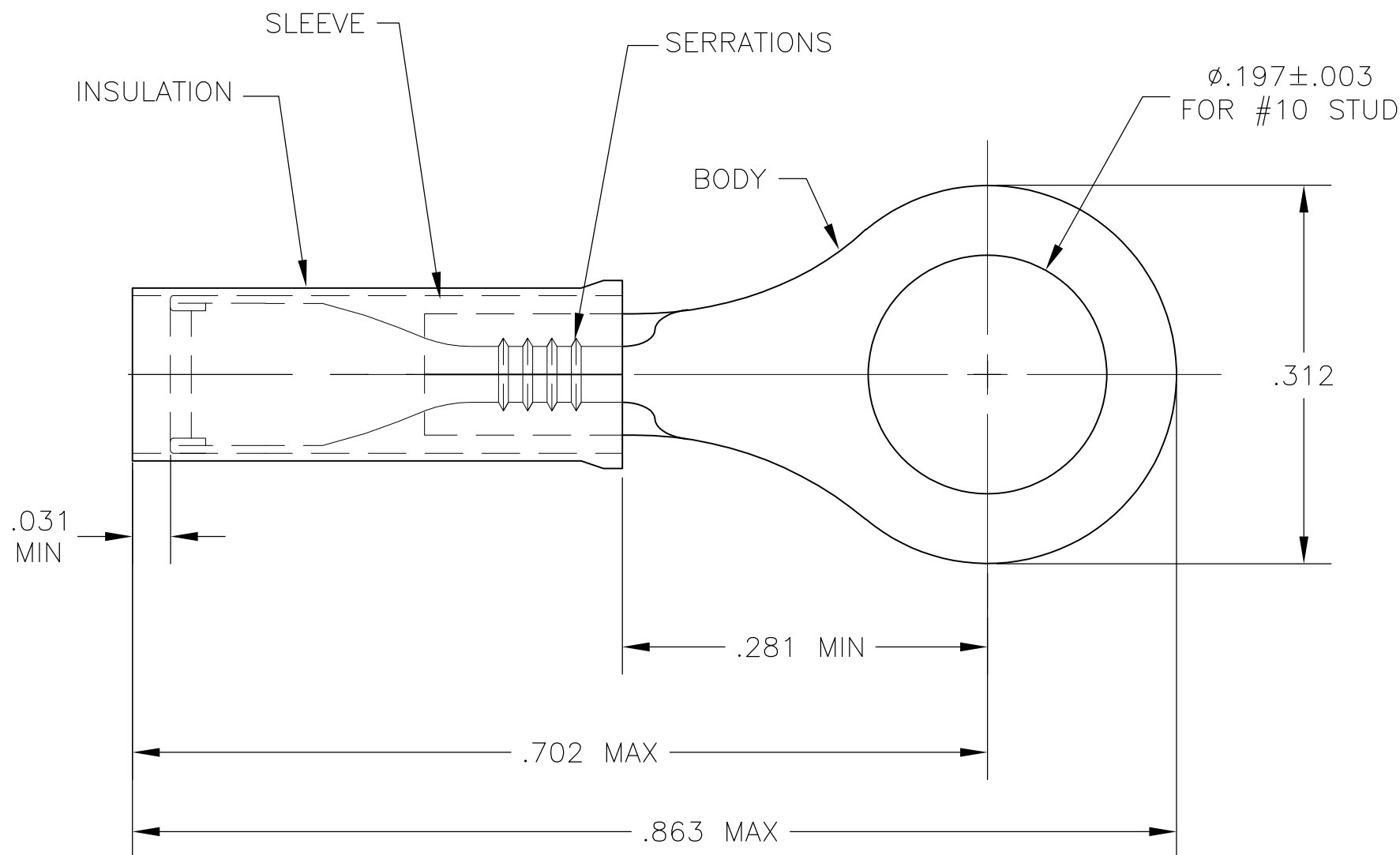


THIS DRAWING IS UNPUBLISHED. RELEASED FOR PUBLICATION  
© COPYRIGHT BY TYCO ELECTRONICS CORPORATION. ALL RIGHTS RESERVED.

LOC	DIST	REVISIONS					
G	14	P	LTR	DESCRIPTION	DATE	DWN	APVD
		C1		REV PER ECR 09-026074	30NOV09	JR	TM



- 1 TONGUE MATERIAL THK IS  $.027 \pm .001$
- 2 FOR  $.050$  TO  $.105$  WIRE INS. DIA.
- 3 MUST BE CRIMPED WITH 22-18 OR 22-16 PIDG (RED) TOOL.

4 MEETS MS25036-147, CLASS 1 & 2

5 MEETS MS25036-147, CLASS 2

2500	ON TAPE, REEL	5 54312-2	BODY: COPPER ASTM B152 TIN PL PER ASTM B545 SLEEVE: COPPER ASTM B152 TIN PL PER ASTM B545 INSULATION: NYLON, COLOR: YELLOW
1000	LOOSE PIECE	4 54312-1	
QTY	PACKAGE TYPE	PART NO	MATERIAL & FINISH

THIS DRAWING IS A CONTROLLED DOCUMENT.		DWN JR RUTH 27JAN04	Tyco Electronics Corporation Harrisburg, Pa 17105-3608	
DIMENSIONS: INCHES		CHK T MICHIELUTTI 27JAN04	NAME TERMINAL, NYLON PIDG, RING TONGUE; WIRE SIZE 26-24	
TOLERANCES UNLESS OTHERWISE SPECIFIED:		APVD T MICHIELUTTI 27JAN04	PRODUCT SPEC APPLICATION SPEC	
0 PLC ± -		WEIGHT -		
1 PLC ± -		SIZE A3		
2 PLC ± -		CAGE CODE 00779		
3 PLC ± .008		DRAWING NO C-54312		
4 PLC ± -		RESTRICTED TO -		
ANGLES ± 1°		SCALE 8:1		
MATERIAL SEE TABLE		SHEET 1 OF 1		
FINISH SEE TABLE		REV C1		
CUSTOMER DRAWING				