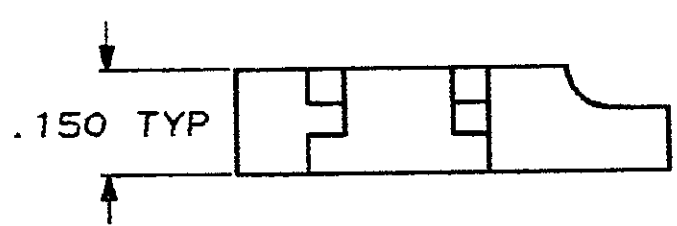
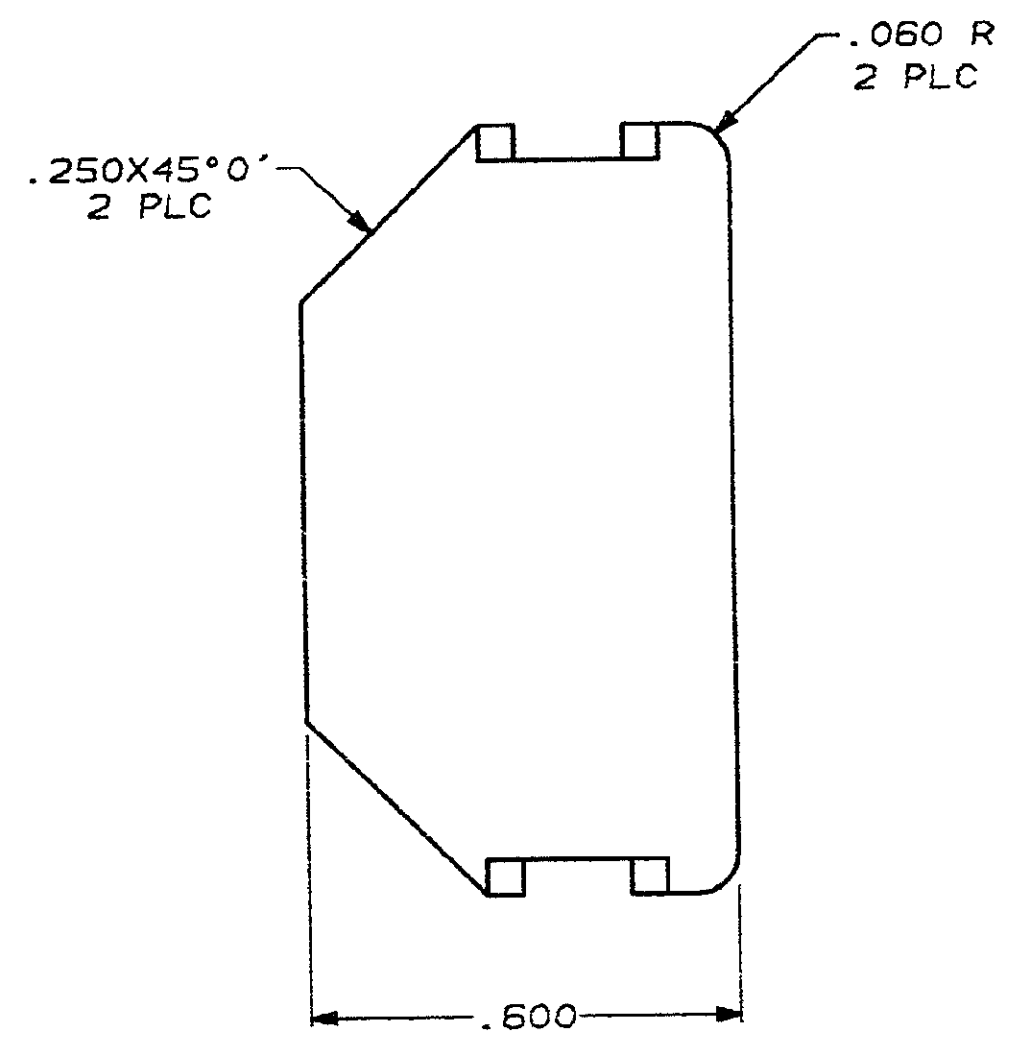
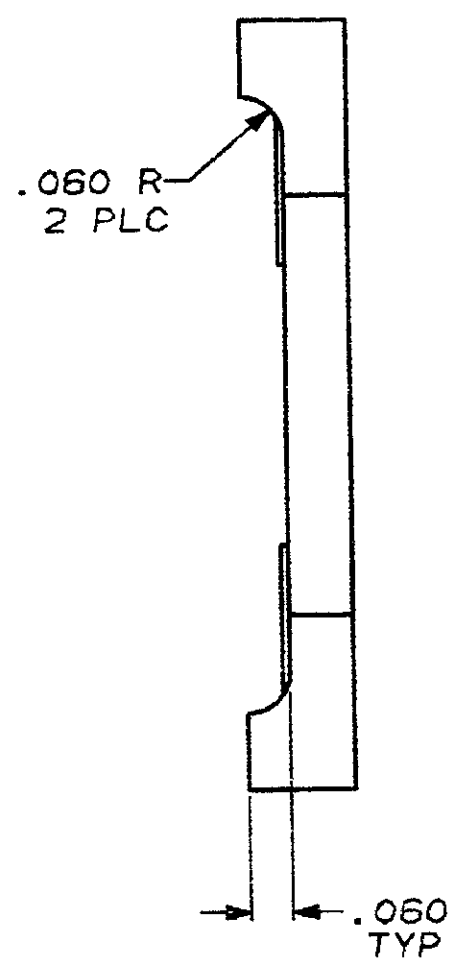
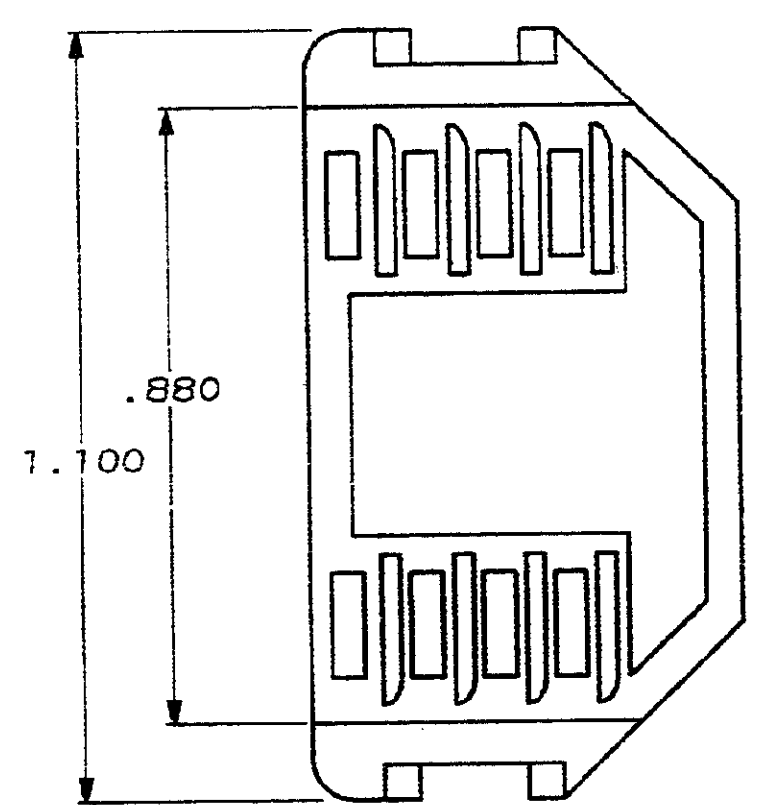


DRAWING MADE IN THIRD ANGLE PROJECTION
 THIS DRAWING IS UNPUBLISHED. RELEASED FOR PUBLICATION
 © COPYRIGHT 19 BY AMP INCORPORATED. ALL INTERNATIONAL RIGHTS RESERVED.

MOD	LOC	DIST	P	F	ZONE	LTR	DESCRIPTION	DATE	APPD
13	BD	50				0	RELEASED PER NPR 2420, WAS 89-1014-3	5-24-89	-
						A	REV PER ECN BD4377	10/12/90	-



943061-1
PART NO

DO NOT SCALE PRINT. UNLESS SPECIFIED DIMENSIONS IN INCHES TOLERANCES ON : 2 PLC DEC ± - 3 PLC DEC ± .005 ANGLES ± 0°30'	DR 5-24-89 W.G.LENKER	AMP AMP INCORPORATED Harrisburg, Pa. 17105		
	CHK 6-2-89 R.STONE			
	MATERIAL NYLON, BEIGE	APPD 6-5-89 R.W.MYERS	NAME CABLE CLAMP, BOTTOM, 16 CONDUCTOR, FLAT CABLE, SDL	
	FINISH -	APPD 6-7-89 D.SUMMERS		
	PRODUCT SPEC -	SIZE C	FSCM NO 00779	DRAWING NO 943061
	APPLICATION SPEC -	SCALE 4:1	SHEET 1 OF 1	
	WEIGHT -			

CUSTOMER DRAWING