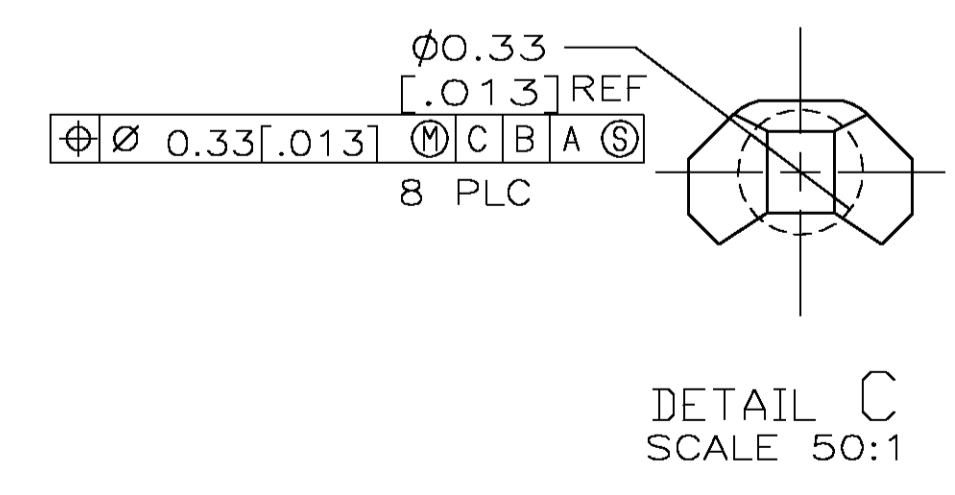
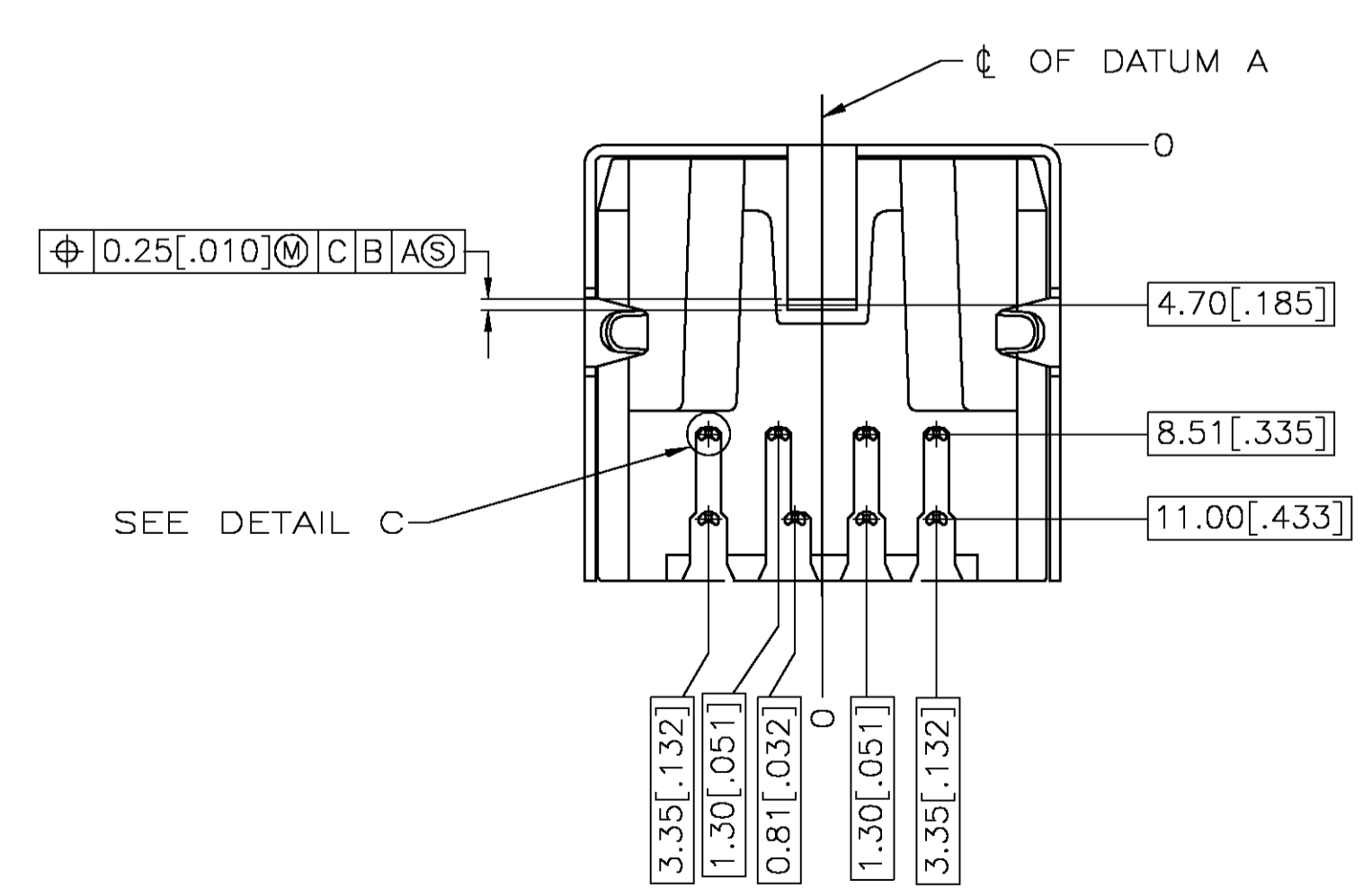
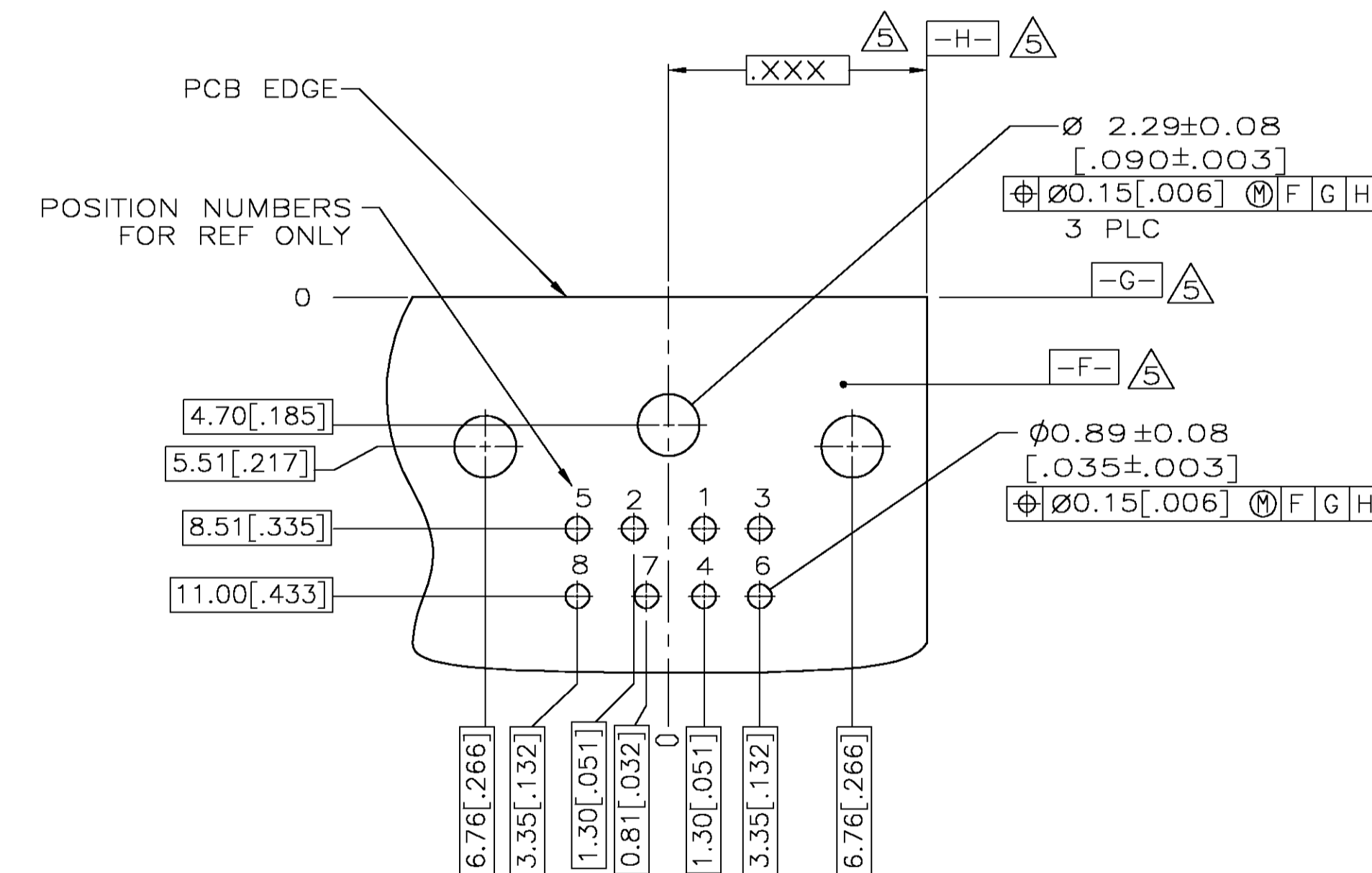
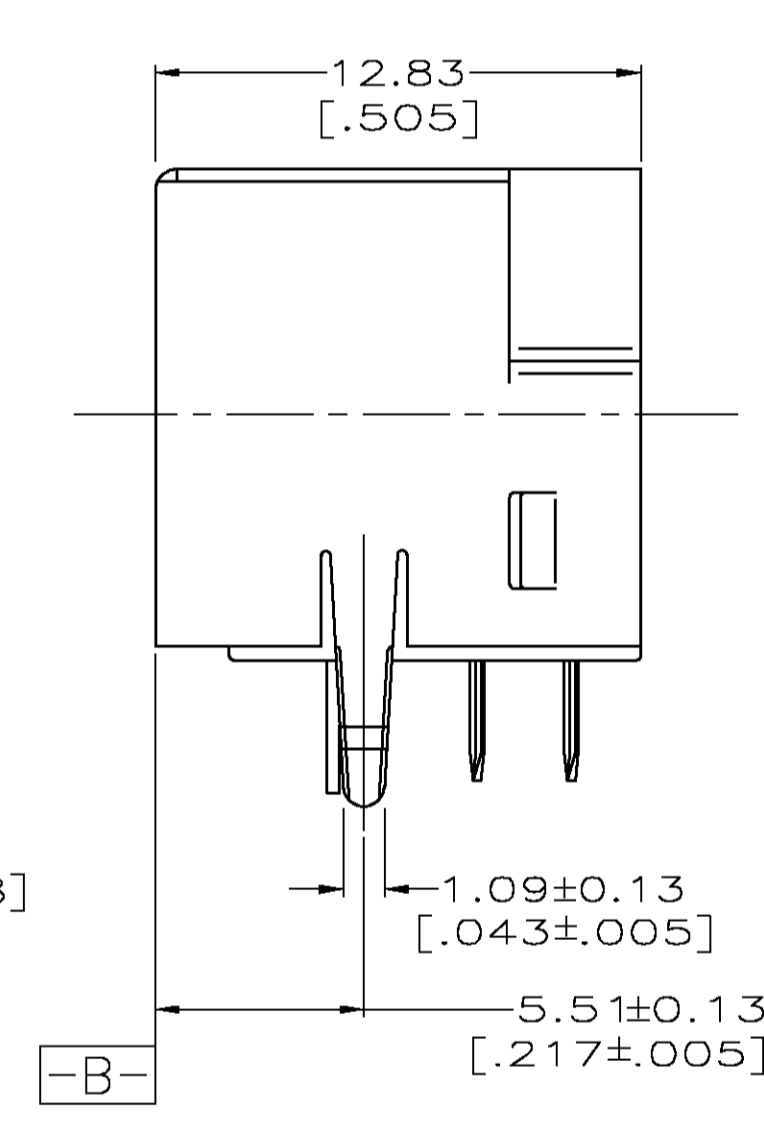
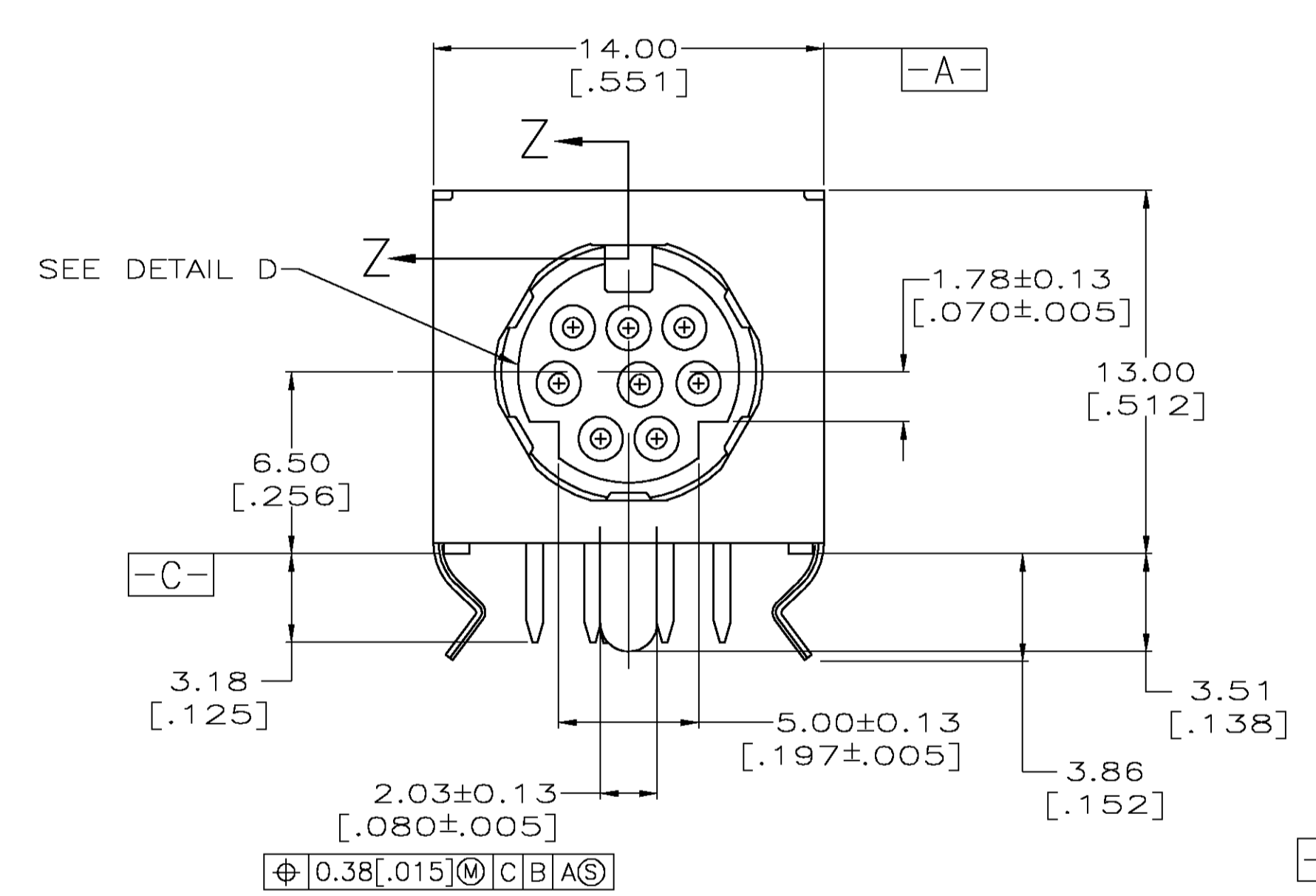


- △ RECEPTACLE CONTACTS: COPPER ALLOY.
 RECEPTACLE SHIELD: COPPER ALLOY.
 HOUSING: LCP, COLOR; BLACK, UL 94V-0 RATED.
- △ PLATING:
 RECEPTACLE CONTACTS - GOLD PLATED 0.00076 [.000030] MIN ON MATING END, TIN PLATED 0.0030 [.000120] MIN ON SOLDER TAIL, ALL OVER 0.0013 [.000050] MIN NICKEL.
- △ PLATING:
 SHIELD: 0.0015-0.004 [.000059-.000158] BRIGHT TIN.
- 4. RECEPTACLE ASSEMBLY MATES WITH 8 PIN 9.00± 0.10 [.354±.004] DIAMETER PLUG.
- △ DATUMS AND BASIC DIMENSION DETERMINED BY CUSTOMER.



1658998-1
 PART NUMBER

THIS DRAWING IS A CONTROLLED DOCUMENT.		DWG B. MCMASTER	13FEB2004	Tyco Electronics Corporation Harrisburg, Pa 17105-3608
DIMENSIONS: mm [INCHES]		CHK C. ROHDE	13FEB04	
TOLERANCES UNLESS OTHERWISE SPECIFIED:		APPD M. WALMSLEY	13FEB04	NAME RECEPTACLE ASSY W/HOLD DOWN, 8 POS RIGHT ANGLE, MINIATURE CIRCULAR DIN
0 PLC ± -	1 PLC ± -	PRODUCT SPEC 108-1225		SIZE A1
2 PLC ± -	3 PLC ± 0.38 [.015]	APPLICATION SPEC		WEIGHT -
4 PLC ± -	ANGLES ± 0.30°	MATERIAL 1		FINISH 2, 3
CUSTOMER DRAWING		SCALE 5:1		SHEET 1 OF 1
		DRAWING NO 00779C=1658998		REV Q