

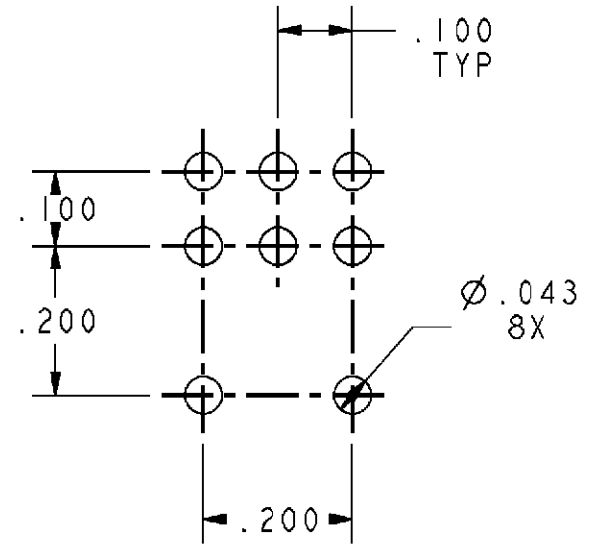
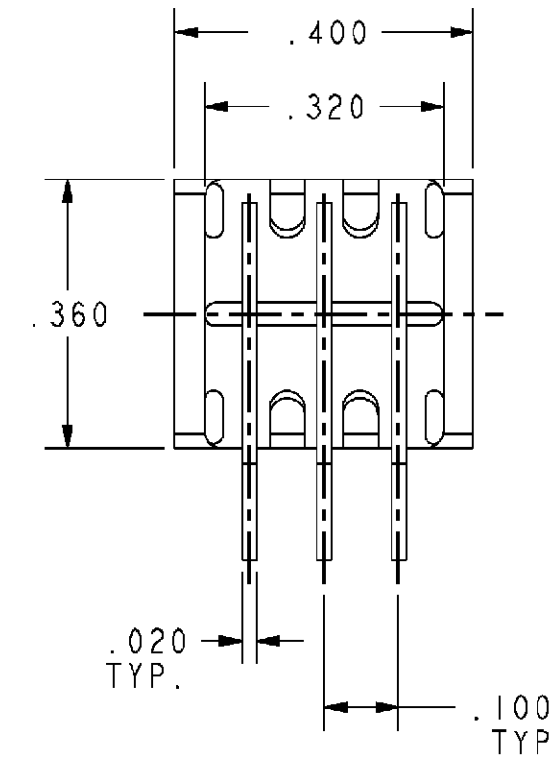
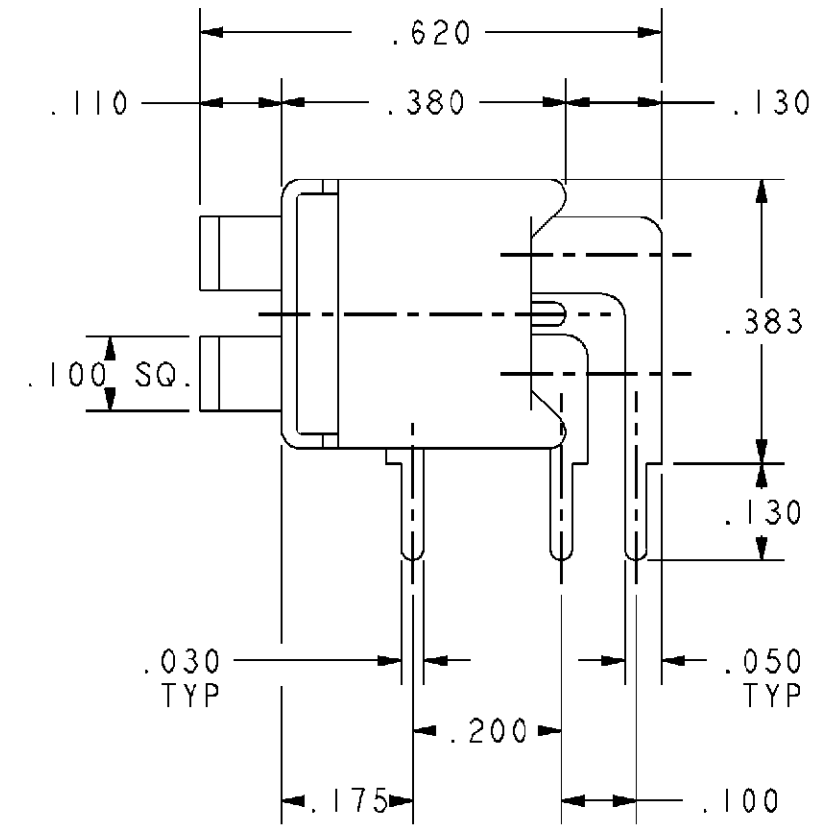
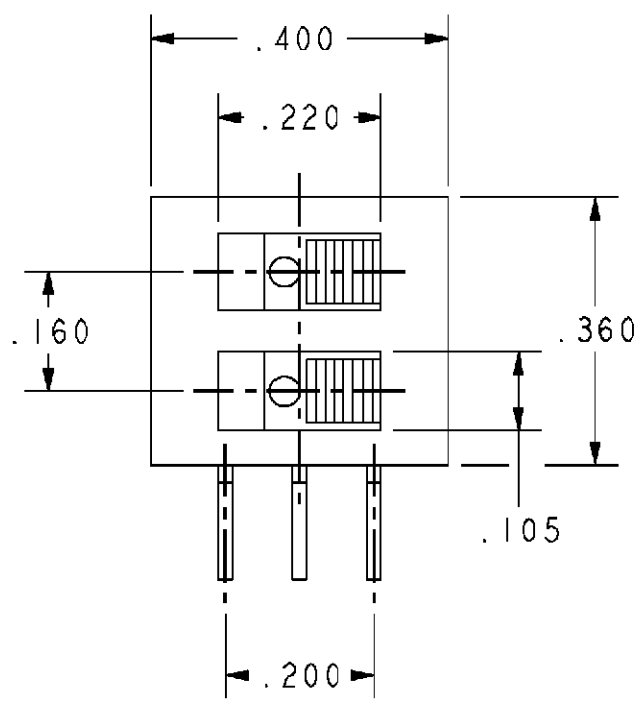
4

3

2

1

CONVERSION CHART	
INCH	MM
.020	0,50
.030	0,76
.043	1,09
.050	1,27
.100	2,54
.105	2,66
.110	2,79
.130	3,30
.160	4,06
.175	4,44
.200	5,08
.220	5,58
.320	8,12
.360	9,14
.380	9,65
.383	9,72
.400	10,16
.620	15,74



RECOMMENDED HOLE LAYOUT
TOLERANCES ±.002 UNLESS OTHERWISE NOTED

SPECIFICATIONS:

MATERIALS:

CASE: HIGH TEMPERATURE POLYESTER, 94V-0
 ACTUATOR: POLYESTER, 94V-0.
 MOVING CONTACT: COPPER, GOLD PLATE OVER NICKEL.
 FIXED CONTACT/TERMINAL: COPPER, GOLD PLATE OVER NICKEL.

ELECTRICAL:

CONTACT RATING: 0.4 VA MAX. @ 20 VDC OR PEAK AC.
 INITIAL CONTACT RESISTANCE: 20 MILLIOHMS MAX. @
 INSULATION RESISTANCE: 1,000 MΩ MIN. AT 500 VDC.
 DIELECTRIC STRENGTH: 1,000 VOLTS RMS AT SEA LEVEL.
 LIFE: 60,000 - 80,000 CYCLES.

MECHANICAL:

ACTUATION TRAVEL: .120"

ENVIRONMENTAL:

OPERATING TEMPERATURE: -4°F TO +176°F (-20°C TO +80°F).
 STORAGE TEMPERATURE: -4°F TO +176°F (-20°C TO +80°F).

NOTES:

1. INTERPRET DRAWING PER ASME Y14.5M-1994.

MODEL	TYPE	SWITCH ACTION CODE *			
TSD21DDG-RA	2X SPDT	D	ON 2-3	NONE	ON 2-3
TSD21EEG-RA	2X SPDT	E	ON 2-3	OFF	ON 2-3

AUGAT D/N 40148-SD

SPECIFICATIONS ARE SUBJECT TO CHANGES WITHOUT NOTICE

REV A OG3C-0173-02	CAD080992C	THIRD ANGLE PROJECTION	UNLESS OTHERWISE SPECIFIED DIMENSIONS ARE IN MM DO NOT SCALE PRINT		ORIGINAL DATE OF DRAWING: 9-13-96		TYCO ELECTRONICS	
			TOLERANCES (EXCEPT AS NOTED) ANGULAR = DECIMAL .XX = DECIMAL .XXX = ±.010 DECIMAL .XXXX =	FILE NAME: DIRECTORY:	DRAWN: TRU-D	DATE: 9-13-96	TITLE: CUSTOMER DRAWING SLIDE SWITCH DUAL RA	
			MATERIAL: SEE SPECIFICATIONS		CHECKED:	DATE:	DWG. NO. 1437579-6	
			FINISH:		APPROVED:	DATE:	REV. A	
AUGAT CONFIDENTIAL This document contains information which is the exclusive property of Augat Inc. Distribution, reproduction or use by others is not permitted without the expressed written consent of Augat Inc.		CODE IDENT. NO. 91506	DWG. SIZE C	PRODUCT CODE: C51		SCALE: 4:1 SHEET 1 OF 1		
		NEXT ASSY:						

4

3

2

1

A

A

D

D

C

C

B

B