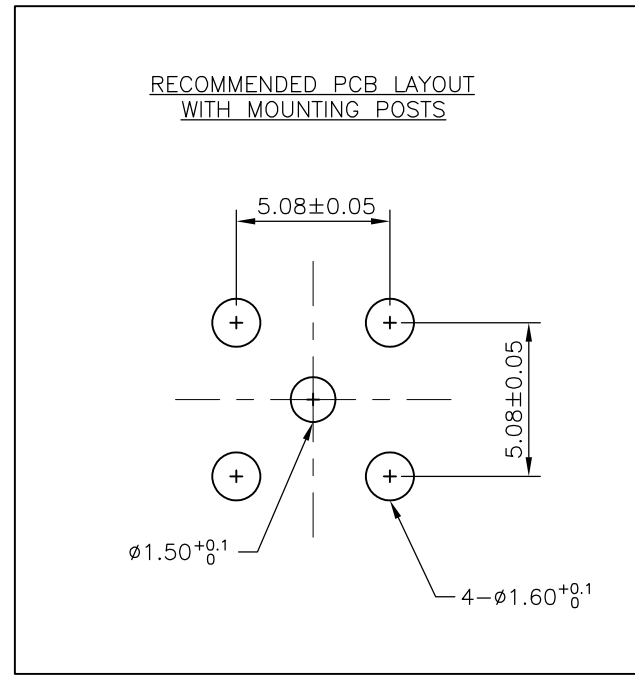
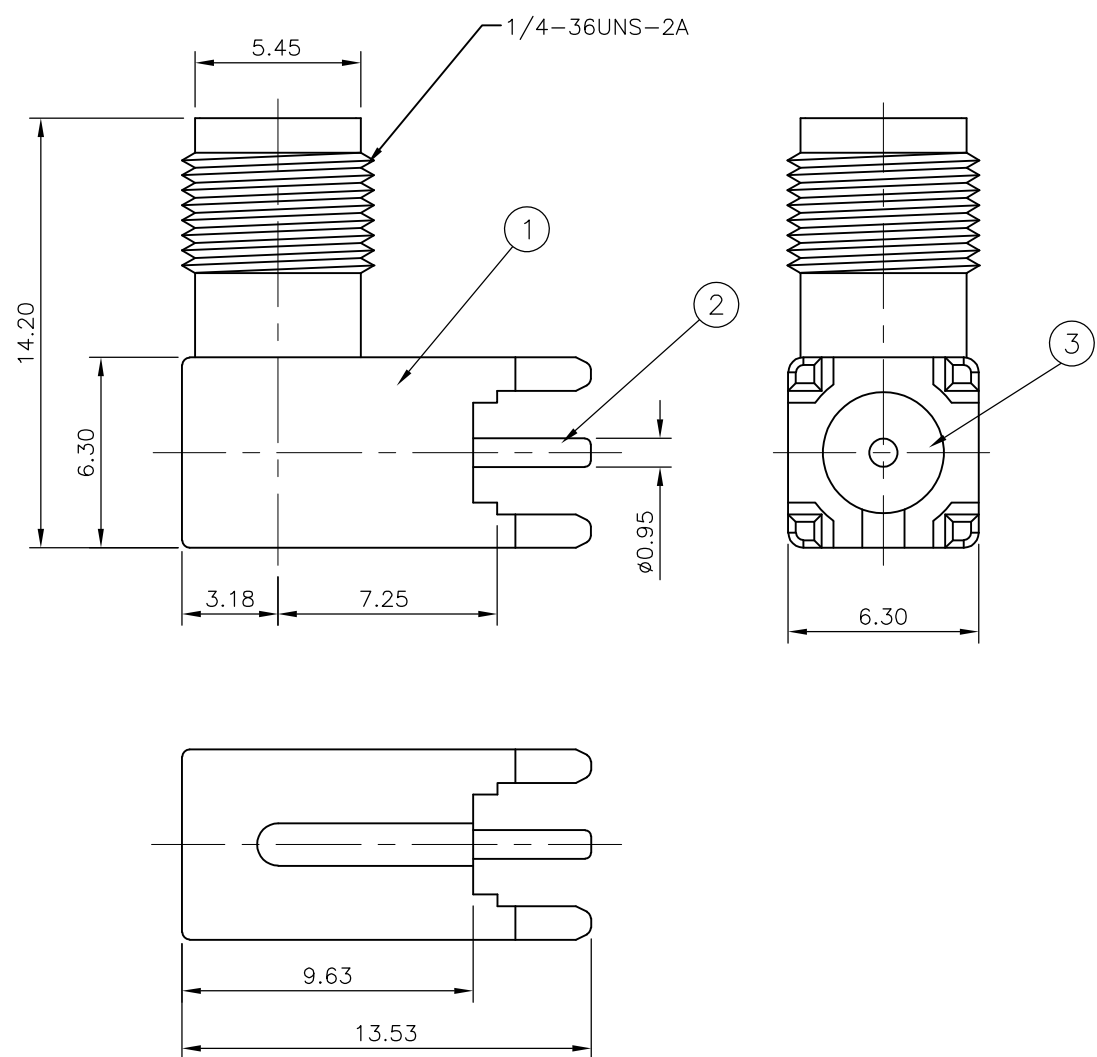


THIS DRAWING IS UNPUBLISHED. RELEASED FOR PUBLICATION JUNE ,2004.
 © COPYRIGHT 2004 BY TYCO ELECTRONICS CORPORATION. ALL RIGHTS RESERVED.

LOC E	DIST B	REVISIONS			
P	LTR	DESCRIPTION	DATE	DWN	APVD
	C	REVISED PER ECO-09-003420	17MAR09	ANS	BOB

- NOTES**
- 1 SINGLE PACK IN ACCORDANCE WITH AMP SPEC 107-3275
 - 2 100 TRAY PACK IN ACCORDANCE WITH AMP SPEC 107-3275
 - 3 Au PLATING
 - 4. FOR TECHNICAL DATA REFER TO YOUR LOCAL TYCO ELECTRONICS SALES OFFICE
 - 5. ALL DIMENSIONS ARE NOMINAL FOR REFERENCE ONLY UNLESS OTHERWISE STATED



						1	1	PTFE	INSULATOR	3	
						1	1	BERYLLIUM COPPER	CONTACT	2	
						1	1	ZINC ALLOY	BODY	1	
						5	15		MATERIAL	DESCRIPTION	ITEM
QUANTITY PER ASSY						PARTS LIST					

THIS DRAWING IS A CONTROLLED DOCUMENT.		DWN ANSON MA 17MAR09	Tyco Electronics Corporation Kunshan, Jiangsu, PRC215312				
DIMENSIONS: mm		CHK RITA ZUO 17MAR09	NAME SMA RIGHT ANGLE PCB SOCKET DIE CAST				
TOLERANCES UNLESS OTHERWISE SPECIFIED:		APVD BOB ZHAO 17MAR09	PRODUCT SPEC 108-112000				
MATERIAL SEE TABLE		FINISH -	WEIGHT -	SIZE A3	CAGE CODE 00779	DRAWING NO C-1814400	RESTRICTED TO -
CUSTOMER DRAWING			SCALE NTS	SHEET 1 OF 1	REV C		