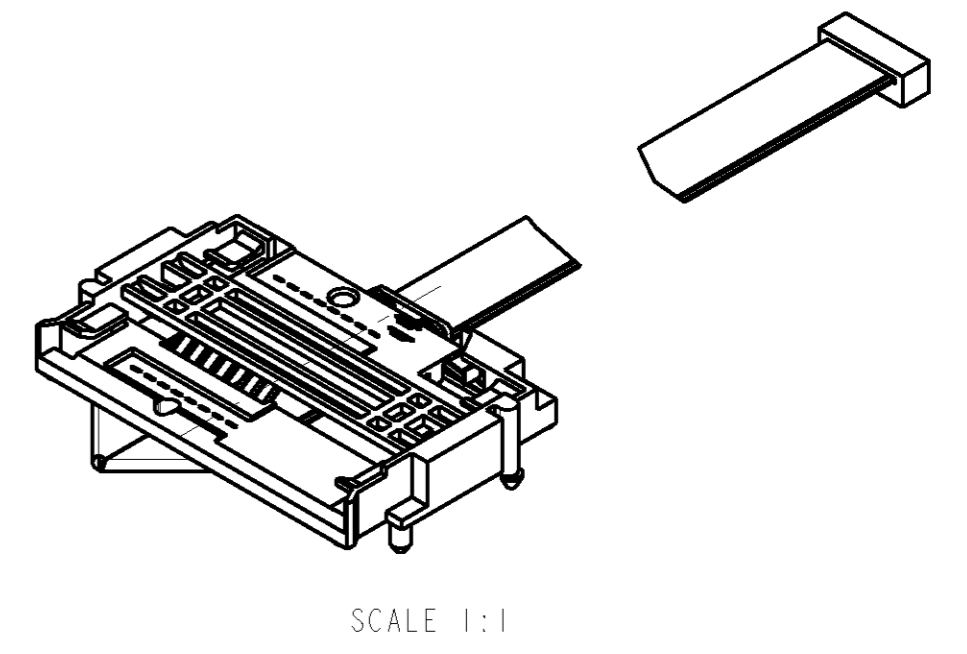
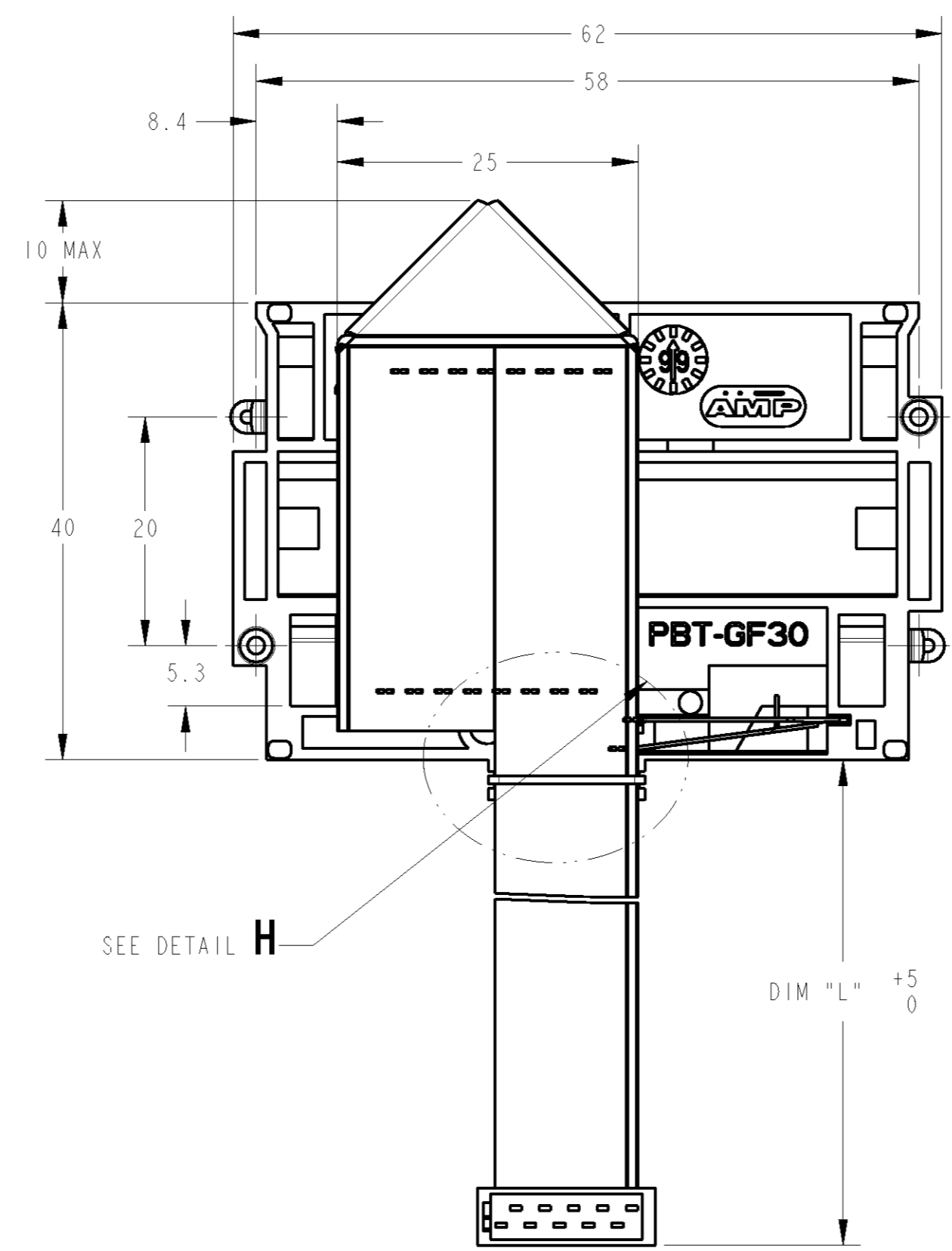
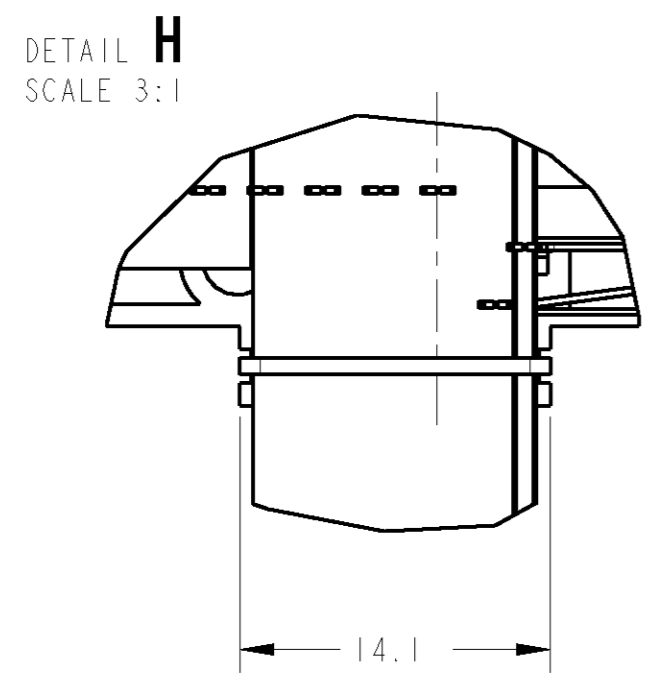
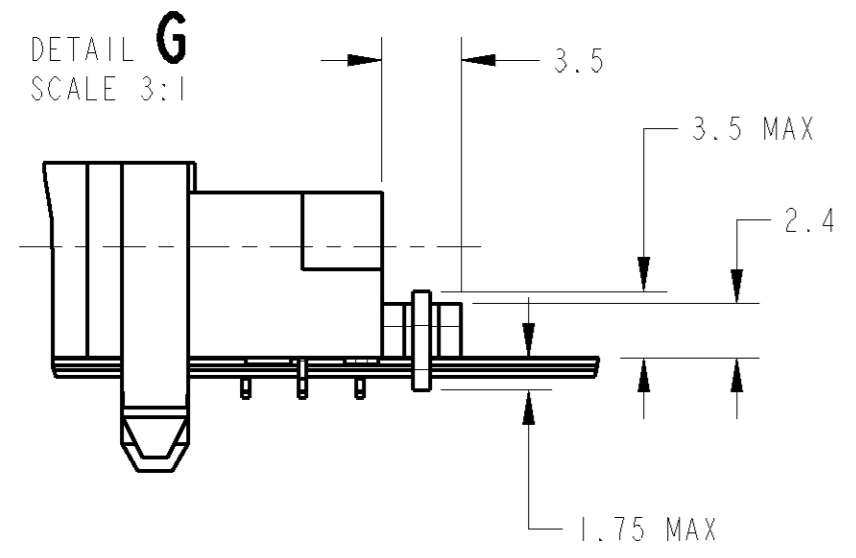
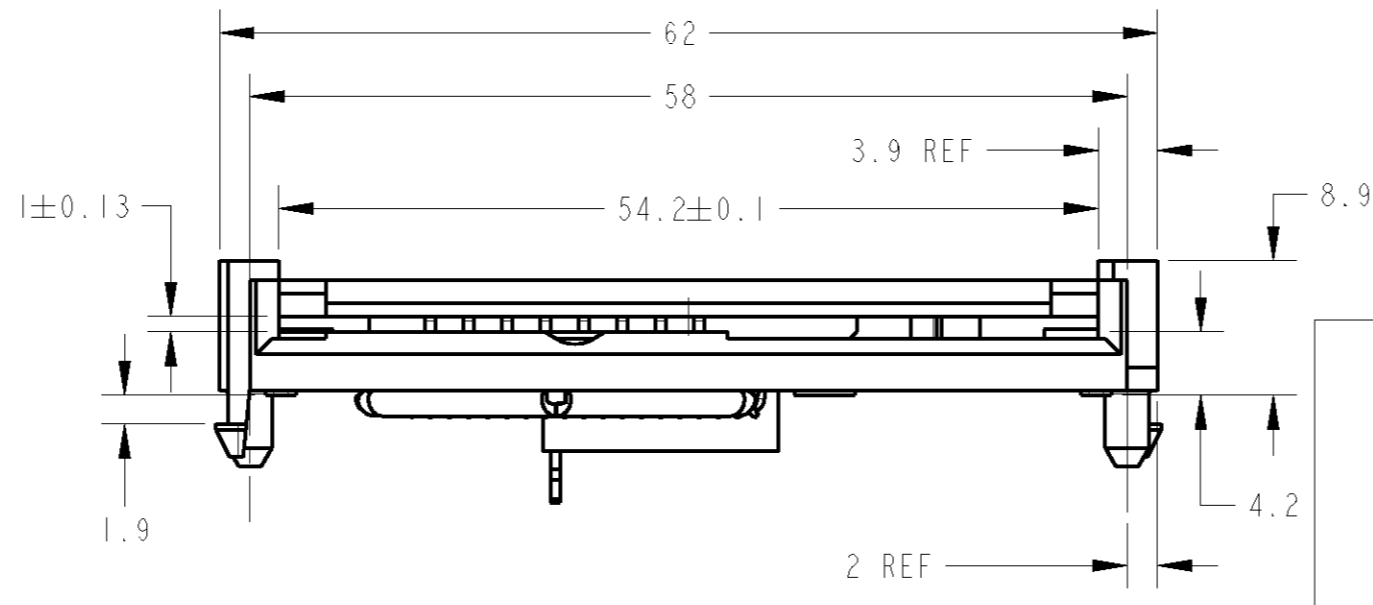
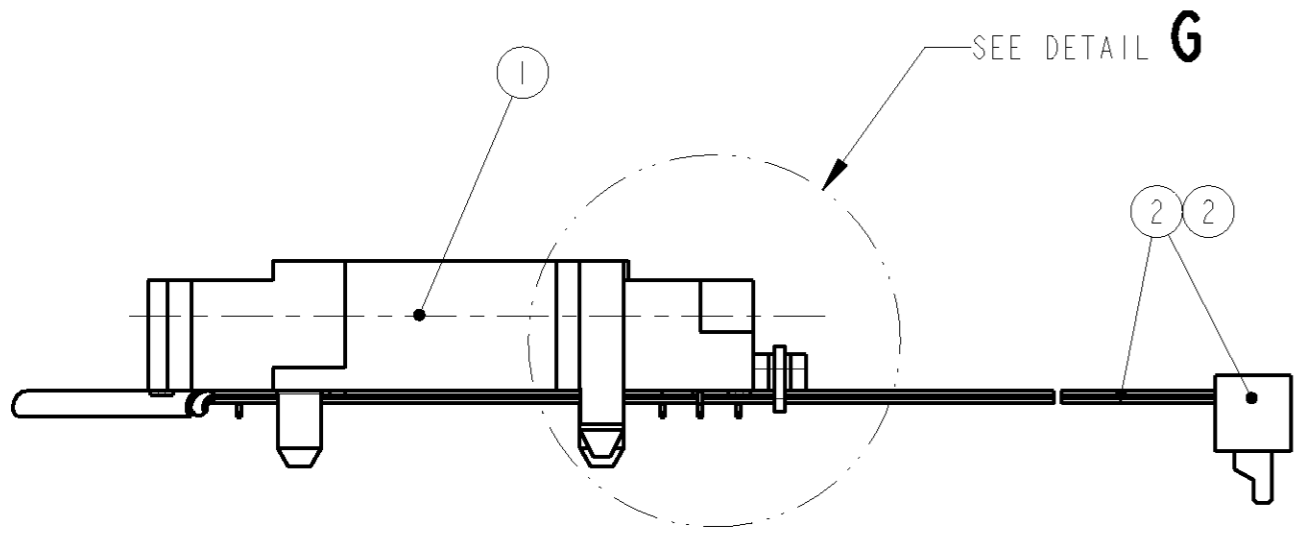


THIS DRAWING IS UNPUBLISHED. RELEASED FOR PUBLICATION
 © COPYRIGHT - BY TYCO ELECTRONICS CORPORATION. ALL RIGHTS RESERVED.

LOC		DIST		REVISIONS			
P	LTR	DESCRIPTION	DATE	DWN	APVD		
	A	EH10-0478-04	29NOV2004	RC	PJ		



- ▲ SMART CARD READER : PBT G-F, BLACK, UL 94V0
SIGNAL AND SWITCH CONTACTS : PHOSPHOR BRONZE.
- ▲ ALL CONTACTS : 0.00076 GOLD ON MATING AREAS,
0.0025 TIN (LEADFREE/MATTE) ON IDC,
ALL OVER 0.001 NICKEL.
- 3 UL STYLE 2651 RIBBON CABLE PVC AND,
10 POSITIONS MICRO-MATCH CONNECTOR;
TO BE MATED WITH
1-215079-0 THROUGH HOLE VERSION OR 1-188275-0 SMT VERSION.
- 4 AMP SMART CARD RECEPTACLE DESIGNED TO ACCEPT ISO 7810-7816 TYPE
INTEGRATED CIRCUIT SMART CARDS (0.76mm REF. THICKNESS)

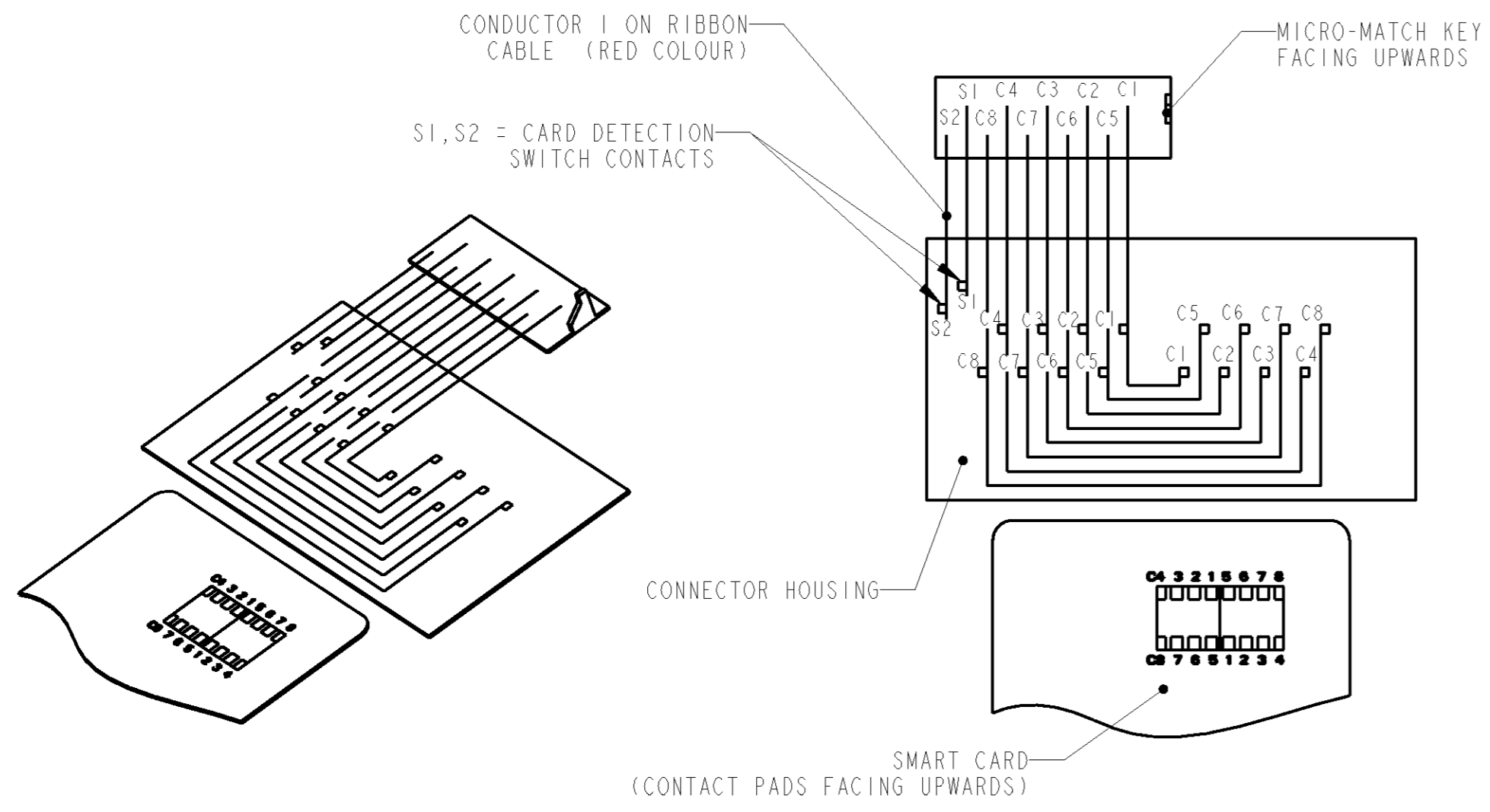


QTY PER ASS'Y	DESCRIPTION	ITEM
1	RIBBON CABLE ASS'Y, L = 340mm	2
-	RIBBON CABLE ASS'Y, L = 235mm	2
-	RIBBON CABLE ASS'Y, L = 180mm	2
1	SMART CARD READER ASS'Y : 16 POS.	1
-3 -2 -1	ASS'Y P/N 5953616	DESCRIPTION

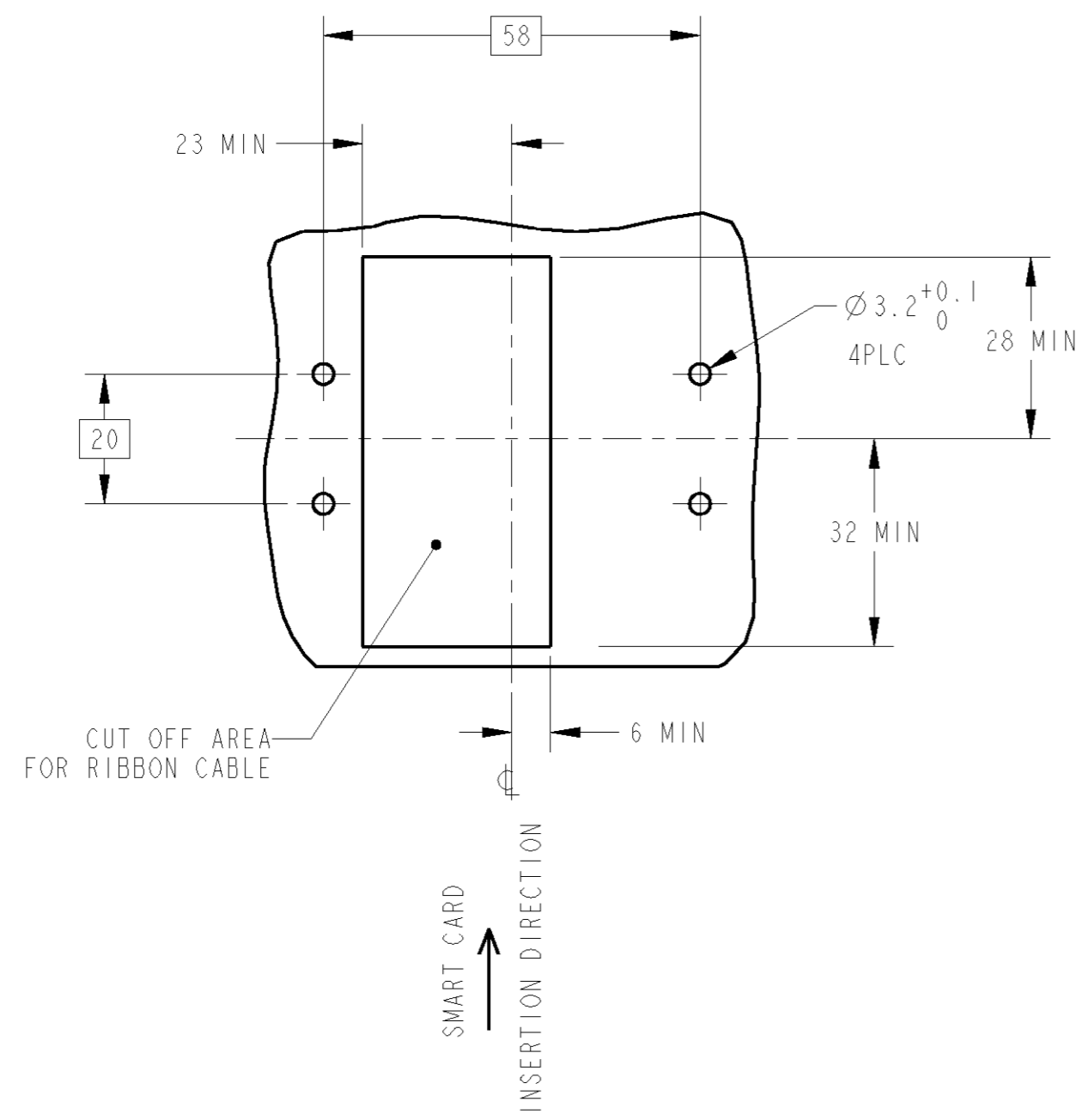
THIS DRAWING IS A CONTROLLED DOCUMENT FOR TYCO ELECTRONICS CORPORATION IT IS SUBJECT TO CHANGE AND THE CONTROLLING ENGINEERING ORGANIZATION SHOULD BE CONTACTED FOR THE LATEST REVISION.		DWN R. Coolen 29-Nov-04 CHK W. Jansen APVD P. Jaeger	tyco Electronics TYCO ELECTRONICS NEDERLAND B.V. 's-HERTOGENBOSCH, THE NETHERLANDS
DIMENSIONS: mm	TOLERANCES UNLESS OTHERWISE SPECIFIED: 0 PLC ±0,3 1 PLC ±0,3 2 PLC ±0,3 3 PLC ±, 4 PLC ±, ANGLES ±5 FINISH	PRODUCT SPEC 108-15174 APPLICATION SPEC WEIGHT - CUSTOMER DRAWING	NAME SMART CARD READER WITH RIBBON CABLE 16 POSITIONS SIZE A2 CAGE CODE 00779 DRAWING NO G-5953616 RESTRICTED TO - SCALE 1:1 SHEET 1 OF 2 REV A

THIS DRAWING IS UNPUBLISHED. RELEASED FOR PUBLICATION
 © COPYRIGHT - BY TYCO ELECTRONICS CORPORATION. ALL RIGHTS RESERVED.

LOC	DIST	REVISIONS					
H	-	P	LTR	DESCRIPTION	DATE	DWN	APVD
		-		SEE SHEET 1	-	-	-



ELECTRICAL DIAGRAM



RECOMMENDED LAYOUT
 CONNECTOR SIDE
 BOARD THICKNESS : 1.57mm
 POSITION TOLERANCE FOR ALL HOLES ± 0.1

<small>THIS DRAWING IS A CONTROLLED DOCUMENT FOR TYCO ELECTRONICS CORPORATION IT IS SUBJECT TO CHANGE AND THE CONTROLLING ENGINEERING ORGANIZATION SHOULD BE CONTACTED FOR THE LATEST REVISION.</small>		DWN R. Coolen 29-Nov-04 CHK W. Jansen APVD P. Jaeger	tyco Electronics TYCO ELECTRONICS NEDERLAND B.V. 's-HERTOGENBOSCH, THE NETHERLANDS
DIMENSIONS: mm	TOLERANCES UNLESS OTHERWISE SPECIFIED: 0 PLC ± 1 PLC ±0.5 2 PLC ±0.13 3 PLC ±0.013 4 PLC ±0.0001 ANGLES ±	PRODUCT SPEC 108-15174 APPLICATION SPEC - WEIGHT - CUSTOMER DRAWING	NAME SMART CARD READER WITH RIBBON CABLE 16 POSITIONS SIZE A2 CAGE CODE 00779 DRAWING NO. C-5953616 RESTRICTED TO - SCALE 1:1 SHEET 2 OF 2 REV A