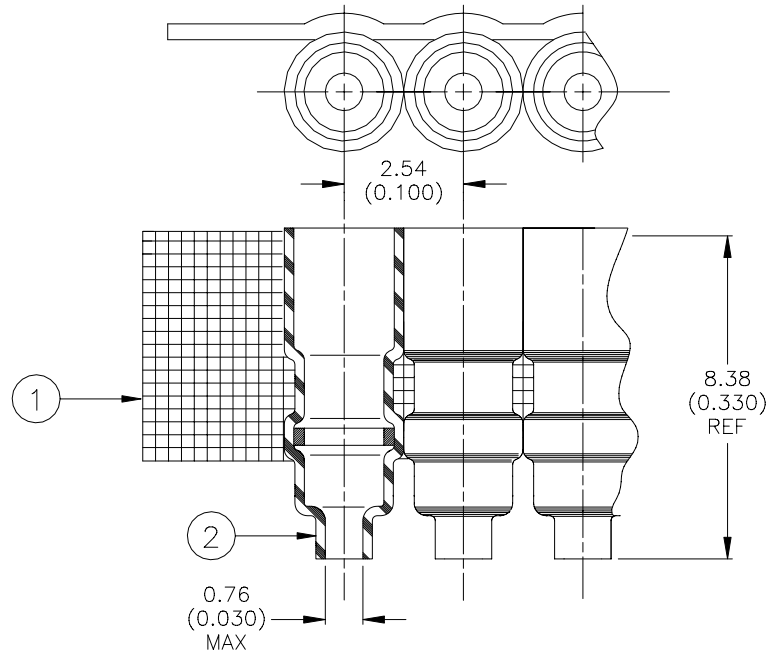


SPECIFICATION CONTROL DRAWING



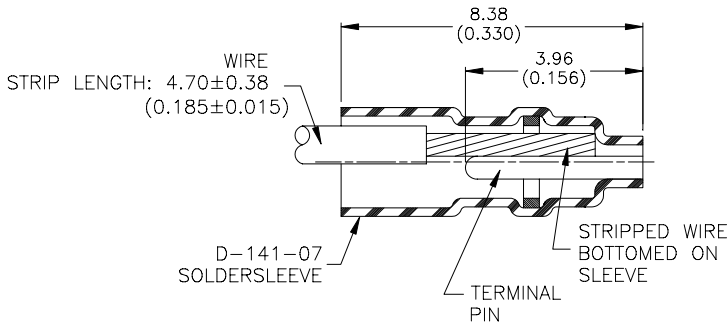
MATERIALS

1. SOLDERSLLEEVE: D-141-07. Quantity Per Assembly: 1000
2. CARRIER STRIP: Adhesive Coated High Temperature Tape

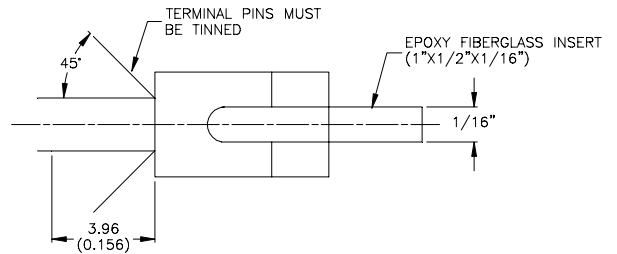
APPLICATION

1. This part is designed for used on Cinch "Tykon" miniature connector 255-20-30-200.
2. Sleeves are to be installed using Rayclad AD-1309 wire assembly fixture and IR-1005 infrared heater.
3. The carrier strip is to be removed upon completion of termination.

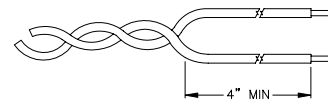
Sleeve and Terminal Assembly



Terminal Configuration



Untwist and Straighten Length



tyco <i>Electronics</i>	Raychem	Tyco Electronics Corporation 300 Constitutional Drive Menlo Park, CA 94025 USA	TITLE: SOLDERPAK ASSEMBLY, CINCH "TYKON" SERIES 255-XX-30-200 ALTERNATE PINS				
UNLESS OTHERWISE SPECIFIED DIMENSIONS ARE IN MILLIMETERS. INCHES DIMENSIONS ARE BETWEEN BRACKETS.			DOCUMENT NO.: D-711-00				
TOLERANCES: 0.00 N/A 0.0 N/A 0 N/A	ANGLES: N/A ROUGHNESS IN MICRON	Tyco reserves the right to amend this drawing at any time. Users should evaluate the suitability of the product for their application.	DATE: 18-July-00	DOC ISSUE: 1			
DRAWN BY: M. FORONDA	CAGE CODE: 06090	REPLACES: N/A	DCR NUMBER: D000403	PROD. REV.: D	SCALE: None	SIZE: A	SHEET: 1 of 1

If this document is printed it becomes uncontrolled. Check for the latest revision.