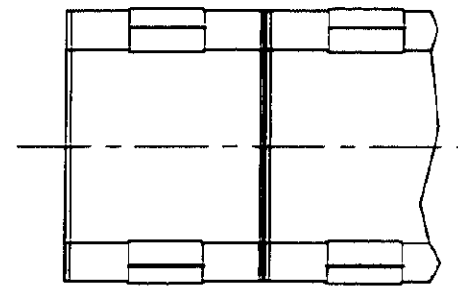
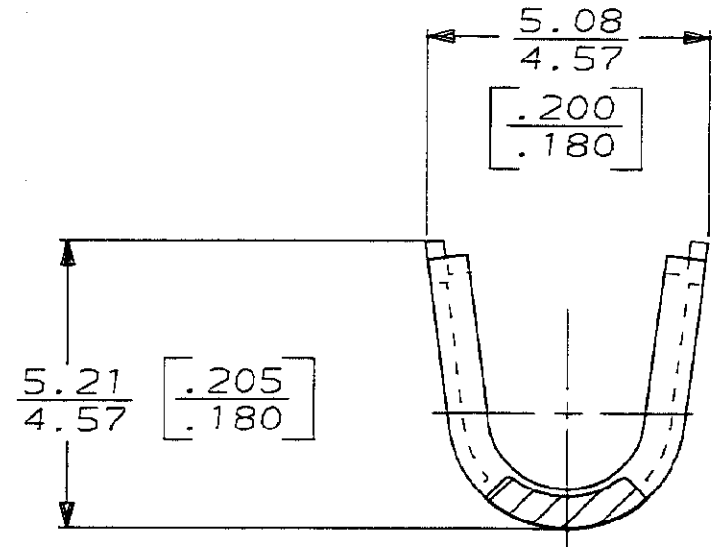
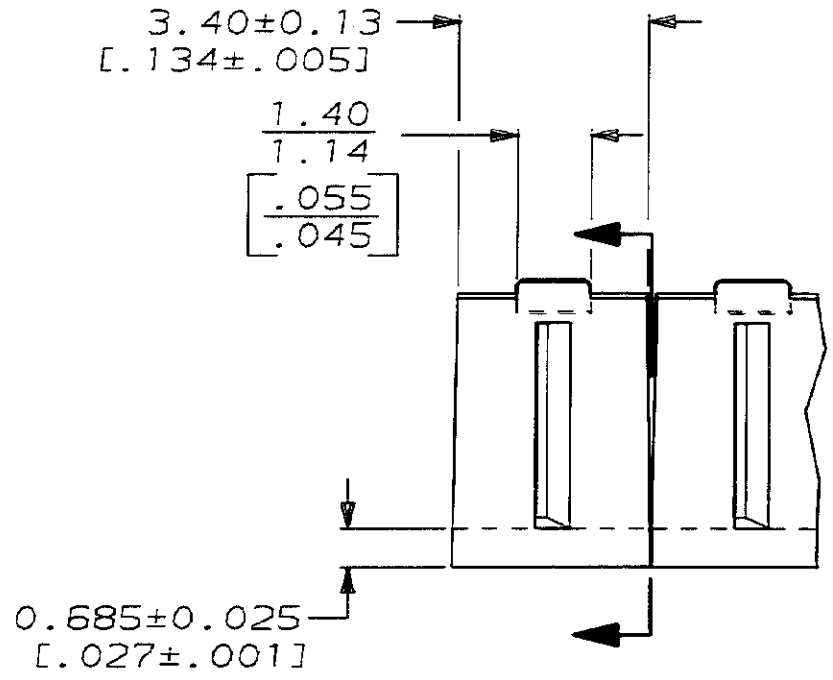


THIS DRAWING IS UNPUBLISHED. RELEASED FOR PUBLICATION .19
© COPYRIGHT 19 BY AMP INCORPORATED. ALL INTERNATIONAL RIGHTS RESERVED.

LOC	DIST	P	F	ZONE	LTR	DESCRIPTION	DATE	APPD
AF	00				0	REL PER AF-7204	1/18/91	PF/DS



1 CONTINUOUS STRIP ON REELS.



METRIC

40864
PART NO

DO NOT SCALE PRINT. UNLESS SPECIFIED DIMENSIONS IN mm [INCHES] TOLERANCES ON: 2 PLC DEC ± 0.25 [.010] 3 PLC DEC ± - ANGLES ± -	DR 1/14/91 P FORTNEY	AMP AMP Incorporated Harrisburg, PA 17105-3608
	CHK 1/14/91 MS FEHER	
MATERIAL #1 HARD BRASS	APPD 1/16/91 D SCHWENK	NAME SPLICE, RESISTOR
FINISH -	APPD 1/17/91 R WEAVILL	SIZE B
	PRODUCT SPEC -	CAGE CODE 00779
	APPLICATION SPEC -	DRAWING NO 40864
	WEIGHT -	SCALE 8:1
		SHEET 1 OF 1