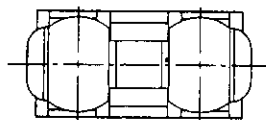
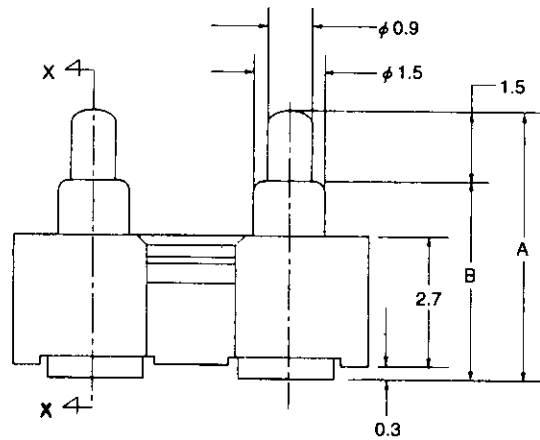
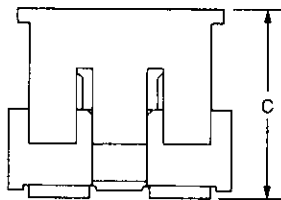
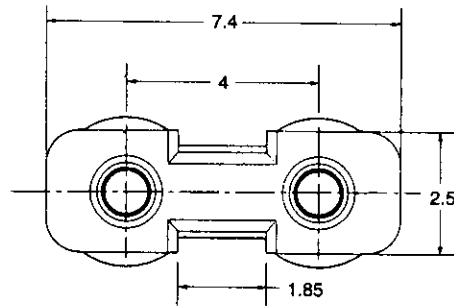
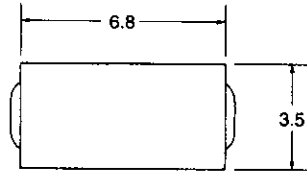


Special Connectors

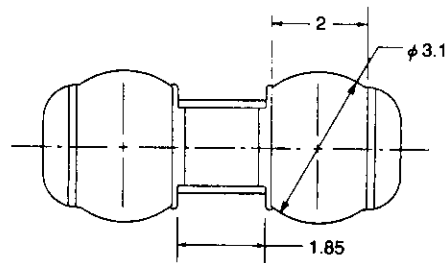
Spring Probe Connectors

2Position, SMT

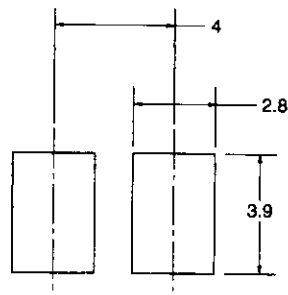
Material and Finish :
 Housing — Thermoplastic
 Probe Pin — Brass, gold plated on nickel plated
 Full Stroke — 1.5mm



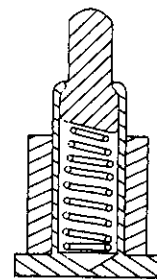
Cap-on state



Part Numbers	Dimensions		
	A	B	C
900795-1	5.7	4.2	6.4
900791-1	5.0	3.5	6.4



PC Board Layout



Section X-X