



Six Position

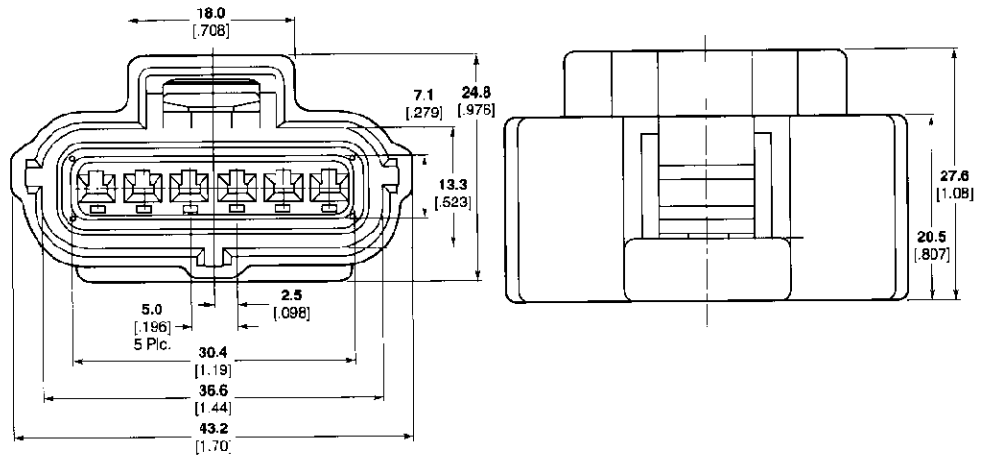
Plug Assemblies

Material and Finish:

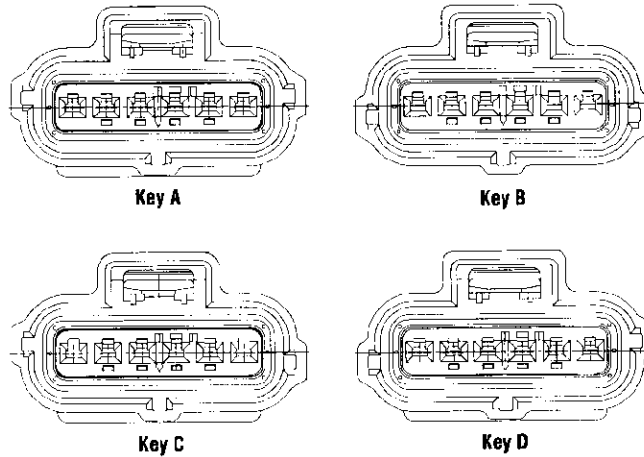
Housing—Glass-filled PBT
Standard Temp. 125°C

Seal Ring—Silicone

Double-Lock Plate—PBT, yellow



Keying Options



Type	Keying	Color	Additional Notes	Part Number
Plug Assembly	A	Black	Circuits #1 and #6 are Blocked	184026-1
Plug Assembly	A	Black		184060-1
Plug Assembly	A	Black	Circuit #6 Blocked	184313-1
Plug Assembly	A	Black	Circuit #4 Blocked	184318-1
Plug Assembly	B	Black		184124-1
Plug Assembly	B	Black	Circuits #1 and #6 Blocked	184132-1
Plug Assembly	C	Black		184126-1
Plug Assembly	C	Black	Circuits #1 and #6 Blocked	184134-1
Plug Assembly	D	Black		184128-1
Plug Assembly	D	Black	Circuits #1 and #6 Blocked	184136-1